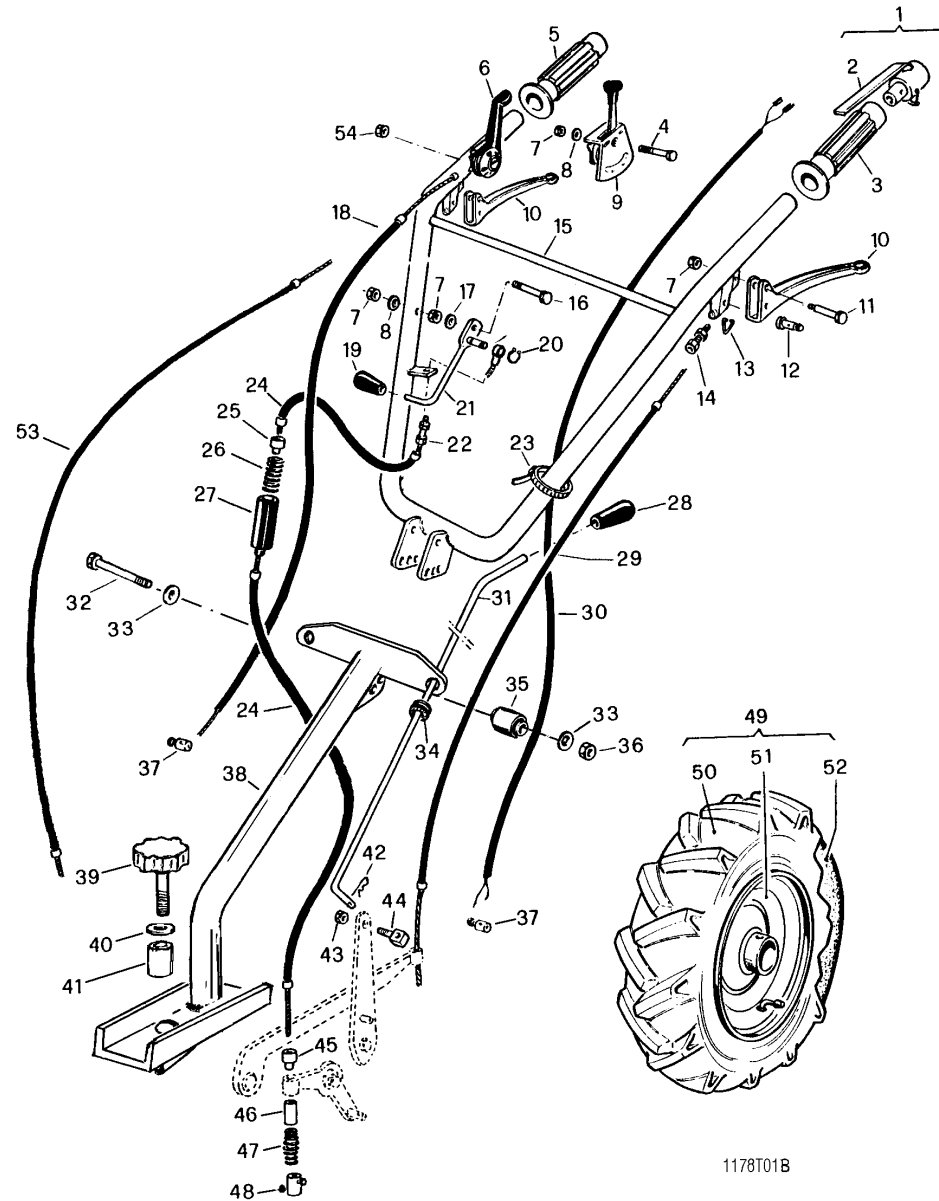


Mod. 1178.  
ELENCO PARTI DI RICAMBIO  
SPARE PARTS LIST  
LISTE DES PIECES DE RECHANGE  
ERSATZTEILLISTE

Tab. 1 - STEGOLE DI GUIDA - HANDLEBARS - MANCHERONS - STERZ .....	Rev. 9407
Tab. 2 - CARTER - CASE - CARTER - GEHÄUSE .....	Rev. 9407
Tab. 3 - TRASMISSIONE - SHAFTING - TRANSMISSION- TRANSMISSION .....	Rev. 9407
Tab. 4 - GRUPPO FRIZIONE - GRUPPO FRIZIONE - CLUTCH ASS.Y - EMBRAYAGE COMPLET - KUPPLUNGSGRUPPE .....	Rev. 9407
Tab. 5 - GRUPPO FRESA - TILLER - FRAISE - FRÄSE .....	Rev. 9407
Tab. 6 - AZIONAMENTO BARRA FALCIANTE - BAR MOVEMENT - MOUVEMENT DE LA BARRE - MÄHBALKEN BETRIEB .....	Rev. 9407

Tab. 1 – STEGOLE DI GUIDA – HANDLEBARS – MANCHERONS – FÜHRUNGSHOLM



1178T01B

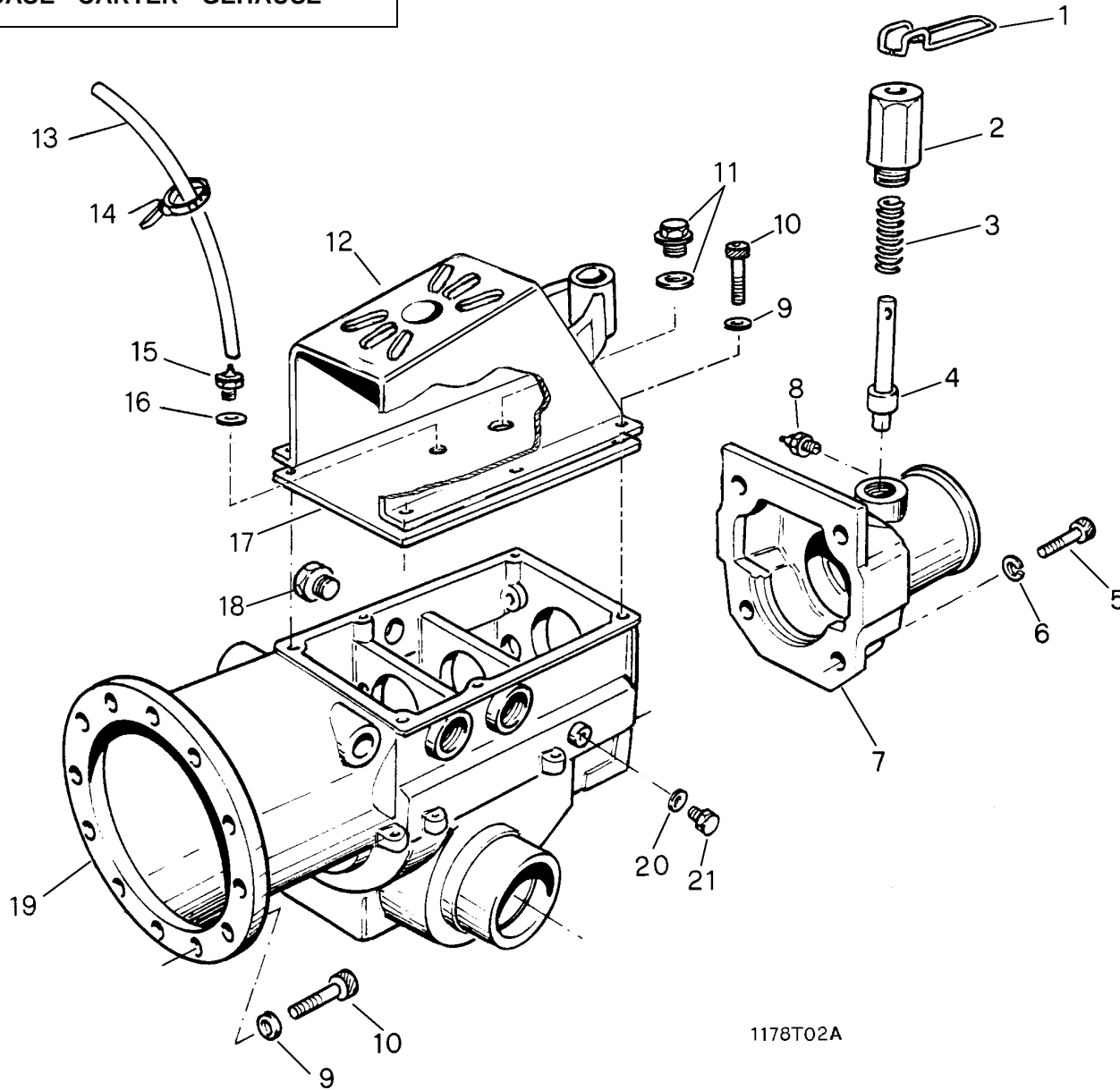
**Tab. 1 - STEGOLE DI GUIDA - HANDLEBARS - MANCHERONS - FÜHRUNGSHOLM**

REF.	Q.	COD.	DESCRIZIONE	DESCRIPTION	DESCRIPTION	BENENNUNG
01	01	14660239	DISPOS. MOTORSTOP (Benz.)	MOTORSTOP, ASS.Y (Gasoline)	MOTORSTOP COMPLET (Ess.)	MOTORSTOP KOMP. (Benzin)
02	01	14660225	LEVA MOTORSTOP (Benzina)	LEVER (Gasoline)	LEVIER (Essence)	HEBEL (Benzin)
03	01	14680369	MANOPOLA MOTORSTOP	GRIP, MOTORSTOP	POIGNEE MOTORSTOP	MOTORSTOP GRIFF
04	01	19952616	VITE (Briggs & Stratton)	SCREW (Briggs & Stratton)	VIS (Briggs & Stratton)	SCHRAUBE (Briggs & Stratton)
05	01	14680363	MANOPOLA	GRIP	POIGNEE	GRIF
06			MANETTINO GAS	THROTTLE LEVER	ACCELERATEUR	GASHEBEL
07	—	19954253	DADO	NUT	ECROU	MUTTER
08	—	19955051	RONDELLA	PLAIN WASHER	RONDELLE	SCHEIBE
09	01	14660404	ACCELERATORE (B. & S.)	THROTTLE (B.&S.)	ACCELERATEUR (B. & S.)	GASHEBEL (B. & S.)
10	02	14660221	LEVA	LEVER	LEVIER	HEBEL
11	02	14660235	VITE	SCREW	VIS	SCHRAUBE
12	02	14660241	MORSETTO	CLAMP	SERRE-CABLE	SEILKLEMME
13	02	14660233	BLOCCAGGIO	LOCK	BLOC	BLOCKIERUNG
14	02	14660260	VITE REGISTRO	SCREW, ADJUSTMENT	VIS DE REGLAGE	STELLSCHRAUBE
15	01	15765123	STEGOLE A DUE LEVE	HANDLEBARS, TWO LEVERS	MANCHERONS À DEUX LEVIER	FÜHRUNGSHOLM
16	01	15765081	VITE	SCREW	VIS	SCHRAUBE
17	01	19955406	RONDELLA	PLAIN WASHER	RONDELLE	SCHEIBE
18			TRASMISSIONE	WIRE, ASS.Y	CABLE COMPLET	SEILZUG KOMPLETT
19	01	14660181	POMELLO	KNOB	BOUTON	KNEBELGRIFF
20	01	19955508	ANELLO ELASTICO	LOCKRING	ARRETOIR	SICHERUNGSRING
21	01	15225061	LEVA	LEVER	LEVIER	HEBEL
22	01	14660257	VITE REGISTRO	SCREW, ADJUSTMENT	VIS DE REGLAGE	STELLSCHRAUBE
23	02	14680801	FASCETTA	COLLAR	COLLIER	SCHLAUCHKLEMME
24	01	14660523	TRASMISSIONE (Retromarcia)	WIRE, ASS.Y (Reverse Speed)	CABLE COMP. (Marche Arriere)	SEILZUG KOMP. (Rückswärt)
25	01	14660232	BARILOTTO	BUSHING	BARILLET	ZYLINDER
26	01	15001044	MOLLA	SPRING	RESSORT	FEDER
27	01	15215253	BUSSOLA	BUSH	DOUILLE	BÜCHSE
28	02	14660180	POMELLO	KNOB	BOUTON	KNEBELGRIFF
29	01	14660519	TRASMISSIONE FRIZIONE	CLUTCH WIRE ASS.Y	CABLE COMPLET	SEILZUG KOMPLETT
30	01	14670102	TRASSMISS. MOTORST. (Benzin.)	ELECTRIC WIRE MOT. (Gas.)	CABLE ELECTRIQUE MOT. (Ess.)	ELEKTRISCHE KABEL M. (Benz.)
31	01	15765066	ASTA	ROD	TIGE	STANGE
32	02	19952643	VITE	SCREW	VIS	SCHRAUBE
33	04	19955022	RONDELLA	PLAIN WASHER	RONDELLE	SCHEIBE
34	02	14680103	GOMMINO	RUBBER	CAOUTCHOUC	GUMMI
35	02	14680406	SILENTBLOCK	SILENTBLOCK	SILENTBLOCK	SILENTBLOCK
36	02	19954208	DADO	NUT	ECROU	MUTTER
37			MORSETTO	CLAMP	SERRE-CABLE	SEILKLEMME
38	01	15765088	PIANTONE ATTACCO STEGOLE	STEERING COLUMN	TUBE DE DIRECTION	LENKWELLE
39	—	14660188	VITE	SCREW	VIS	SCHRAUBE
40	—	19955276	ROSETTA ELASTICA	SPRING WASHER	RONDELLE ELASTIQUE	FEDERSCHEIBE
41	01	15765122	DISTANZIALE	SPACER	ENTRETOISE	DISTANZSTUCK
42	02	15001081	SPINA A MOLLA	SPRING CLIP	GOUPILLE RAPIDE	VORSTECKER
43	01	19954254	DADO	NUT	ECROU	MUTTER

**Tab. 1 - STEGOLE DI GUIDA - HANDLEBARS - MANCHERONS - FÜHRUNGSHOLM**

REF.	Q.	COD.	DESCRIZIONE	DESCRIPTION	DESCRIPTION	BENENNUNG
44	01	15545057	PERNO	PIN	AXE	BOLZEN
45	01	14660250	BUSSOLA	BUSH	DUILLE	BÜCHSE
46	01	15765079	DISTANZIALE	SPACER	ENTRETOISE	DISTANZSTUCK
47	01	15765080	MOLLA	SPRING	RESSORT	FEDER
48	01	14660243	MORSETTO	CLAMP	SERRE-CABLE	SEILKLEMME
49	02	12320411	RUOTA (3.50x6")	WHEEL R.H. (3.50x6")	ROUE D. (3.50x6")	RAD R. (3.50x6")
50	02	14685511	PNEUMATICO (3.50x6")	TYRE (3.50x6")	PNEU (3.50x6")	BEREIFUNG (3.50x6")
51	02	14600411	DISCO RUOTA (3.50x6")	RIM (3.50x6")	JANTE (3.50x6")	FELGE (3.50x6")
52	02	14684411	CAMERA D'ARIA (3.50x6")	TUBE (3.50x6")	CHAMBRE A AIR (3.50x6")	SCHLAUCH (3.50x6")
53	01	14660521	TRASMISSIONE	WIRE, ASS.Y	CABLE COMPLET	SEILZUG KOMPLETT
54	01	19954206	DADO	NUT	ECROU	MUTTER

Tab. 2 – CARTER - CASE - CARTER - GEHÄUSE

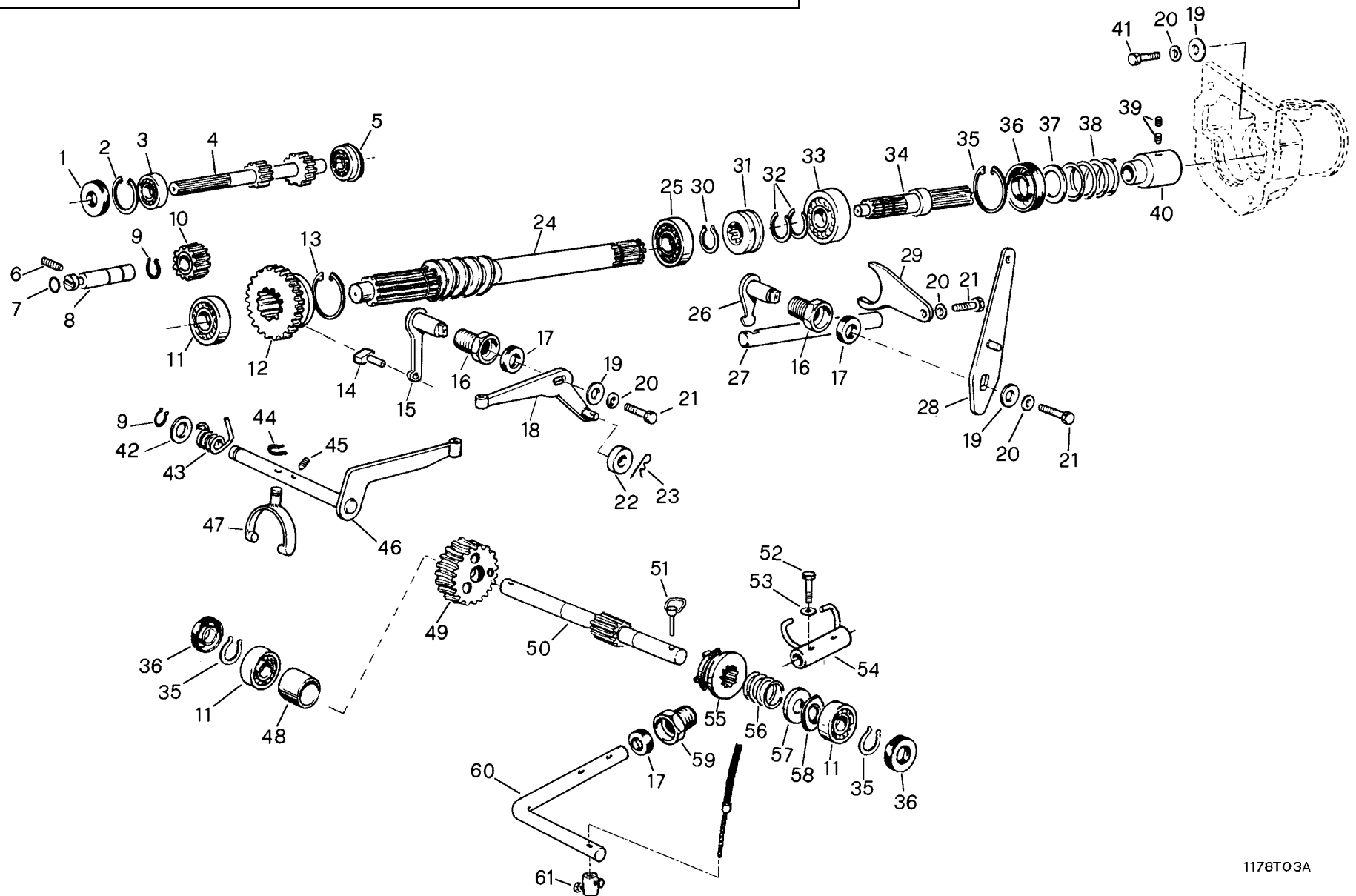


1178T02A

**Tab. 2 - CARTER - CASE - CARTER - GEHÄUSE**

REF.	Q.	COD.	DESCRIZIONE	DESCRIPTION	DESCRIPTION	BENENNUNG
01	01	15755049	MOLLA	SPRING	RESSORT	FEDER
02	01	15755058	BOCCOLA	BUSH	DOUILLE	BÜCHSE
03	01	15001035	MOLLA	SPRING	RESSORT	FEDER
04	01	15755059	PERNO	PIN	AXE	BOLZEN
05	04	19952129	VITE	SCREW	VIS	SCHRAUBE
06	04	19955274	ROSETTA ELASTICA	SPRING WASHER	RONDELLE ELASTIQUE	FEDERSCHEIBE
07	01	15761003	COPERCHIO	COVER	COUVERCLE	DECKEL
08	01	19956203	INGRASSATORE	GREASE NIPPLE	GRAISSEUR	SCHMIERNIPPEL
09	—	19955308	ROSETTA ELASTICA	SPRING WASHER	RONDELLE ELASTIQUE	FEDERSCHEIBE
10	—	19952128	VITE	SCREW	VIS	SCHRAUBE
11	01	14660110	TAPPO	PLUG	BOUCHON	STOPFEN
12	01	15765083	SUPPORTO PIANTONE	SUPPORT	SUPPORT	HALTERUNG
13	01	15766001	TUBO SFIATO	HOSE	TUYAU	ROHR
14	01	14680801	FASCETTA	STRAP	COLLIER	HALTERBAND
15	01	15045059	RACCORDO	NIPPLE	EMBOUT	NIPPLE
16	02	19956167	GUARNIZIONE	GASKET	JOINT	DICHTUNG
17	01	15765084	COPERCHIO CARTER	COVER	COUVERCLE	DECKEL
18	01	15005007	TAPPO	PLUG	BOUCHON	STOPFEN
19	01	15762002	CARTER CAMBIO	CASE	CARTER	GEHÄUSE
20	01	19956164	GUARNIZIONE	GASKET	JOINT	DICHTUNG
21	01	19952705	VITE	SCREW	VIS	SCHRAUBE

Tab. 3 – TRASMISSIONE – SHAFTING – TRANSMISSION – TRANSMISSION



**Tab. 3 – TRASMISSIONE – SHAFTING – TRANSMISSION – TRANSMISSION**

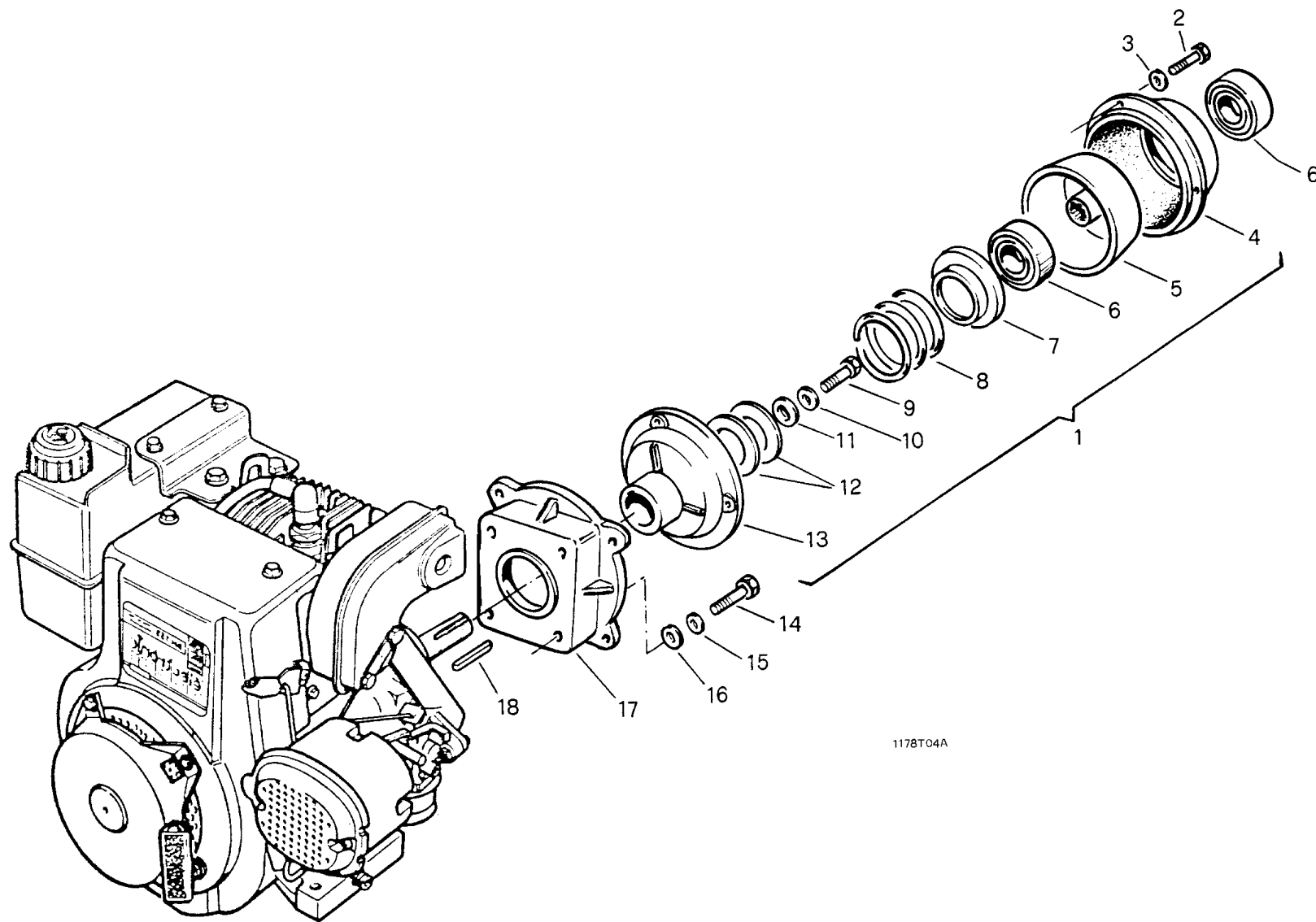
REF.	Q.	COD.	DESCRIZIONE	DESCRIPTION	DESCRIPTION	BENENNUNG
01	01	19922061	ANELLO DI TENUTA	SEAL RING	BAGUE D'ETANCHEITE	DICHTRING
02	01	19955635	ANELLO ELASTICO	LOCKRING	ARRETOIR	SICHERUNGSRING
03	01	19900311	CUSCINETTO	BEARING	ROULEMENT	LAGER
04	01	15764010	ALBERO	SHAFT	ARBRE	WELLE
05	01	19900313	CUSCINETTO	BEARING	ROULEMENT	LAGER
06	01	19952534	VITE	SCREW	VIS	SCHRAUBE
07	01	19923090	ANELLO OR	O RING	BAGUE DE CAOTCHOU	O-RING
08	01	15764013	ALBERO	SHAFT	ARBRE	WELLE
09	02	19955514	ANELLO ELASTICO	LOCKRING	ARRETOIR	SICHERUNGSRING
10	01	15764026	INGRANAGGIO	GEAR	PIGNON	ZAHNRAD
11	03	19900326	CUSCINETTO	BEARING	ROULEMENT	LAGER
12	01	15764011	INGRANAGGIO	GEAR	PIGNON	ZAHNRAD
13	01	19955530	ANELLO ELASTICO	LOCKRING	ARRETOIR	SICHERUNGSRING
14	01	15204037	PATTINO	SLIDING SHOE	PATIN	GLEITSTÜCK
15	01	15765008	LEVA	LEVER	LEVIER	HEBEL
16	02	15765058	BUSSOLA	BUSH	DUILLE	BÜCHSE
17	03	19922066	ANELLO DI TENUTA	SEAL RING	BAGUE D'ETANCHEITE	DICHTRING
18	01	15765043	LEVA EST. CAMBIO	LEVER	LEVIER	HEBEL
19	03	19955009	RONDELLA	PLAIN WASHER	RONDELLE	SCHEIBE
20	04	19955408	ROSETTA ELASTICA	SPRING WASHER	RONDELLE ELASTIQUE	FEDERSCHEIBE
21	03	19952721	VITE	SCREW	VIS	SCHRAUBE
22	01	10005003	DISTANZIALE	SPACER	ENTRETOISE	DISTANZSTÜCK
23	01	15001081	SPINA A MOLLA	SPRING CLIP	GOUPILLE RAPIDE	VORSTECKER
24	01	15764047	VITE SENZA FINE	WORM SCREW	VIS SANS FIN	ENDLOSSCHRAUBE
25	01	19900523	CUSCINETTO	BEARING	ROULEMENT	LAGER
26	01	15765005	LEVA	LEVER	LEVIER	HEBEL
27	01	15765029	ALBERO	SHAFT	ARBRE	WELLE
28	01	15765041	LEVA ESTERNA	LEVER	LEVKER	HEBEL
29	01	15765007	FORCELLA	FORK	FOURCHE	GABEL
30	01	15765045	MOLLA	SPRING	RESSORT	FEDER
31	01	15764027	MANICOTTO	FITTING	MANCHON	MUFFE
32	01	19955520	ANELLO ELASTICO	LOCKRING	ARRETOIR	SICHERUNGSRING
33	01	19900521	CUSCINETTO	BEARING	ROULEMENT	LAGER
34	01	15764012	ALBERO	SHAFT	ARBRE	WELLE
35	03	19955652	ANELLO ELASTICO	LOCKRING	ARRETOIR	SICHERUNGSRING
36	03	19922174	ANELLO DI TENUTA	SEAL RING	BAGUE D'ETANCHEITE	DICHTRING
37	04	19956029	SPESSORE	SHIM	CALE D'EPAISSEUR	DISTANZSCHEIBE
38	01	15001010	MOLLA	SPRING	RESSORT	FEDER
39	02	19952520	VITE	SCREW	VIS	SCHRAUBE
40	01	15544023	BOCCOLA	BUSH	DOUILLE	BÜCHSE
41	01	19952715	VITE	SCREW	VIS	SCHRAUBE
42	01	19956008	SPESSORE	SHIM	CALE D'EPAISSEUR	DISTANZSCHEIBE
43	01	15765056	MOLLA	SPRING	RESSORT	FEDER



**Tab. 3 – TRASMISSIONE – SHAFTING – TRANSMISSION – TRANSMISSION**

REF.	Q.	COD.	DESCRIZIONE	DESCRIPTION	DESCRIPTION	BENENNUNG
44	01	19955508	ANELLO ELASTICO	LOCKRING	ARRETOIR	SICHERUNGSRING
45	01	19952510	VITE	SCREW	VIS	SCHRAUBE
46	01	15765044	LEVA (FRIZIONE)	LEVER (CLUTCH)	LEVIER (EMBAYAGE)	HEBEL (KUPPLUNG)
47	01	15053048	FORCELLA	FORK	FOURCHE	GABEL
48	01	15765110	DISTANZIALE	SPACER	ENTRETOISE	DISTANZSTÜCK
49	01	15764048	CORONA IN BRONZO	RING GEAR	COURONNE DENTEE	ZAHNKRANZ
50	01	15544085	ALBERO RUOTE	SHAFT	ARBRE	WELLE
51	02	15001108	SPINA A MOLLA	SPRING CLIP	GOUPILLE RAPIDE	VORSTECKER
52	01	19952713	VITE	SCREW	VIS	SCHRAUBE
53	01	19955305	RONDELLA	PLAIN WASHER	RONDELLE	SCHEIBE
54	01	15765009	FORCELLA	FORK	FOURCHE	GABEL
55	01	15764087	INNESTO RUOTE	DOG-CLAW	CLABOT	SCHIEBEKUPPLUNG
56	01	15545044	MOLLA	SPRING	RESSORT	FEDER
57	01	19956037	SPESSORE	SHIM	CALE D'EPAISSEUR	DISTANZSCHEIBE
58	01	19956049	SPESSORE	SHIM	CALE D'EPAISSEUR	DISTANZSCHEIBE
59	01	15765057	BOCCOLA	BUSH	DOUILLE	BÜCHSE
60	01	15765059	LEVA	LEVER	LEVIER	HEBEL
61	01	14660243	MORSETTO DOPPIO	CLAMP	SERRE-CABLE	SEILKLEMME

Tab. 4 – GRUPPO FRIZIONE – GRUPPO FRIZIONE – CLUTCH ASS.Y – EMBRAYAGE COMPLET – KUPPLUNGSGRUPPE

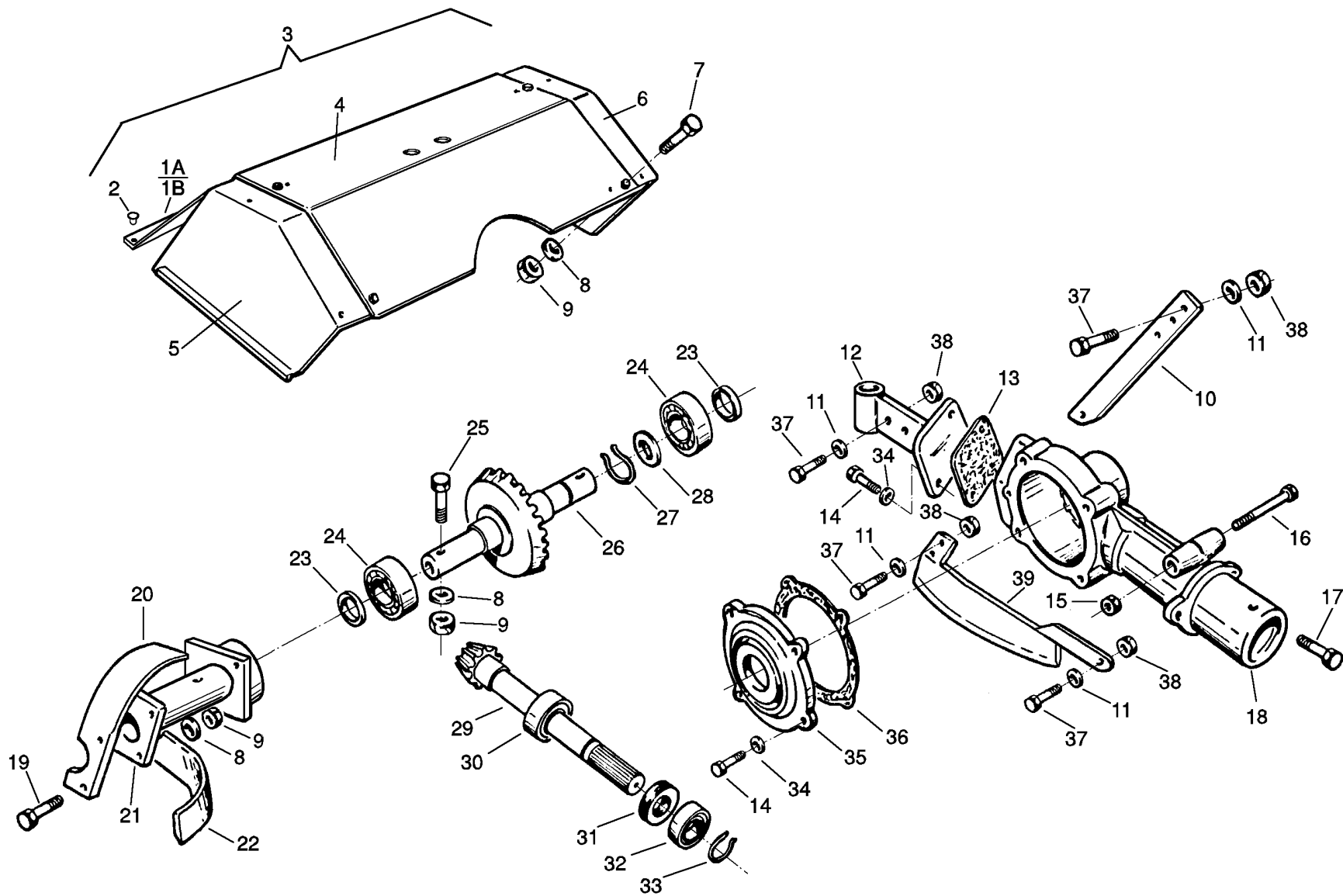


1178T04A

**Tab. 4 – GRUPPO FRIZIONE – GRUPPO FRIZIONE – CLUTCH ASS.Y – EMBRAYAGE COMPLET – KUPPLUNGSGRUPPE**

REF.	Q.	COD.	DESCRIZIONE	DESCRIPTION	DESCRIPTION	BENENNUNG
01	01	12335705	GRUPPO FRIZIONE	CLUTCH ASS.Y	EMBRAYAGE COMPLET	KUPPLUNGSGRUPPE
02	03	19952127	VITE	SCREW	VIS	SCHRAUBE
03	03	19955306	RONDELLA	PLAIN WASHER	RONDELLE	SCHEIBE
04	01	15052044	CAMPANA FRIZIONE	CLUTCH PLATE	CLOCHE D'EMBAYAGE	ANTRIEBSGLOCKE
05	01	15053045	CAMPANA CONDOTTA	DRIVEN PLATE	CLOCHE ENTRAINEE	ANDRIEBSGLOCKE
06	02	19900222	CUSCINETTO	BEARING	ROULEMENT	LAGER
07	01	15055046	BOCCOLA	BUSH	DOUILLE	BÜCHSE
08	01	15575029	MOLLA	SPRING	RESSORT	FEDER
09	01	19950106	VITE	SCREW	VIS	SCHRAUBE
10	02	19955408	RONDELLA	PLAIN WASHER	RONDELLE	SCHEIBE
11	01	19955009	RONDELLA	PLAIN WASHER	RONDELLE	SCHEIBE
12	02	19956059	SPESSORE	THICKNESS	CALE D'EPAISSEUR	DISTANZSCHEIBE
13	01	15542039	CAMPANA FRIZIONE	CLUTCH PLATE	CLOCHE D'EMBAYAGE	ANTRIEBSGLOCKE
14	04	19950105	VITE	SCREW	VIS	SCHRAUBE
15	04	19955308	RONDELLA ELASTICA	SPRING WASHER	RONDELLE ELASTIQUE	FEDERSCHEIBE
16	04	19955063	RONDELLA	PLAIN WASHER	RONDELLE	SCHEIBE
17	01	15572005	FLANGIA	FLANGE	BRIDE	FLANSCH
18	01	19956347	LINGUETTA	SPLINE	CLAVETTE	KEIL

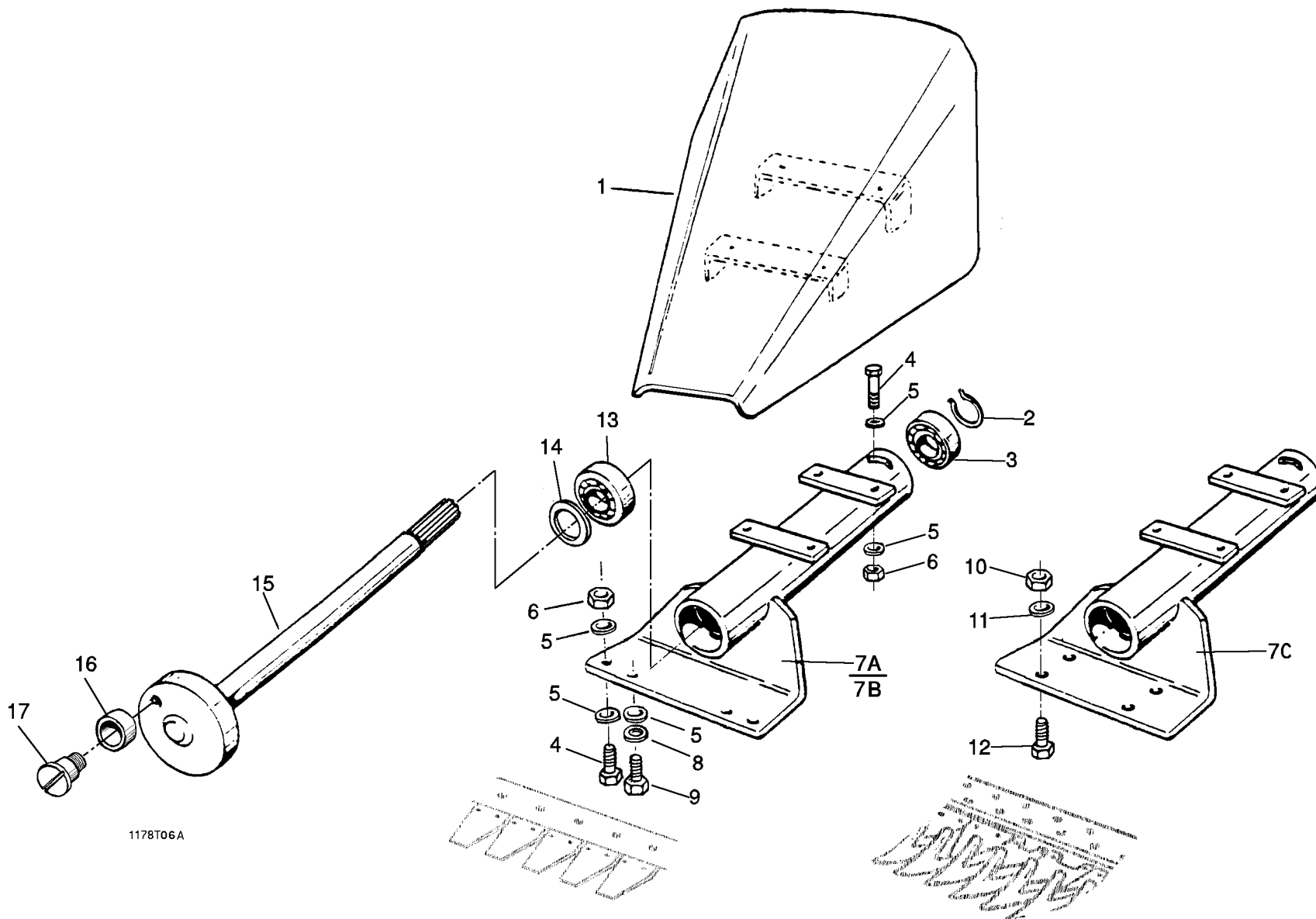
Tab. 5 - GRUPPO FRESA - TILLER - FRAISE - FRÄSE



**Tab. 5 – GRUPPO FRESA - TILLER - FRAISE - FRÄSE**

REF.	Q.	COD.	DESCRIZIONE	DESCRIPTION	DESCRIPTION	BENENNUNG
01a	01	15785050	PANNELLO DX	PANEL (R.H.)	PANNEAU DROITE	TAFEL RECHTS
01b	01	15785051	PANNELLO SX	PANEL (L.H.)	PANNEAU GAUCHE	TAFEL LINKS
02	02	14680600	PARACOLPI	BUFFER	BOUTOIR	PUFFER
03	01	15785052	COFANO cm 50 REG.	COVER, ADJ., cm 50	COFFRE cm 50 REG.	HAUBE cm 50 EINSTELLBAR
04	01	15785053	COFANO CENTR.	COVER, TOP	COFFRE MOYEN	MITTELHAUBE
05	01	15785054	PANNELLO LATERALE DX	SIDE PANEL (R.H.)	PANNEAU LATERAL DROITE	SEITENTAFEL RECHTS
06	01	15785055	PANNELLO LATERALE SX	SIDE PANEL (L.H.)	PANNEAU LATERAL GAUCHE	SEITENTAFEL LINKS
07	10	19952715	VITE	SCREW	VIS	SCHRAUBE
08	28	19955273	ROSETTA ELASTICA	SPRING WASHER	RONDELLE ELASTIQUE	FEDERSCHEIBE
09	28	19954045	DADO	NUT	ECROU	MUTTER
10	01	15545081	ASTA	ROD	TIGE	STANGE
11	08	19955052	RONDELLA	PLAIN WASHER	RONDELLE	SCHEIBE
12	01	15201006	SUPPORTO	SUPPORT	SUPPORT	HALTERUNG
13	01	15206068	GUARNIZIONE	GASKET	JOINT	DICHTUNG
14	06	19952721	VITE	SCREW	VIS	SCHRAUBE
15	01	19954255	DADO	NUT	ECROU	MUTTER
16	01	19952663	VITE	SCREW	VIS	SCHRAUBE
17	02	19952109	VITE	SCREW	VIS	SCHRAUBE
18	01	15541006	GAMBO	TIGE	TIGE	SCHAFT
19	01	19952729	VITE	SCREW	VIS	SCHRAUBE
20	08	15015057	LAMA SINISTRA	BLADE, LEFT	LAME GAUCHE	KLINGE, LINKS
21	01	15785056	SUPPORTO SENZA LAME	SUPPORT WITHOUT BLADES	SUPPORT SANS LAMES	HALTERUNG OHNE MESSER
22	08	15015058	LAMA DESTRA	BLADE, RIGHT	LAME DROITE	KLINGE, RECHTS
23	01	19921038	ANELLO DI TENUTA	SEAL RING	BAGUE D'ETANCHEITE	DICHTRING
24	01	19900231	CUSCINETTO	BEARING	ROULEMENT	LAGER
25	02	19952617	VITE	SCREW	VIS	SCHRAUBE
26	01	15544042	ALBERO	SHAFT	ARBRE	WELLE
27	01	19955530	ANELLO ELASTICO	LOCKRING	ARRETOIR	SICHERUNGSRING
28	01	19956044	SPESSORE	THICKNESS	CALE D'EPAISSEUR	DISTANZSCHEIBE
29	01	15544040	PIGNONE	PINION	PIGNON	RITZEL
30	01	19901004	CUSCINETTO	BEARING	ROULEMENT	LAGER
31	01	19922115	ANELLO DI TENUTA	SEAL RING	BAGUE D'ETANCHEITE	DICHTRING
32	01	19900222	CUSCINETTO	BEARING	ROULEMENT	LAGER
33	01	19955520	ANELLO ELASTICO	LOCKRING	ARRETOIR	SICHERUNGSRING
34	06	19955408	ANELLO ELASTICO	LOCKRING	ARRETOIR	SICHERUNGSRING
35	01	15201007	COPERCHIO	COVER	COUVERCLE	DECKEL
36	01	15056009	GUARNIZIONE	GASKET	JOINT	DICHTUNG
37	02	19952737	VITE	SCREW	VIS	SCHRAUBE
38	06	19954208	DADO	NUT	ECROU	MUTTER
39	01	15545060	COLTRO	COULTER	COUTRE	PFLUGMESSER

Tab. 6 - AZIONAMENTO BARRA FALCIANTE - BAR MOVEMENT - MOUVEMENT DE LA BARRE - MÄHBALKEN BETRIEB



1178T06A

**Tab. 6 - AZIONAMENTO BARRA FALCIANTE - BAR MOVEMENT - MOUVEMENT DE LA BARRE - MÄHBALKEN BETRIEB**

REF.	Q.	COD.	DESCRIZIONE	DESCRIPTION	DESCRIPTION	BENENNUNG
01	01	15765082	COFANO	COVER	COUVERCLE	HAUBE
02	01	19955520	ANELLO ELASTICO	LOCKRING	ARRETOIR	SICHERUNGSRING
03	01	19900222	CUSCINETTO	BEARING	ROULEMENT	LAGER
04	06	19952729	VITE	SCREW	VIS	SCHRAUBE
05	14	19955052	RONDELLA	PLAIN WASHER	RONDELLE	SCHEIBE
06	06	19954254	DADO	NUT	ECROU	MUTTER
07a	01	15545050	SUPPORTO (ESM)	SUPPORT (ESM)	SUPPORT (ESM)	HALTERUNG (ESM)
07b	01	15545149	SUPPORTO (BARRA NAZ. 82 CM)	SUPPORT (NAZ. 82 CM)	SUPPORT (NAZ. 82 CM)	HALTERUNG (NAZ. 82 CM)
07c	01	15545150	SUPPORTO (BARRA SEMIFITTA)	SUPPORT (SEMIFITTA)	SUPPORT (SEMIFITTA)	HALTERUNG (SEMIFITTA)
08	02	19955273	ROSETTA ELASTICA	SPRING WASHER	RONDELLE ELASTIQUE	FEDERSCHEIBE
09	02	19952721	VITE	SCREW	VIS	SCHRAUBE
10	04	19954255	DADO	NUT	ECROU	MUTTER
11	04	19955053	RONDELLA	PLAIN WASHER	RONDELLE	SCHEIBE
12	04	19952738	VITE	SCREW	VIS	SCHRAUBE
13	01	19900322	CUSCINETTO	BEARING	ROULEMENT	LAGER
14	01	19956029	SPESSORE	THICKNESS	CALE D'EPaisseur	DISTANZSCHEIBE
15	01	15545051	ALBERO	SHAFT	ARBRE	WELLE
16	01	15574048	BOCCOLA	BUSH	DOUILLE	BÜCHSE
17	01	15764117	PERNO	PIN	AXE	BOLZEN