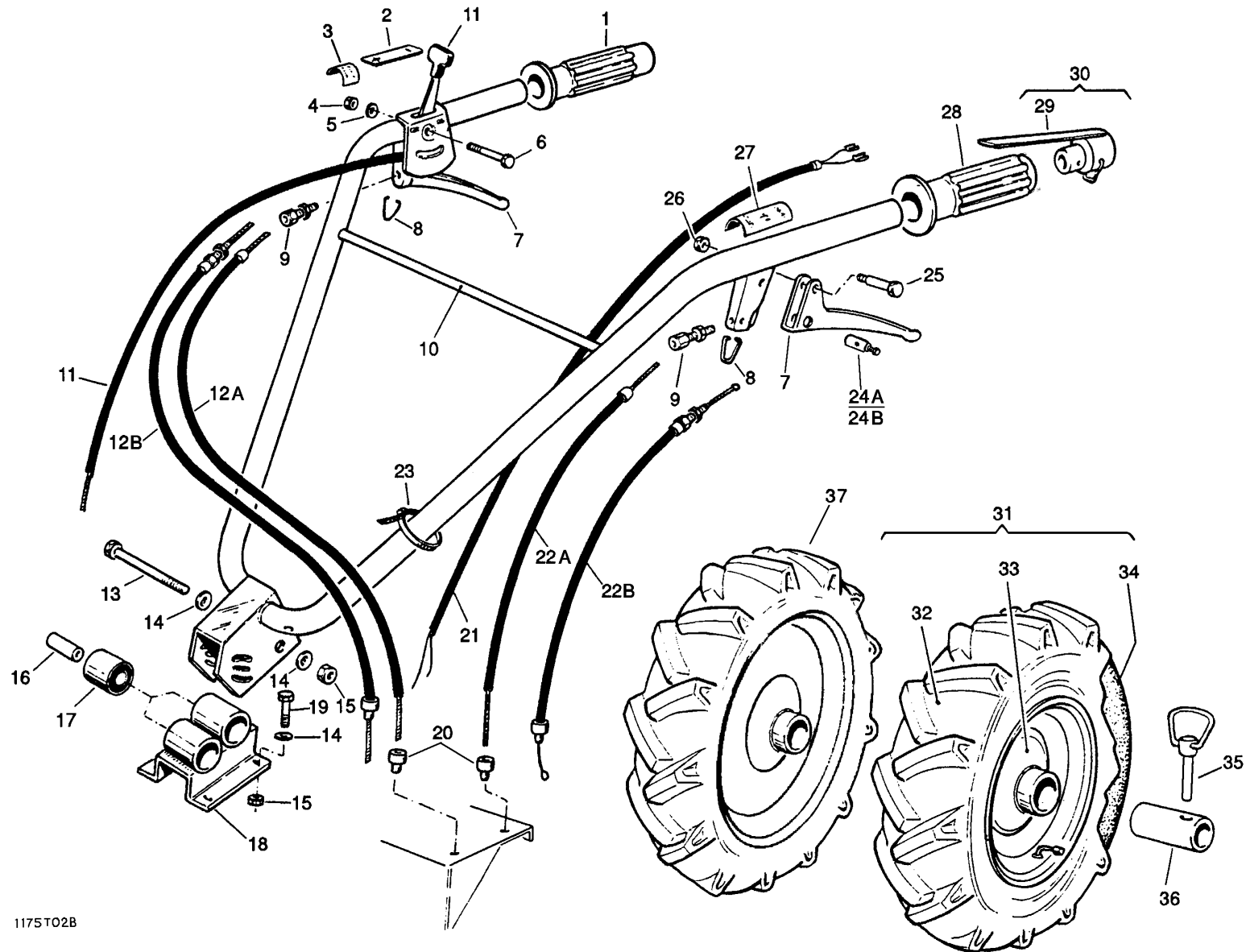


Mod. 1175.
ELENCO PARTI DI RICAMBIO
SPARE PARTS LIST
LISTE DES PIECES DE RECHANGE
ERSATZTEILLISTE

Tab. 1	STEGOLE DI GUIDA - <i>HANDLEBARS</i> - MANCHERONS - <i>FÜHRUNGSHOLM</i>	Rev. 9407
Tab. 2	CARTER - <i>CASE</i> - CARTER - <i>GEHÄUSE</i>	Rev. 9310
Tab. 3	TRASMISSIONE - <i>SHAFTING</i> - TRANSMISSION - <i>TRANSMISSION</i>	Rev. 9310
Tab. 4	GRUPPO FRESA - <i>TILLER</i> - FRAISE - <i>FRÄSE</i>	Rev. 9310
Tab. 5	AZIONAMENTO BARRA FALC. - <i>BAR MOVEMENT</i> - MOUVEMENT DE LA BARRE - <i>MÄHBALKEN BETRIEB</i>	Rev. 9310
Tab. 6	BARRE FALCIANTI - <i>MOWING BARS</i> - BARRES DE COUPE - <i>MÄHBALKEN</i>	Rev. 9310

Tab. 1 – STEGOLE DI GUIDA – HANDLEBARS – MANCHERONS – STERZ

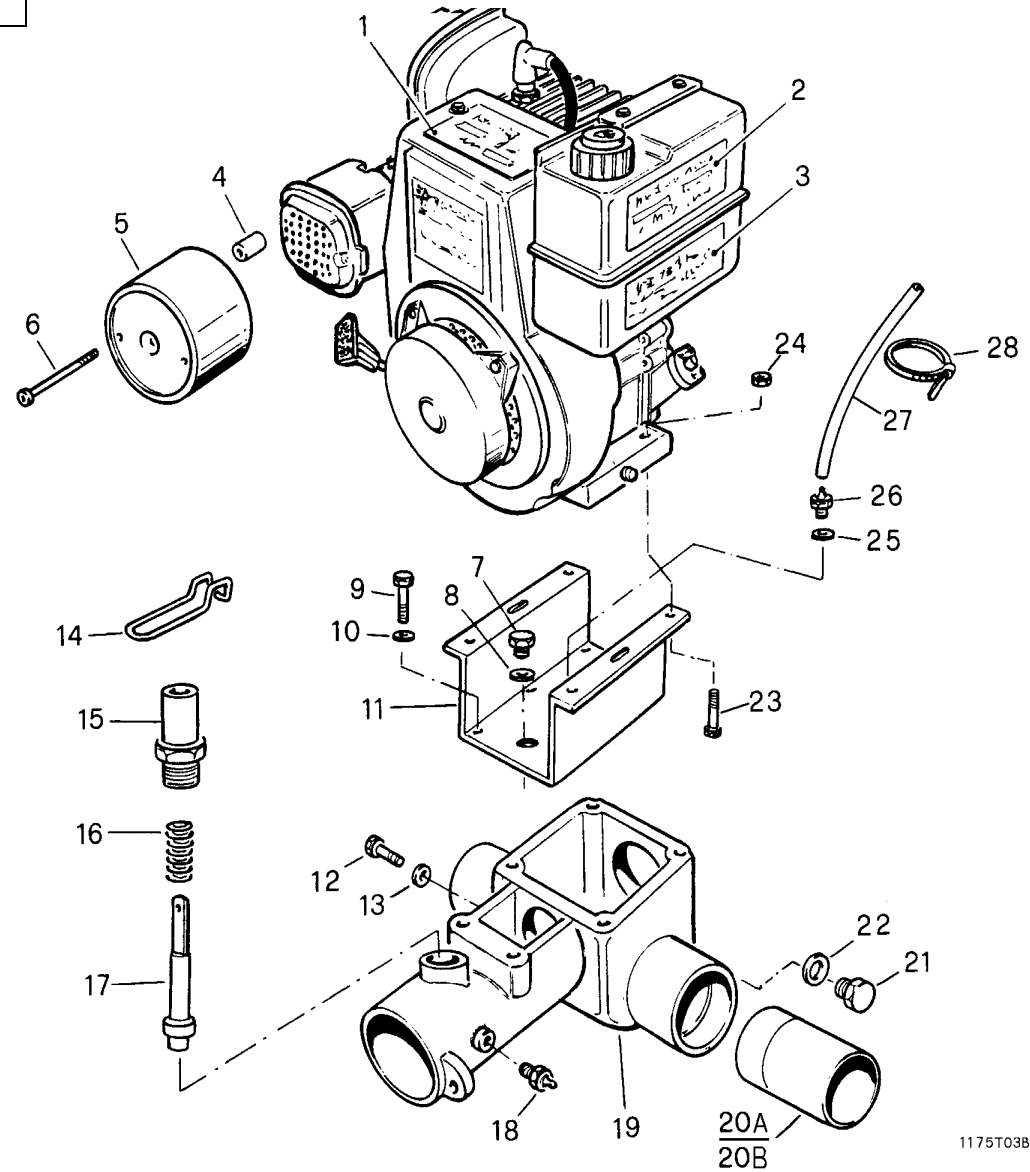
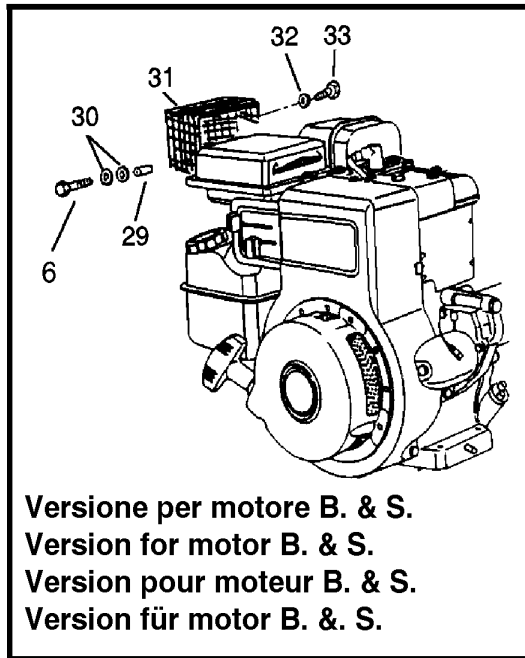


1175T02B

Tab. 1 – STEGOLE DI GUIDA – HANDLEBARS – MANCHERONS – FÜHRUNGSHOLM

REF.	Q.	COD.	DESCRIZIONE	DESCRIPTION	DESCRIPTION	BENENNUNG
01	01	14680363	MANOPOLA	GRIP	POIGNÉE	GRIFF
02	01	15002023	TARGHETTA	PLACARD	PLAQUETTE	SCHILD
03	01	15002013	TARGHETTA	PLACARD	PLAQUETTE	SCHILD
04	01	19954206	DADO	NUT	ECROU	MUTTER
05	01	19955051	RONDELLA	WASHER	RONDELLE	SCHEIBE
06	01	19952616	VITE	SCREW	VIS	SCHRAUBE
07	02	14660221	LEVA	LEVER	LEVIER	HEBEL
08	02	14660233	BLOCCO	LOCK	BLOC	BLOCKIERUNG
09	02	14660260	VITE REGISTRO	SCREW, ADJUSTMENT	VIS DE REGLAGE	STELLSCHRAUBE
10	01	15755043	STEGOLE	HANDLEBARS	MANCHERONS	FÜHRUNGSHOLM
11	01	14660406	MANETTINO GAS COMPLETO	THROTTLE W/WIRE	ACCELERATEUR ET CABLE	GASHEBEL MIT SEIL
12a	01	14660513	TRASMISSIONE COMPLETA (fino a matr. 301252)	WIRE, ASS.Y (to s/n 301252)	CABLE COMPLET (jusq'à matr. 301252)	SEILZUG KOMPLETT (bis zu matr. 301252)
12b	01	14660527	TRASMISSIONE COMPLETA (da matr. 301253)	WIRE, ASS.Y (since s/n 301253)	CABLE COMPLET (des matr. 301253)	SEILZUG KOMPLETT (bei zu matr. 301253)
13	02	19952637	VITE	SCREW	VIS	SCHRAUBE
14	08	19955052	RONDELLA	WASHER	RONDELLE	SCHEIBE
15	06	19954254	DADO	NUT	ECROU	MUTTER
16	02	15755021	DISTANZIALE	SPACER	ENTRETOISE	DISTANZSTÜCK
17	02	14680406	SILENTBLOCK	SILENTBLOCK	SILENTBLOCK	SILENTBLOCK
18	01	15755026	SUPPORTO (fino a m. 131762)	SUPPORT (to s/n 131762)	SUPPORT (jusq'à matr. 131762)	HALTERUNG (bis zu m. 131762)
19	04	19952721	VITE	SCREW	VIS	SCHRAUBE
20	02	14660250	BUSSOLA	BUSH	DOUILLE	BÜCHSE
21	01	14670102	CAVO MOTORSTOP	CABLE, MOTORSTOP	CABLE MOTORSTOP	MOTORSTOP SEIL
22a	01	14660512	TRASMISSIONE COMPLETA (fino a matr. 301252)	WIRE, ASS.Y (to s/n 301252)	CABLE COMPLET (jusq'à matr. 301252)	SEILZUG KOMPLETT (bis zu matr. 301252)
22b	01	14660525	TRASMISSIONE COMPLETA (da matr. 301253)	WIRE, ASS.Y (since s/n 301253)	CABLE COMPLET (des matr. 301253)	SEILZUG KOMPLETT (bei zu matr. 301253)
23	02	14680801	FASCETTA	STRAP	COLLIER	HALTERBAND
24a	02	14660241	MORSETTO (per ref. 12a - 22a)	CLAMP (for ref. 12a - 22a)	SERRE-CABLE (pour ref. 12a-22a)	SEILKLEMME (für ref. 12a - 22a)
24b	02	14660229	BARILOTTO (per ref. 12b - 22b)	BUSHING (for ref. 12b - 22b)	BARILLET (pour ref. 12b-22b)	ZYLINDER (für ref. 12b - 22b)
25	02	14660235	VITE	SCREW	VIS	SCHRAUBE
26	02	19954253	DADO	NUT	ECROU	MUTTER
27	01	15002012	TARGHETTA	PLACARD	PLAQUETTE	SCHILD
28	01	14680369	MANOPOLA MOTORSTOP	GRIP, MOTORSTOP	POIGNEE MOTORSTOP	MOTORSTOP GRIFF
29	01	14660225	LEVA MOTORSTOP	MOTORSTOP LEVER	LEVIER MOTORSTOP	MOTORSTOP HEBEL
30	01	14660240	DISPOS. MOTORSTOP	MOTORSTOP, ASS.Y	MOTORSTOP COMPLET	MOTORSTOP KOMPLETT
31	02	12320410	RUOTA COMPLETA	WHEEL, ASS.Y	ROUE COMPLETE	RAD KOMPLETT
32	02	14685511	PNEUMATICO	TYRE	PNEU	BEREIFUNG
33	02	14600410	DISCO RUOTA	RIM	JANTE	FELGE
34	02	14684411	CAMERA D'ARIA	TUBE	CHAMBRE A AIR	SCHLAUCH
35	02	15001108	SPINA A MOLLA	SPRING CLIP	GOUPILLE RAPIDE	VORSTECKER
36	02	15755024	DISTANZIALE	SPACER	ENTRETOISE	DISTANZSTÜCK
37	02	12320307	RUOTA (GOMMA PIENA)	WHEEL, RUBBER	ROUE EN CAOUTCHOUC	GUMMIRAD

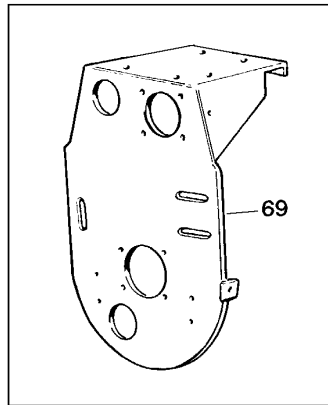
Tab. 2 – CARTER – CASE – CARTER – GEHÄUSE



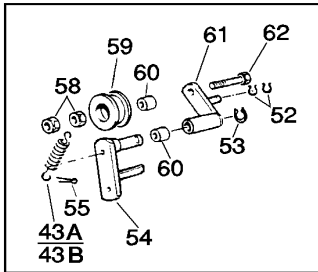
Tab. 2 – CARTER – CASE – CARTER – GEHÄUSE

REF.	Q.	COD.	DESCRIZIONE	DESCRIPTION	DESCRIPTION	BENENNUNG
01	01	15002011	TARGHETTA	PLACARD	PLAQUETTE	SCHILD
02	01	15002015	TARGHETTA	PLACARD	PLAQUETTE	SCHILD
03	01	15002010	TARGHETTA	PLACARD	PLAQUETTE	SCHILD
04	02	15755062	DISTANZIALE (Tecnamotor)	SPACER (Tecnamotor)	ENTRETOISE (Tecnamotor)	DISTANZSTÜCK (Tecnamotor)
05	01	15755018	COPERCHIO (Tecnamotor)	COVER (Tecnamotor)	COUVERCLE (Tecnamotor)	DECKEL (Tecnamotor)
06	02	19953105	VITE (Tecnamotor)	SCREW (Tecnamotor)	VIS (Tecnamotor)	SCHRAUBE (Tecnamotor)
06	01	19953105	VITE (B. & S.)	SCREW (B. & S.)	VIS (B. & S.)	SCHRAUBE (B. & S.)
07	01	14660110	TAPPO	PLUG	BOUCHON	STOPFEN
08	01	19956137	GUARNIZIONE	GASKET	JOINT	DICHTUNG
09	06	19952715	VITE	SCREW	VIS	SCHRAUBE
10	06	19955408	ROSETTA ELASTICA	SPRING WASHER	RONDELLE ELASTIQUE	FEDERSCHEIBE
11	01	15755004	COPERCHIO	COVER	COUVERCLE	DECKEL
12	01	19952710	VITE	SCREW	VIS	SCHRAUBE
13	01	19956166	RONDELLA	WASHER	RONDELLE	SCHEIBE
14	01	15755049	MOLLA	SPRING	RESSORT	FEDER
15	01	15755058	BUSSOLA	BUSH	DOUILLE	BÜCHSE
16	01	15001035	MOLLA	SPRING	RESSORT	FEDER
17	01	15755059	PERNO	PIN	AXE	STIFT
18	01	19956203	INGRASSATORE	GREASE NIPPLE	GRAISSEUR	SCHMIERNIPPEL
19	01	15751002	CARTER	CASE	CARTER	GEHÄUSE
20a	02	15755019	PARAERBA (PER RUOTA PNEUM.)	GUARD (FOR TYRED WHEEL)	PROTECTION (POUR ROUE AVEC PN.)	ABDECKUNG (FÜRBEREIFUNGRAD)
20b	02	15755072	PARAERBA (PER RUOTA GOMMA)	GUARD (FOR RUBBER WHEEL)	PROTECTION (POUR ROUE EN CAOUT.)	ABDECKUNG (FÜRGUMMIRAD)
21	01	15005013	TAPPO	PLUG	BOUCHON	STOPFEN
22	01	19956110	GUARNIZIONE	GASKET	JOINT	DICHTUNG
23	04	19952747	VITE	SCREW	VIS	SCHRAUBE
24	04	19954254	DADO	NUT	ECROU	MUTTER
25	01	19956167	GUARNIZIONE	GASKET	JOINT	DICHTUNG
26	01	15045059	RACCORDO	NIPPLE	EMBOUT	NIPPEL
27	01	15046009	TUBO	HOSE	TUYAU	ROHR
28	02	14680801	FASCETTA	STRAP	COLLIER	HALTERBAND
29	01	15485018	DISTANZIALE (B. & S.)	SPACER (B. & S.)	ENTRETOISE (B. & S.)	DISTANZSTÜCK (B. & S.)
30	02	19955015	RONDELLA (B. & S.)	WASHER (B. & S.)	RONDELLE (B. & S.)	SCHEIBE (B. & S.)
31	01	14610218	PROTEZIONE (B. & S.)	GUARD (B. & S.)	COUVRE-LAME (B. & S.)	ZAHNSCHUTZ (B. & S.)
32	01	19955273	RONDELLA (B. & S.)	WASHER (B. & S.)	RONDELLE (B. & S.)	SCHEIBE (B. & S.)
33	01	19952709	VITE (B. & S.)	SCREW (B. & S.)	VIS (B. & S.)	SCHRAUBE (B. & S.)

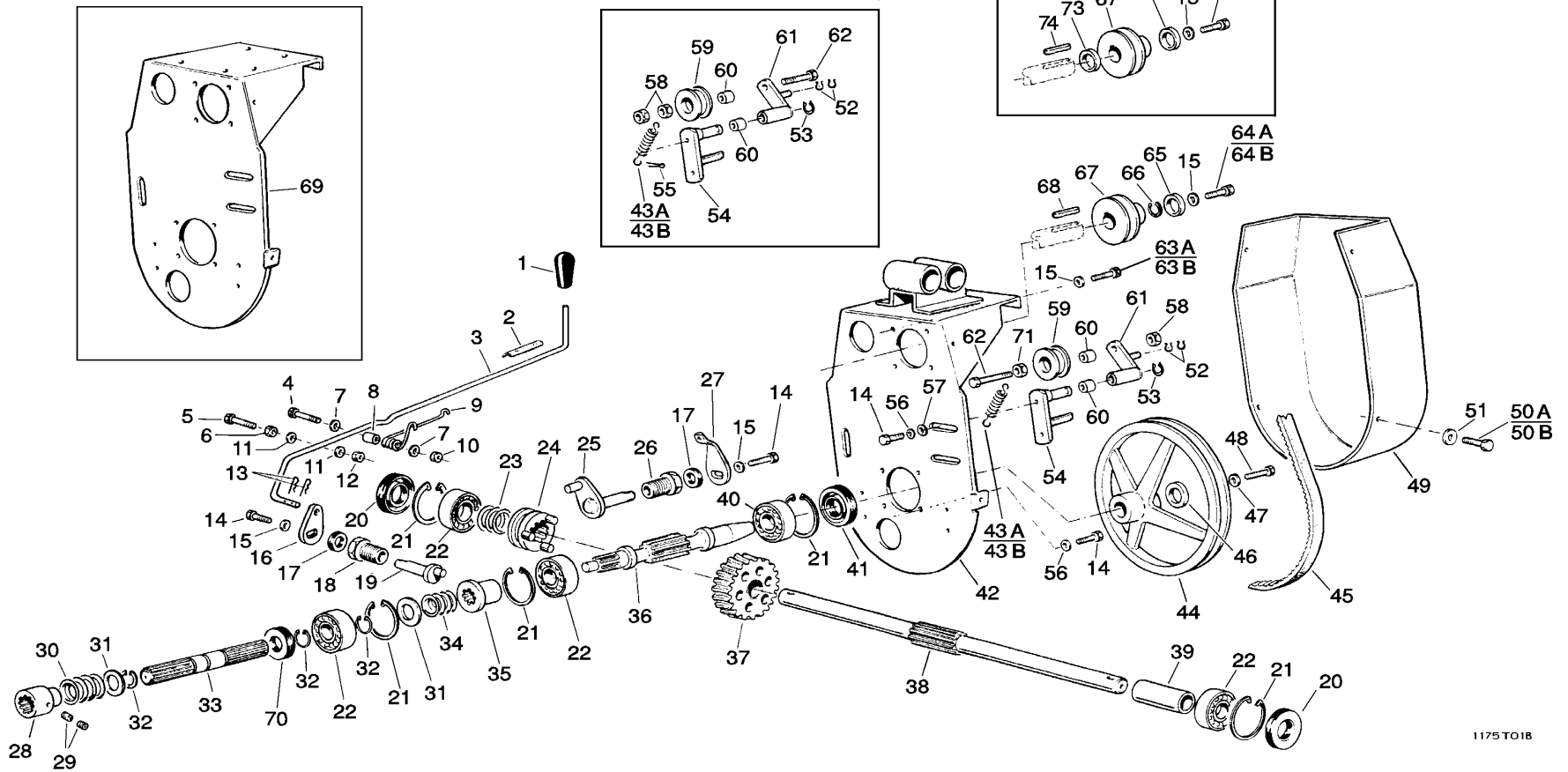
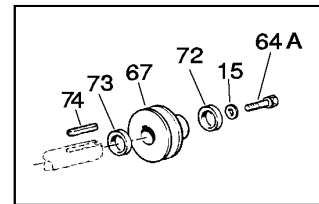
Tab. 3 – TRASMISSIONE – SHAFTING – TRANSMISSION – TRANSMISSION



Fino a matr. 132035
 Until s/n 132035
 Jusq'a matr. 132035
 Bis zu matr. 132035



Variante per motore B. & S.
 Variation for motor B. & S.
 Variante pour moteur B. & S.
 Variante für motor B. & S.



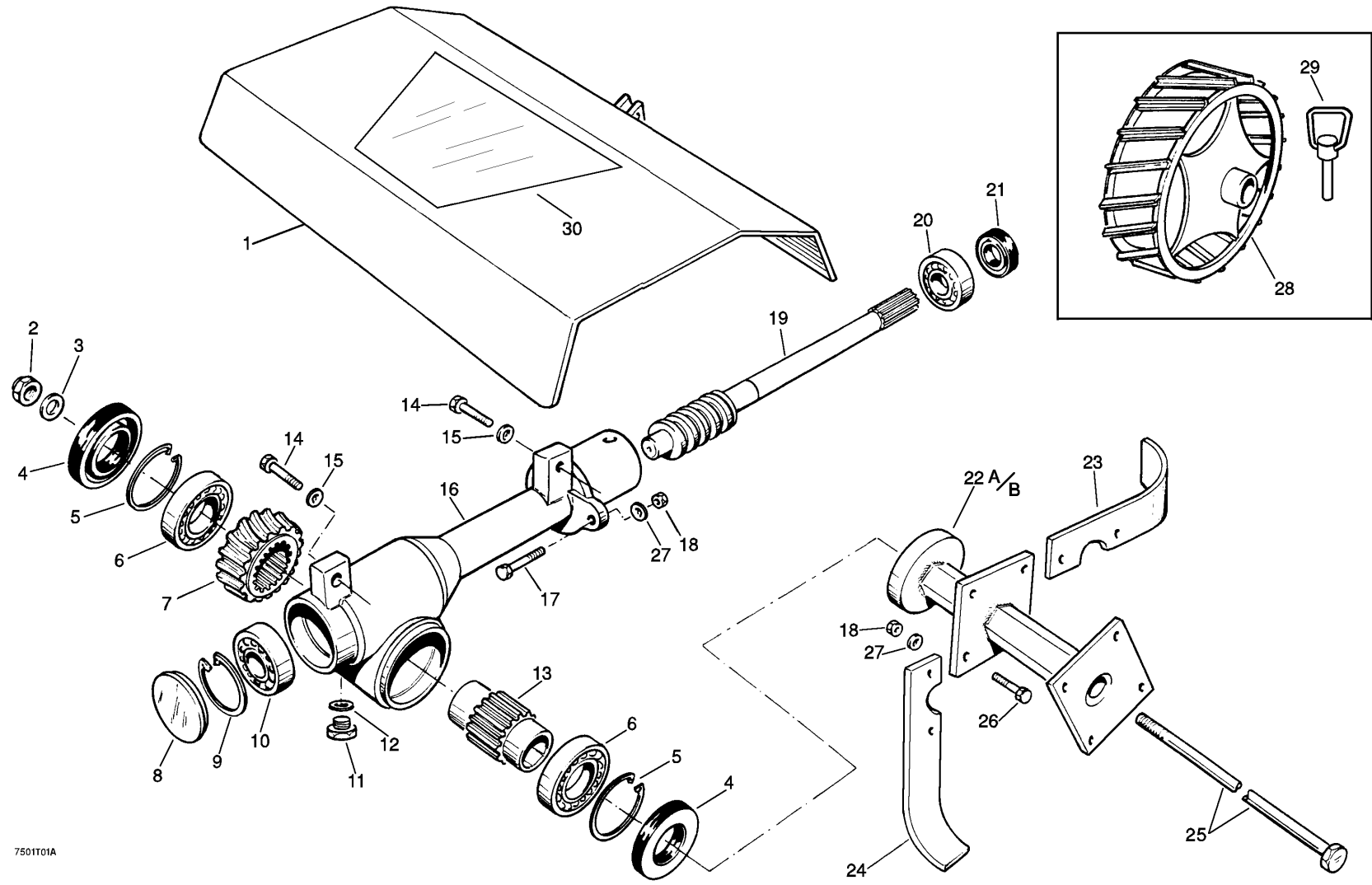
Tab. 3 – TRASMISSIONE – SHAFTING – TRANSMISSION – TRANSMISSION

REF.	Q.	COD.	DESCRIZIONE	DESCRIPTION	DESCRIPTION	BENENNUNG
01	01	14660180	POMELLO	KNOB	BOUTON	KNEBELGRIFF
02	01	15002014	TARGHETTA	PLACARD	PLAQUETTE	SCHILD
03	01	15755045	ASTA	SCREW	VIS	SCHRAUBE
04	01	19952729	VITE	SCREW	VIS	SCHRAUBE
05	01	19952746	VITE	SCREW	VIS	SCHRAUBE
06	01	19954043	DADO	NUT	ECROU	MUTTER
07	02	19955052	RONDELLA	WASHER	RONDELLE	SCHEIBE
08	01	15755050	SPESSORE	SHIM	CALE D'EPAISSEUR	DISTANZSCHEIBE
09	01	15755051	MOLLA	SPRING	RESSORT	FEDER
10	01	19954254	DADO	NUT	ECROU	MUTTER
11	02	19955051	RONDELLA	WASHER	RONDELLE	SCHEIBE
12	01	19954253	DADO	NUT	ECROU	MUTTER
13	02	15001081	SPINA A MOLLA	SPRING CLIP	GOUPILLE RAPIDE	VORSTECKER
14	08	19952715	VITE	SCREW	VIS	SCHRAUBE
15	07	19955408	ROSETTA ELASTICA	SPRING WASHER	RONDELLE ELASTIQUE	FEDERSCHEIBE
16	01	15755044	LEVA	LEVER	LEVIER	HEBEL
17	02	19922066	ANELLO DI TENUTA	SEALRING	BAGUE D'ETANCHEITÉ	DICHTRING
18	01	15575018	BOCCOLA	BUSH	DOUILLE	BÜCHSE
19	01	15575017	ECCENTRICO	ECCENTRIC	EXCENTRIQUE	EXZENTER
20	02	19922123	ANELLO DI TENUTA	SEALRING	BAGUE D'ETANCHEITÉ	DICHTRING
21	05	19955647	ANELLO ELASTICO	LOCKRING	ARRETOIR	SICHERUNGSRING
22	04	19900321	CUSCINETTO	BEARING	ROULEMENT	LAGER
23	01	15755048	MOLLA	SPRING	RESSORT	FEDER
24	01	15584014	INNESTO SCORREVOLE	DOG-CLAW	CLABOT	SCHIEBEKUPPLUNG
25	01	15755015	LEVA	LEVER	LEVIER	HEBEL
26	01	15155046	BOCCOLA	BUSH	DOUILLE	BÜCHSE
27	01	15755063	LEVA	LEVER	LEVIER	HEBEL
28	01	15544023	BOCCOLA	BUSH	DOUILLE	BÜCHSE
29	02	19952501	VITE	SCREW	VIS	SCHRAUBE
30	01	15001010	MOLLA	SPRING	RESSORT	FEDER
31	02	19956029	SPESSORE	SHIM	CALE D'EPAISSEUR	DISTANZSCHEIBE
32	03	19955520	ANELLO ELASTICO	LOCKRING	ARRETOIR	SICHERUNGSRING
33	01	15754035	ALBERO	SHAFT	ARBRE	WELLE
34	01	15565008	MOLLA	SPRING	RESSORT	FEDER
35	01	15754030	INNESTO SCORREVOLE	DOG-CLAW	CLABOT	SCHIEBEKUPPLUNG
36	01	15754012	VITE SENZA FINE	WORM SCREW	VIS SANS FIN	ENDLOSSCHRAUBE
37	01	15754013	CORONA DENTATA	RING GEAR	COURONNE DENTEE	ZAHNKRANZ
38	01	15754031	ALBERO	SHAFT	ARBRE	WELLE
39	01	15585019	DISTANZIALE	SPACER	ENTRETOISE	DISTANZSTÜCK
40	01	19900226	CUSCINETTO	BEARING	ROULEMENT	LAGER
41	01	19922170	ANELLO DI TENUTA	SEALRING	BAGUE D'ETANCHEITÉ	DICHTRING
42	01	15755052	CARTER (da matr. 131763)	CASE (since p/n 131763)	CARTER (dès matr.131763)	GEHÄUSE (bei zu matr.131763)
43a	01	15755033	MOLLA (fino a matr. 131762)	SPRING (until s/n 131762)	RESSORT (jusq'a matr. 131762)	FEDER (bis zu matr. 131762)
43b	01	15755053	MOLLA (da matr. 131763)	SPRING (since p/n 131763)	RESSORT (dès matr. 131763)	FEDER (bei zu matr. 131763)
44	01	15752005	PULEGGIA	PULLEY	POUILIE	RIEMENSCHLEIBE

Tab. 3 – TRASMISSIONE – SHAFTING – TRANSMISSION – TRANSMISSION

REF.	Q.	COD.	DESCRIZIONE	DESCRIPTION	DESCRIPTION	BENENNUNG
45	01	14681008	CINGHIA	BELT	COURROIE	RIEMEN
46	01	19955018	DISTANZIALE	SPACER	ENTRETOISE	DISTANZSTÜCK
47	01	19955410	ROSETTA ELASTICA	SPRING WASHER	RONDELLE ELASTIQUE	FEDERSCHEIBE
48	01	19952722	VITE	SCREW	VIS	SCHRAUBE
49	01	15756034	COPERCHIO	COVER	COUVERCLE	DECKEL
50a	04	19952714	VITE (fino a matr.131762)	SCREW (until s/n 131762)	VIS (jusq'a matr.131762)	SCHRAUBE (bis zu matr.131762)
50b	04	19953104	VITE (da matr.131763)	SCREW (since s/n 131763)	VIS (dès matr.131763)	SCHRAUBE (bei zu matr.131763)
51	04	19955008	RONDELLA	WASHER	RONDELLE	SCHEIBE
52	02	19955508	ANELLO ELASTICO	LOCKRING	ARRETOIR	SCHERUNGSRING
53	01	19955512	ANELLO ELASTICO	LOCKRING	ARRETOIR	SICHERUNGSRING
54	01	15755028	SUPPORTO	SUPPORT	SUPPORT	HALTERUNG
55	01	19957118	COPIGLIA (fino a matr.131762)	SPLIT PIN (until s/n 131762)	GOUPILLE (jusq'a matr.131762)	SPLINT (bis zu matr.131762)
56	06	19955273	ROSETTA ELASTICA	SPRING WASHER	RONDELLE ELASTIQUE	FEDERSCHEIBE
57	02	19955009	RONDELLA	WASHER	RONDELLE	SCHEIBE
58	02	19954256	DADO	NUT	ECROU	MUTTER
59	01	15486022	PULEGGIA	PULLEY	POUILIE	RIEMENSCHLEIBE
60	02	15755047	DISTANZIALE	SPACER	ENTRETOISE	DISTANZSTÜCK
61	01	15755029	LEVA	SPRING	RESSORT	FEDER
62	01	19952632	VITE	SCREW	VIS	SCHRAUBE
63a	04	19950101	VITE (UNF 5/16")	SCREW (UNF 5/16")	VIS (UNF 5/16")	SCHRAUBE (UNF 5/16")
63b	04	19952721	VITE (M8)	SCREW (M8)	VIS (M8)	SCHRAUBE (M8)
64a	01	19950106	VITE (UNF 5/16")	SCREW (UNF 5/16")	VIS (UNF 5/16")	SCHRAUBE (UNF 5/16")
64b	01	19952729	VITE (M8)	SCREW (M8)	VIS (M8)	SCHRAUBE (M8)
65	01	15755061	RONDELLA	WASHER	RONDELLE	SCHEIBE
66	01	19955619	ANELLO ELASTICO	LOCKRING	ARRETOIR	SICHERUNGSRING
67	01	15755010	PULEGGIA	PULLEY	POUILIE	RIEMENSCHLEIBE
68	01	19956347	CHIAVETTA	KEY	CLAVETTE	KEIL
69	01	15755032	CARTER (fino a matr. 131762)	CASE (until s/n 131762)	CARTER (jusq'a matr.131762)	GEHÄUSE (bis zu matr.131762)
70	01	19922119	ANELLO DI TENUTA	SEALRING	BAGUE D'ETANCHEITÉ	DICHTRING
71	01	19954047	DADO	NUT	ECROU	MUTTER
72	01	15755020	DISTANZIALE	SPACER	ENTRETOISE	DISTANZSTÜCK
73	01	15755042	DISTANZIALE	SPACER	ENTRETOISE	DISTANZSTÜCK
74	01	19956418	CHIAVETTA	KEY	CLAVETTE	KEIL

Tab. 4 – GRUPPO FRESA - TILLER - FRAISE - FRÄSE

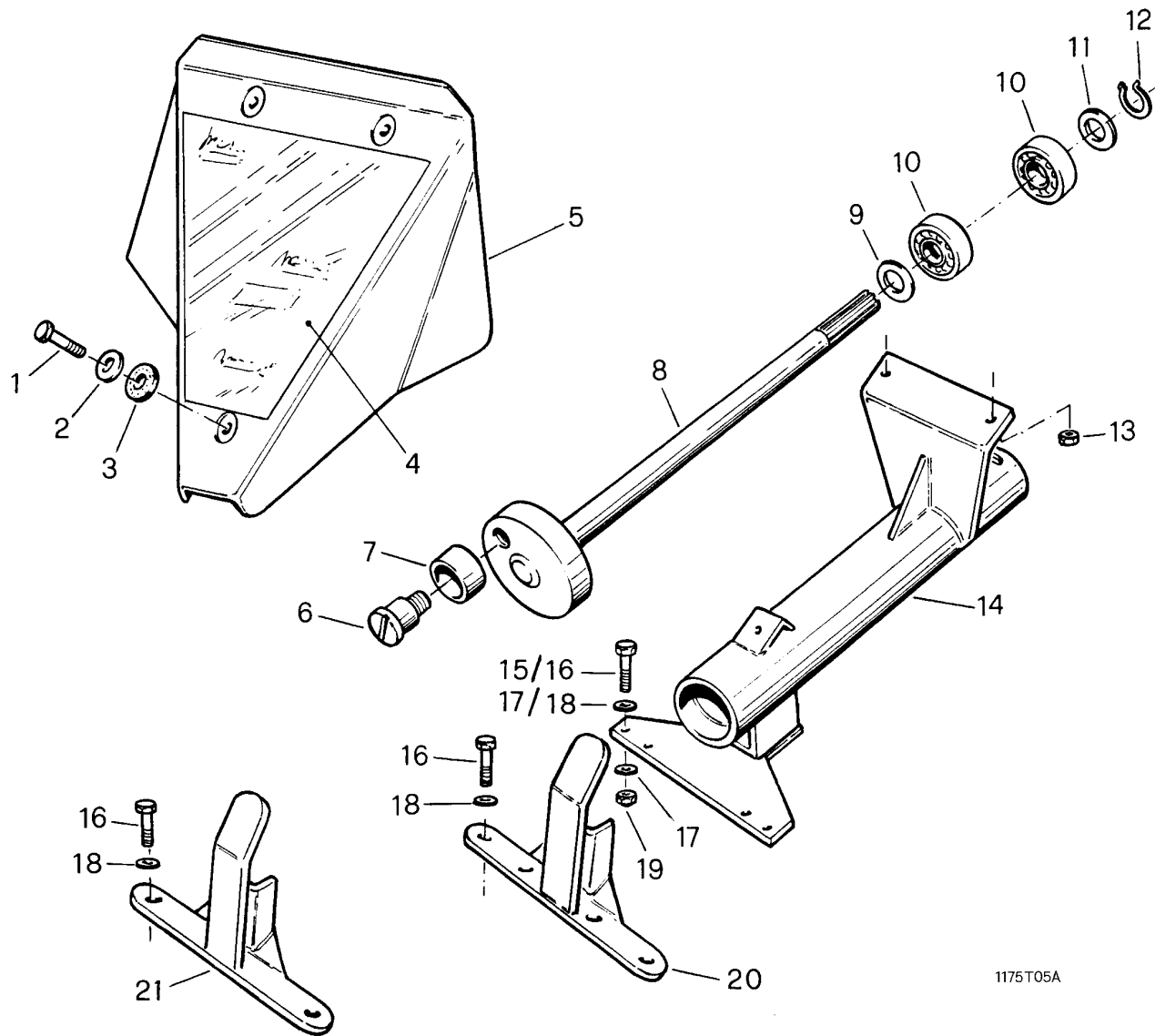


7501T01A

Tab. 4 – GRUPPO FRESA - TILLER - FRAISE - FRÄSE

REF.	Q.	COD.	DESCRIZIONE	DESCRIPTION	DESCRIPTION	BENENNUNG
01	01	15755065	COFANO FRESA	COVER	COUVERCLE	DECKEL
02	01	19954256	DADO	NUT	ECROU	MUTTER
03	01	15175127	DISTANZIALE	SPACER	ENTRETOISE	DISTANZSTÜCK
04	02	19921050	ANELLO DI TENUTA	SEALRING	BAGUE D'ETANCHEITÉ	DICHTRING
05	02	19955662	ANELLO ELASTICO	LOCKRING	ARRETOIR	SICHERUNGSRING
06	02	19900235	CUSCINETTO	BEARING	ROULEMENT	LAGER
07	01	15754038	CORONA DENTATA	RING GEAR	COURONNE DENTEE	ZAHNKRANZ
08	01	19922297	TAPPO	PLUG	BOUCHON	STOPFEN
09	01	19955647	ANELLO ELASTICO	LOCKRING	ARRETOIR	SICHERUNGSRING
10	01	19900321	CUSCINETTO	BEARING	ROULEMENT	LAGER
11	01	15005013	TAPPO	PLUG	BOUCHON	STOPFEN
12	01	19956110	GUARNIZIONE	GASKET	JOINT	DICHTUNG
13	01	15754039	ALBERO	SHAFT	ARBRE	WELLE
14	02	19952722	VITE	SCREW	VIS	SCHRAUBE
15	02	19955274	RONDELLA	WASHER	RONDELLE	SCHEIBE
16	01	15751036	GAMBO FRESA	TIGE	TIGE	SCHAFT
17	01	19952747	VITE	SCREW	VIS	SCHRAUBE
18	17	19954045	DADO	NUT	ECROU	MUTTER
19	01	15754037	VITE SENZA FINE	WORM SCREW	VIS SANS FIN	ENDLOSSCHRAUBE
20	01	19900322	CUSCINETTO	BEARING	ROULEMENT	LAGER
21	01	19922111	ANELLO DI TENUTA	SEALRING	BAGUE D'ETANCHEITÉ	DICHTRING
22a	02	15755066	SUPPORTO CON LAME	SUPPORT W/ BLADES	SUPPORT AVEC LAMES	HALTERUNG MIT MESSEREN
22b	02	15755067	SUPPORTO SENZA LAME	SUPPORT W/OUT BLADES	SUPPORT SANS LAMES	HALTERUNG OHNE MESS.
23	08	15175120	LAMA DX	BLADE (R. H.)	LAME D.	MESSER R.
24	08	15175133	LAMA SX	BLADE (L. H.)	LAME G.	MESSER L.
25	01	15755041	TIRANTE FRESA	TIE ROD	TIRANT	SPANNBOLZEN
26	16	19952729	VITE	SCREW	VIS	SCHRAUBE
27	17	19955273	RONDELLA	WASHER	RONDELLE	SCHEIBE
28	02	12329920	RUOTA IN FERRO	IRON WHEEL	ROUE EN FER	RAD
29	02	15001108	SPINA A MOLLA	SPRING CLIP	GOUPILLE RAPIDE	VORSTECKER
30	01	15002016	TARGHETTA	PLACARD	PLAQUETTE	SCHILD

Tab. 5 – AZIONAMENTO BARRA FALCIANTE - BAR MOVEMENT - MOUVEMENT DE LA BARRE - MÄHBALKEN BETRIEB

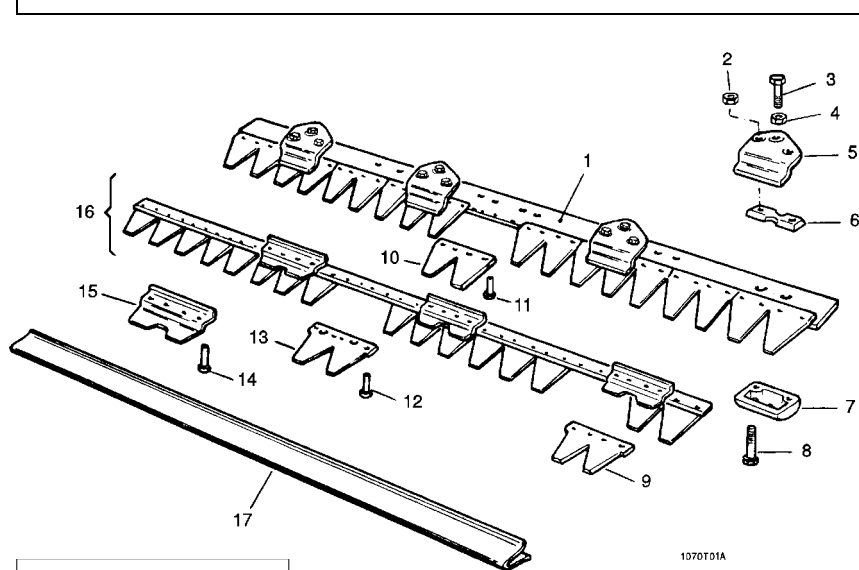


1175T05A

Tab. 5 – AZIONAMENTO BARRA FALC. - BAR MOVEMENT - MOUVEMENT DE LA BARRE.- MÄHBALKEN BETRIEB

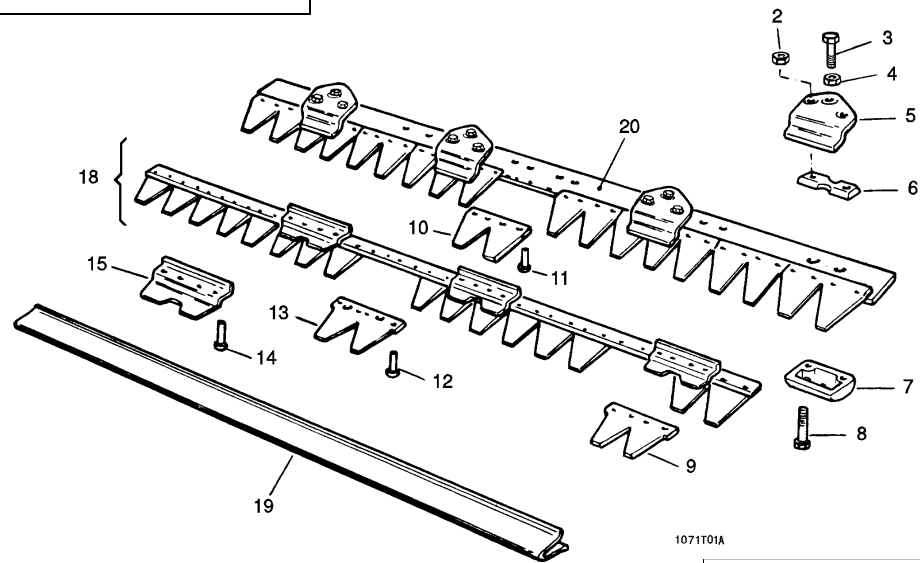
REF.	Q.	COD.	DESCRIZIONE	DESCRIPTION	DESCRIPTION	BENENNUNG
01	03	19952006	VITE	SCREW	VIS	SCHRAUBE
02	03	19955008	RONDELLA	WASHER	RONDELLE	SCHEIBE
03	03	19956177	GOMMINO	RUBBER RING	CAOUTCHOUC	GUMMIRING
04	01	15002016	TARGHETTA	PLACARD	PLAQUETTE	SCHILD
05	01	15755016	COFANO	COVER	COUVERCLE	HAUBE
06	01	15574049	PERNO	PIN	AXE	BOLZEN
07	01	15574048	BOCCOLA	BUSH	DOUILLE	BÜCHSE
08	01	15755070	ALBERO	SHAFT	ARBRE	WELLE
09	01	19956029	SPESSORE	SHIM	CALE D'EPaisseur	DISTANZSCHEIBE
10	02	19900322	CUSCINETTO	BEARING	ROULEMENT	LAGER
11	01	19956028	SPESSORE	SHIM	CALE D'EPaisseur	DISTANZSCHEIBE
12	01	19955520	ANELLO ELASTICO	LOCKRING	ARRETOIR	SICHERUNGSRING
13	02	19954253	DADO	NUT	ECROU	MUTTER
14	01	15755071	MANICOTTO	FITTING	MANCHON	MUFFE
15	04	19952729	VITE (ESM)	SCREW (ESM)	VIS (ESM)	SCHRAUBE (ESM)
16	--	19952715	VITE	SCREW	VIS	SCHRAUBE
17	08	19955007	RONDELLA (ESM)	WASHER (ESM)	RONDELLE (ESM)	SCHEIBE (ESM)
18	--	19955273	RONDELLA	WASHER	RONDELLE	SCHEIBE
19	04	19954254	DADO (ESM)	NUT (ESM)	ECROU (ESM)	MUTTER (ESM)
20	01	15545070	GUIDALAMA (ESM - NAZ. 92)	BLADE DRIVE (ESM - NAZ. 92)	GUIDE-LAME (ESM - NAZ. 92)	MESSERFÜHRUNG (ESM - N. 92)
21	01	15755057	GUIDALAMA (NAZ. 82)	BLADE DRIVE (NAZ. 82)	GUIDE-LAME (NAZ. 82)	MESSERFÜHRUNG (NAZ. 82)

Tab. 6 – BARRE FALCIANTI – MOWING BARS – BARRES DE COUPE – MÄHBALKEN



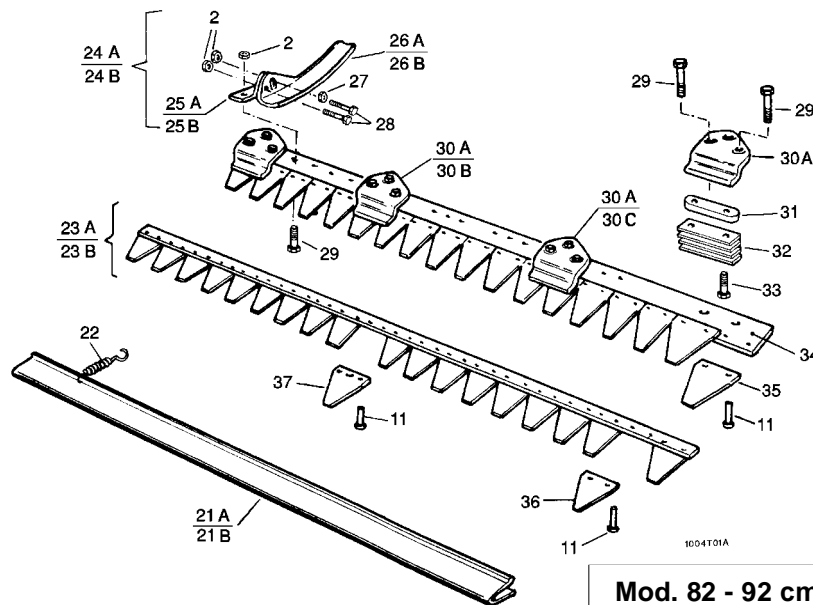
Mod. 71 cm ESM

1070T01A



Mod. 91 cm ESM

1071T01A



Mod. 82 - 92 cm NAZ.

1004T01A

Tab. 6 – BARRE FALCIANTI – MOWING BARS – BARRES DE COUPE – MÄHBALKEN

REF.	Q.	COD.	DESCRIZIONE	DESCRIPTION	DESCRIPTION	BENENNUNG
01	01	14690320	ASTA	ROD	TIGE	STANGE
02	—	19954045	DADO	NUT	ECROU	MUTTER
03	—	19952737	VITE	SCREW	VIS	SCHRAUBE
04	—	14690215	DADO	NUT	ECROU	MUTTER
05	—	14690307	PREMILAMA	BRACKET	SERRE-CABLE	PRESSBLATT
06	—	14690310	BLOCCETTO	BLOCK	BLOCHET	BLOCK
07	—	14690312	SLITTA	SKID	SEMELLE	SCHLITTEN
08	—	19952617	VITE	SCREW	VIS	SCHRAUBE
09	—	14690314	SEZIONE LAMA	CUTTING EDGE	SECTION DE LAME	SCHNITTKANTE
10	—	14690315	SEZIONE LAMA	CUTTING EDGE	SECTION DE LAME	SCHNITTKANTE
11	—	14690501	RIBATTINO	RIVET	RIVET	NIETE
12	—	14690502	RIBATTINO	RIVET	RIVET	NIETE
13	—	14690313	SEZIONE	CUTTING EDGE	SECTION DE LAME	SCHNITTKANTE
14	—	14690503	RIBATTINO	RIVET	RIVET	NIETE
15	—	14690210	PIASTRINA	PLATE	PLAQUE	PLATTE
16	01	12310908	LAMA	BLADE	LAME	MESSER
17	01	14690718	PROTEZIONE	GUARD	COUVRE-LAME	ZAHNSCHUTZ
18	01	12310909	LAMA	BLADE	LAME	MESSER
19	01	14690719	PROTEZIONE	GUARD	COUVRE-LAME	ZAHNSCHUTZ
20	01	14690321	ASTA	ROD	TIGE	STANGE
21a	01	14690175	PROTEZIONE DENTI L = 82 cm	GUARD L = 82 cm	COUVRE-LAME L = 82 cm	ZAHNSCHUTZ L = 82 cm
21b	01	14690176	PROTEZIONE DENTI L = 92 cm	GUARD L = 92 cm	COUVRE-LAME L = 92 cm	ZAHNSCHUTZ L = 92 cm
22	02	14690156	MOLLA	SPRING	RESSORT	SPRINGFEDER
23a	01	12310504	LAMA L = 82 cm	BLADE L = 82 cm	LAME L = 82 cm	MESSER L = 82 cm
23b	01	12310505	LAMA L = 92 cm	BLADE L = 92 cm	LAME L = 92 cm	MESSER L = 92 cm
24a	01	14690163	SLITTA COMPL.DX	SKID, ASS.Y (R.H.)	SEMELLE COMPLETE D.	SCHLITTEN KOMPLETT R.
24b	01	14690164	SLITTA COMPL. SX	SKID, ASS.Y (L.H.)	SEMELLE COMPLETE G.	SCHLITTEN KOMPLETT L.
25a	01	14690158	SUPPORTO SLITTA DX	SUPPORT, SKID (R.H.)	SUPPORT SEMELLE D.	HALTERUNG SCHLITTEN R.
25b	01	14690159	SUPPORTO SLITTA SX	SUPPORT, SKID (L.H.)	SUPPORT SEMELLE G.	HALTERUNG SCHLITTEN L.
26a	01	14690160	SLITTA DX	SKID (R.H.)	SEMELLE D.	SCHLITTEN R.
26b	01	14690161	SLITTA SX	SKID (L.H.)	SEMELLE G.	SCHLITTEN L.
27	02	19955009	RONDELLA	WASHER	RONDELLE	SCHEIBE
28	04	19952721	VITE	SCREW	VIS	SCHRAUBE
29	12	19952729	VITE	SCREW	VIS	SCHRAUBE
30a	04	14690170	PREMILAMA	BRACKET	SERRE-CABLE	PRESSBLATT
30b	01	14690178	PREMILAMA DX (NAZ. 92)	BRACKET R.H. (NAZ. 92)	SERRE-CABLE D. (NAZ. 92)	PRESSBLATT R. (NAZ. 92)
30c	01	14690179	PREMILAMA SX (NAZ. 92)	BRACKET L.H. (NAZ. 92)	SERRE-CABLE G. (NAZ. 92)	PRESSBLATT L. (NAZ. 92)
31	04	14690171	BLOCCETTO	BLOCK	BLOCHET	BLOCK
32	20	14690172	PIASTRINA	PLATE	PLAQUE	PLATTE
33	04	14690173	VITE	SCREW	VIS	SCHRAUBE
34	01	14690174	ASTA	ROD	TIGE	STANGE
35	16	14690149	SEZIONE LAMA	CUTTING EDGE	SECTION DE LAME	SCHNITTKANTE
36	13	14690200	SEZIONE LAMA	CUTTING EDGE	SECTION DE LAME	SCHNITTKANTE
37	02	14690204	SEZIONE LAMA	CUTTING EDGE	SECTION DE LAME	SCHNITTKANTE