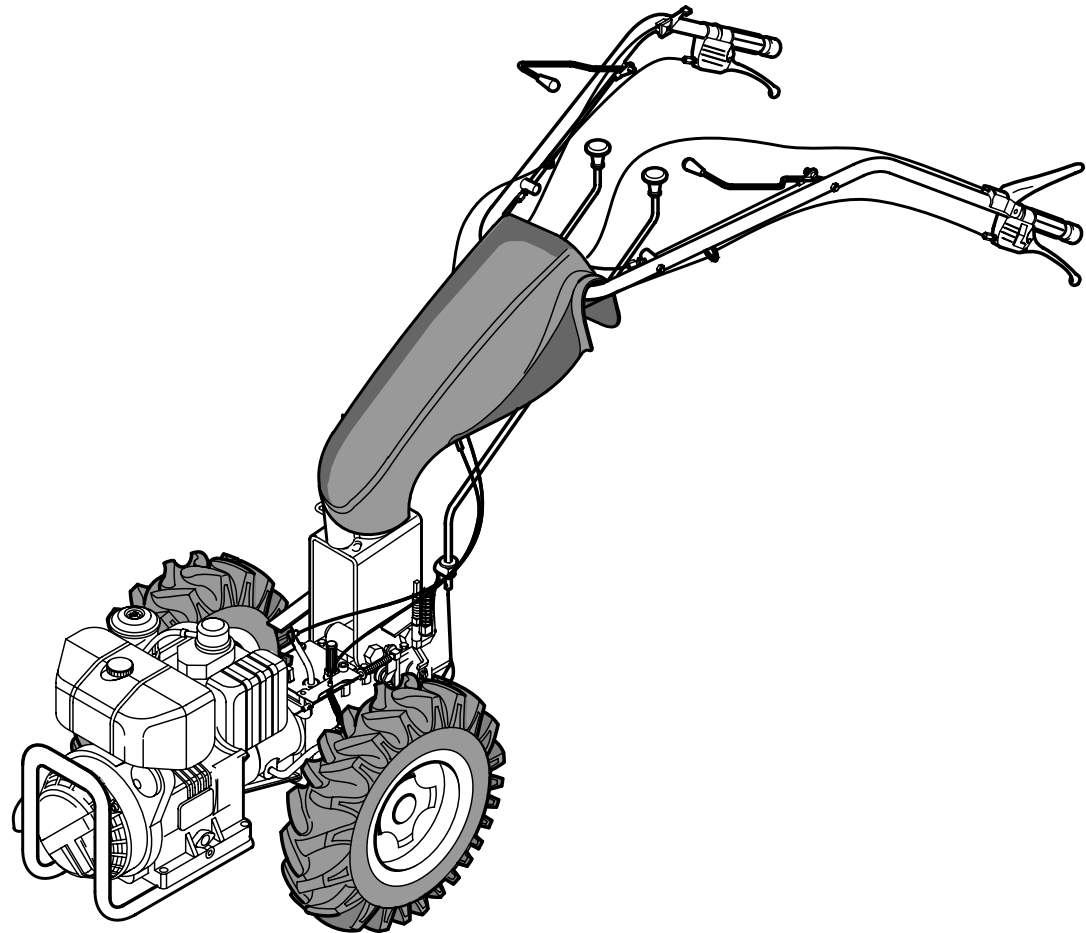


Mod. MTC 280 C/D (2ª VERS.)

Cod. 11182408

PARTI DI RICAMBIO
SPARE PARTS
PIECES DE RECHANGE
ERSATZTEILLISTE

FORT[®]

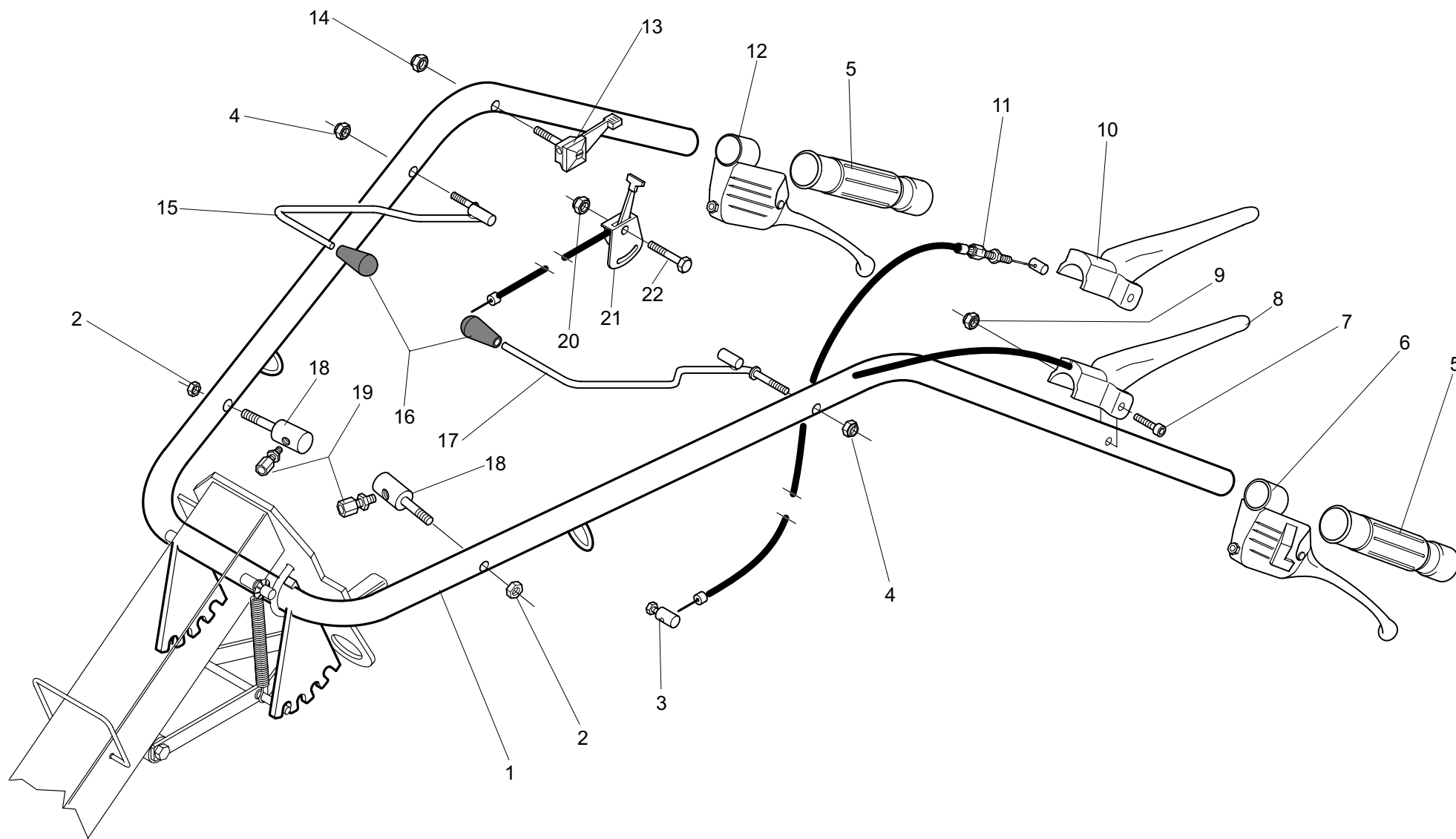


Mod. MTC 280 C/D (2ª VERS.)

Cod. 11182408MID



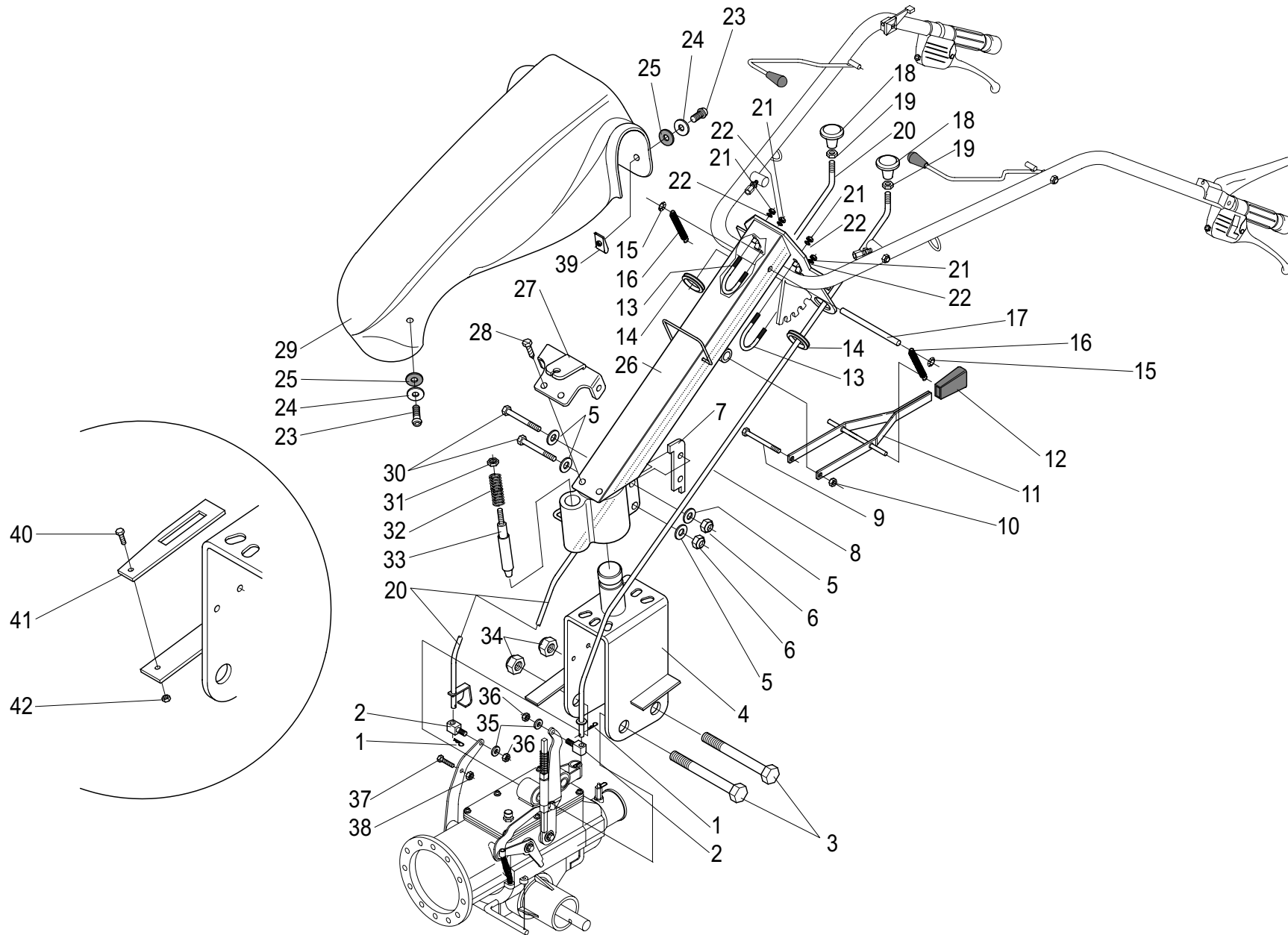
Tav.	1	Stegole di guida	handlebars	mancherons	führungsholm
Tav.	2	Piantone sterzo	steering column	support du volant	lenksäule
Tav.	3	Trasmissione	transmission	transmission	bodenzüge
Tav.	4	Carter	case	carter	gehäuset
Tav.	5	Cambio di velocità	gearbox	changement de vitesse	getriebe
Tav.	6	Differenziale	differential	differential	differential
Tav.	7	Accessori (GX 270)	accessoires (GX 270)	implements (GX 270)	nebensächlichkeiten (GX 270)



TAB. 01

STEGOLE DI GUIDA - HANDLEBARS
MANCHERONS - FÜHRUNGSHOLM

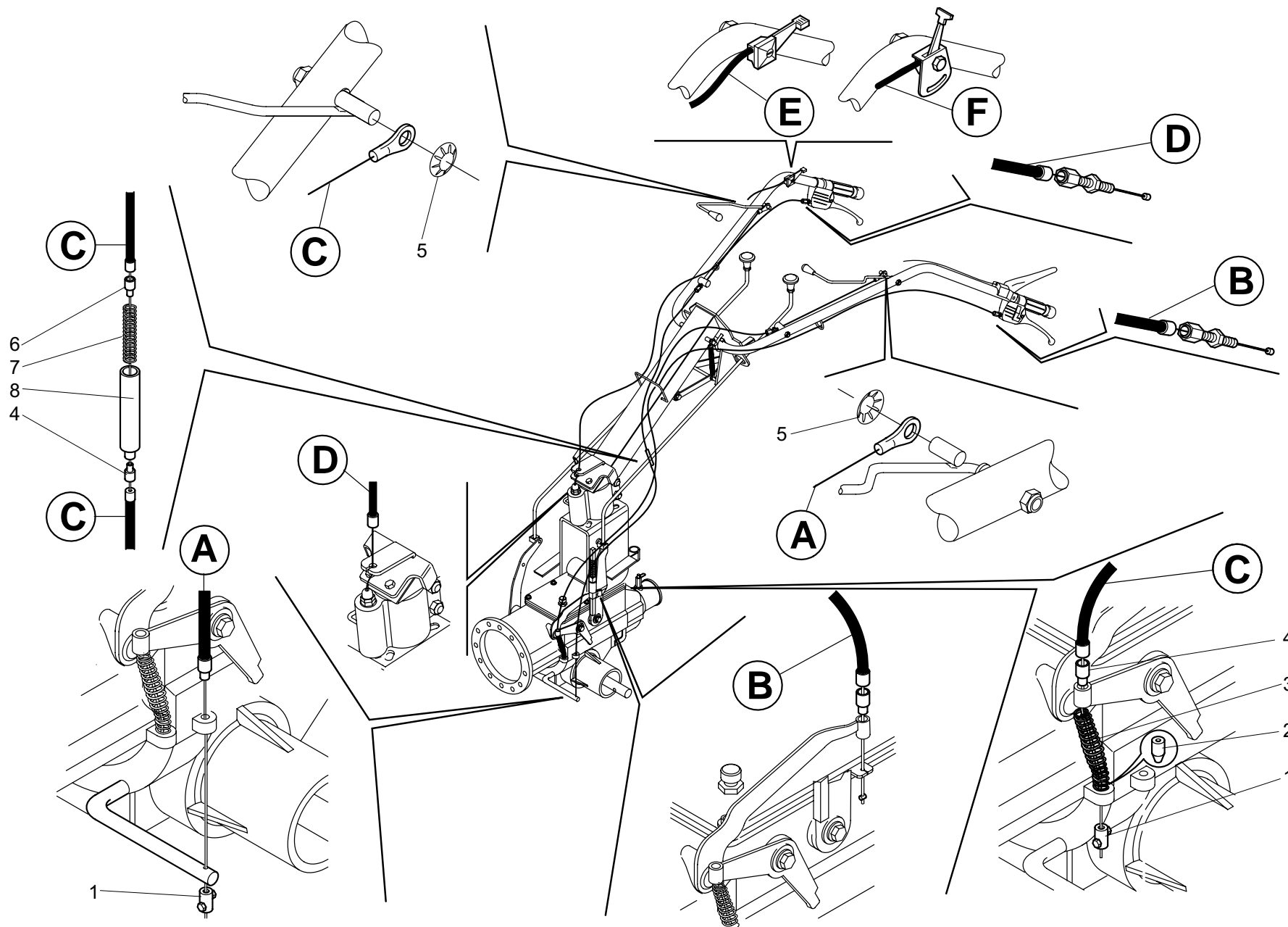
REF.	Q.	COD.	DESCRIZIONE	DESCRIPTION	DESCRIPTION	BENENNUNG
01	01	15765236	STEGOLE	HANDLEBARS	MANCHERONS	FÜHRUNGSHOLM
02	02	19954208	DADO	NUT	ECROU	MUTTER
03	01	14660242	MORSETTO (DIESEL)	CLAMP (DIESEL)	SERRE-CABLE (DIESEL)	SEILKLEMME (DIESEL)
04	02	19954254	DADO	NUT	ECROU	MUTTER
05	02	14680376	MANOPOLA	GRIP	POIGNEE	GRIFF
06	01	14660272	LEVA	LEVER	LEVIER	HEBEL
07	01	19952140	VITE	SCREW	VIS	SCHRAUBE
08	01	14660292	MOTORSTOP (BENZINA)	MOTORSTOP (GASOLINE)	MOTORSTOP (ESSEN.)	MOTORSTOP (BENZ.)
09	01	19954206	DADO	NUT	ECROU	MUTTER
10	01	14660293	MOTORSTOP (DIESEL)	MOTORSTOP (DIESEL)	MOTORSTOP (DIESEL)	MOTORSTOP (DIESEL)
11	01	15208003	FILO MOTORSTOP (DIESEL)	WIRE, MOTORSTOP (DIESEL)	CABLE MOTORSTOP (DIESEL)	MOTORSTOP SEIL (DIESEL)
12	01	14660276	LEVA	LEVER	LEVIER	HEBEL
13	01	14660203	MANETTINO GAS	LEVER, THROTTLE	ACCELERATEUR	GASHEBEL
14	01	19954206	DADO	NUT	ECROU	MUTTER
15	01	15765234	LEVA	LEVER	LEVIER	HEBEL
16	02	14660180	POMELLO	KNOB	TIRETTE	KNOBGRIFF
17	01	15765233	LEVA	LEVER	LEVIER	HEBEL
18	02	15765235	PERNO	PIN	AXE	BOLZEN
19	02	14660260	VITE REGISTRO	SCREW, ADJUSTMENT	VIS DE REGLAGE	STELLSCHRAUBE
20	01	19954253	DADO (B.&S.)	NUT (B.&S.)	ECROU (B.&S.)	MUTTER (B.&S.)
21	01	14660404	MANETTINO GAS (B.&S.)	LEVER, THROTTLE (B.&S.)	ACCELERATEUR (B.&S.)	GASHEBEL (B.&S.)
22	01	19952616	VITE (B.&S.)	SCREW (B.&S.)	VIS (B.&S.)	SCHRAUBE (B.&S.)



TAB. 02

STEGOLE DI GUIDA - HANDLEBARS
MANCHERONS - FÜHRUNGSHOLM

REF.	Q.	COD.	DESCRIZIONE	DESCRIPTION	DESCRIPTION	BENENNUNG
01	02	15001081	SPINA A MOLLA	SPRING CLIP	GOUPILLE RAPIDE	VORSTECKER
02	02	15205177	SNODO	JOINT	JOINT	GELENK
03	02	19952658	VITE	SCREW	VIS	SCHRAUBE
04	01	15765253	SUPPORTO	SUPPORT	SUPPORT	HALTERUNG
05	04	19955052	RONDELLA	WASHER	RONDELLE	SCHEIBE
06	02	19954208	DADO	NUT	ECROU	MUTTER
07	01	15765241	PIASTRINA	PLATE	PLAQUE	PLATTE
08	01	15765245	ASTA	ROD	TIGE	STANGE
09	01	19952644	VITE	SCREW	VIS	SCHRAUBE
10	01	19954210	DADO	NUT	ECROU	MUTTER
11	01	15765238	LEVA	LEVER	LEVIER	HEBEL
12	01	14680362	MANOPOLA	GRIP	POIGNEE	GRIFF
13	02	15765240	TIRANTE	TIE-ROD	TIRANT	SPANNBOLZEN
14	02	14680103	GOMMINO	RUBBER RING	CAOUTCHOUC	GUMMIRING
15	02	19958110	ANELLO ELASTICO	LOCKRING	ARRETOIR	SICHERUNGSRING
16	02	15767001	MOLLA	SPRING	RESSORT	FEDER
17	01	15765242	PERNO	PIN	AXE	BOLZEN
18	02	14660187	POMELLO	KNOB	BOUTON	KNEBELGRIFF
19	02	19954046	DADO	NUT	ECROU	MUTTER
20	01	15765244	ASTA	ROD	TIGE	STANGE
21	04	19954208	DADO	NUT	ECROU	MUTTER
22	04	19955052	RONDELLA	WASHER	RONDELLE	SCHEIBE
23	04	19952013	VITE	SCREW	VIS	SCHRAUBE
24	04	19955008	RONDELLA	WASHER	RONDELLE	SCHEIBE
25	04	19956177	GOMMINO	RUBBER RING	CAOUTCHOUC	GUMMIRING
26	01	15765237	SUPPORTO	SUPPORT	SUPPORT	HALTERUNG
27	01	15765252	SUPPORTO	SUPPORT	SUPPORT	HALTERUNG
28	02	19950203	VITE	SCREW	VIS	SCHRAUBE
29	01	15766005	COFANO PIANTONE	STEERING COVER	CAPOT DE SUPPORT DU VOLANT	HANDHOLMABDECKUNG
30	02	19952747	VITE	SCREW	VIS	SCHRAUBE
31	01	19954045	DADO	NUT	ECROU	MUTTER
32	01	15767000	MOLLA	SPRING	RESSORT	FEDER
33	01	15765239	PERNO	PIN	AXE	BOLZEN
34	02	19954256	DADO	NUT	ECROU	MUTTER
35	02	19955408	RONDELLA ELASTICA	SPRING WASHER	RONDELLE ELASTIQUE	FEDERSCHREIBE
36	02	19954254	DADO	NUT	ECROU	MUTTER
37	01	19952013	VITE	SCREW	VIS	SCHRAUBE
38	01	19954003	DADO	NUT	ECROU	MUTTER
39	04	19953201	DADO	NUT	ECROU	MUTTER
40	02	19952714	VITE	SCREW	VIS	SCHRAUBE
41	01	15765254	SELETTORE	SELECTOR	SLECTEUR	SELEKTOR
42	02	19954253	DADO	NUT	ECROU	MUTTER

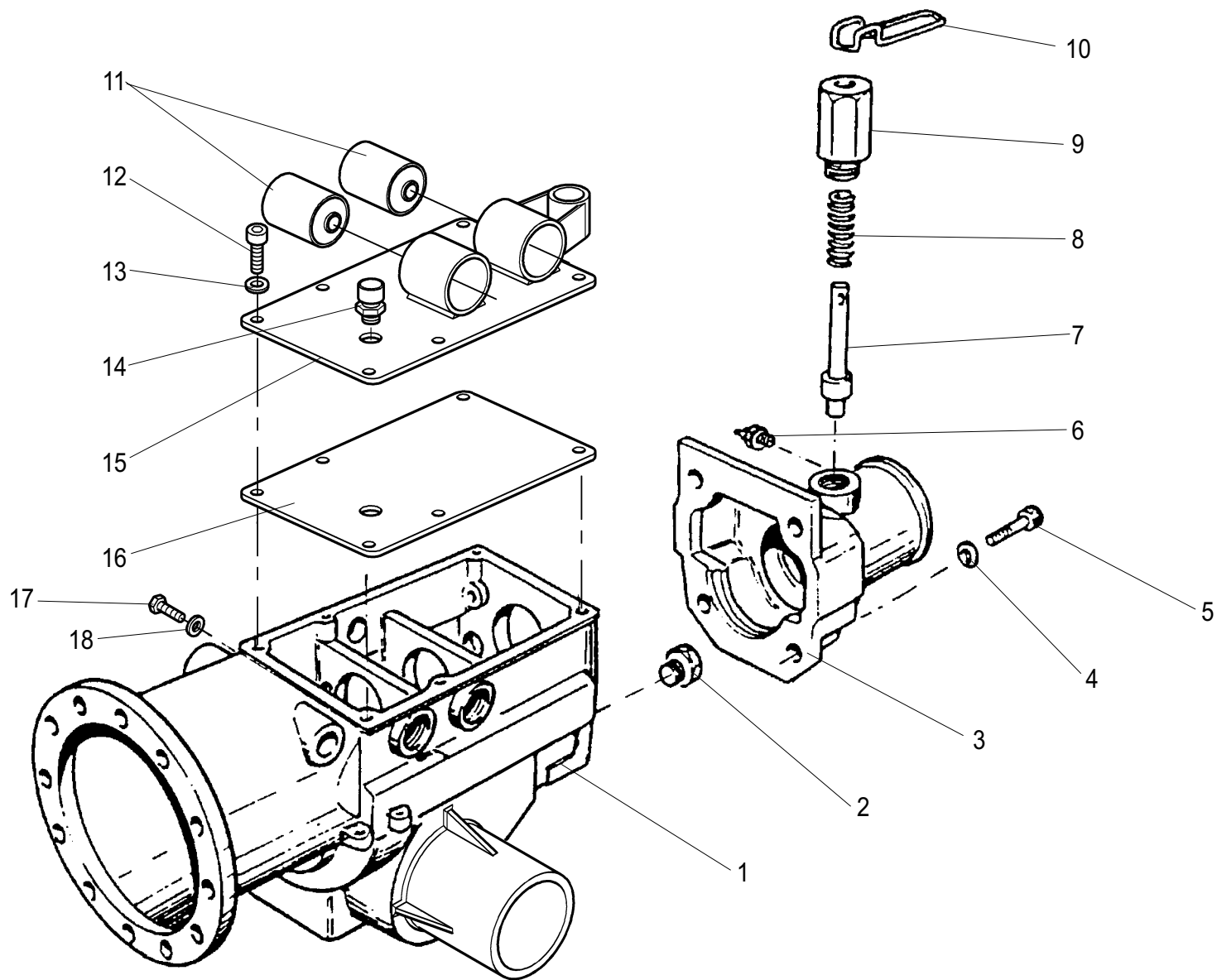


TAB. 03

TRASMISSIONE - TRANSMISSION
TRANSMISSION - BODENZÜGE



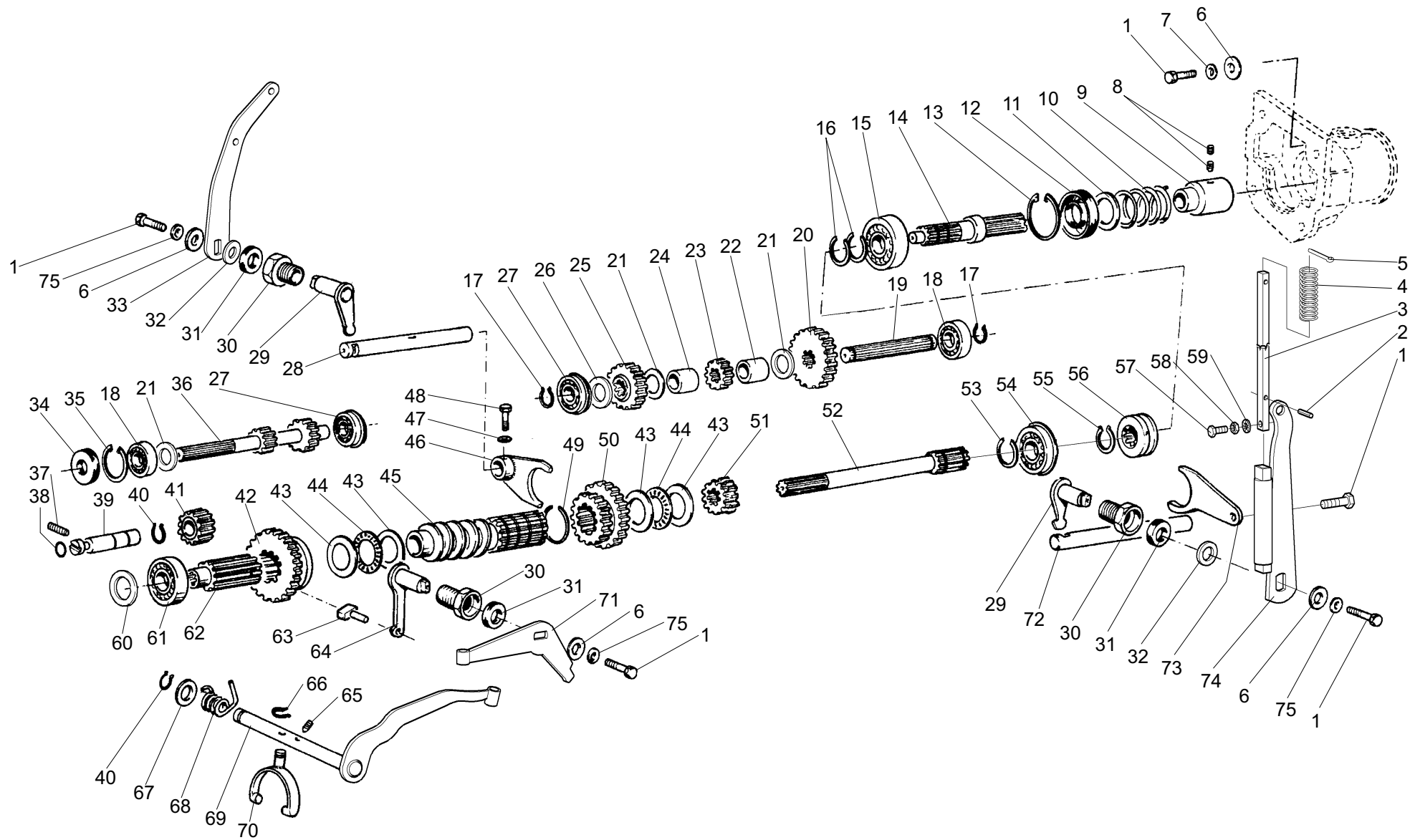
REF.	Q.	COD.	DESCRIZIONE	DESCRIPTION	DESCRIPTION	BENENNUNG
A	01	15768002	TRASMISSIONE	WIRE	CABLE	SEILZUG
B	01	15768001	TRASMISSIONE	WIRE	CABLE	SEILZUG
C	01	15768000	TRASMISSIONE	WIRE	CABLE	SEILZUG
D	01	15208002	TRASMISSIONE	WIRE	CABLE	SEILZUG
E	01	14660415	TRASMISSIONE	WIRE	CABLE	SEILZUG
F	01	14660404	MANETTINO GAS (B.&S.)	LEVER, THROTTLE (B.&S.)	ACCELERATEUR (B.&S.)	GASHEBEL (B.&S.)
01	02	14660243	MORSETTO	CLAMP	SERRE-CABLE	SEILKLEMME
02	01	15765079	DISTANZIALE	SPACER	ENTRETOISE	DISTANZSTÜCK
03	01	15765080	MOLLA	SPRING	RESSORT	SPRINGFEDER
04	01	14660250	BUSSOLA	BUSH	DOUILLE	BÜCHSE
05	02	19958110	ANELLO ELASTICO	LOCKRING	ARRETOIR	SICHERUNGSRING
06	01	14660232	BUSSOLA	BUSH	DOUILLE	BÜCHSE
07	01	15767002	MOLLA	SPRING	RESSORT	SPRINGFEDER
08	01	15215253	BUSSOLA	BUSH	DOUILLE	BÜCHSE



TAB. 04

CARTER - CASE
CARTER - GEHÄUSE

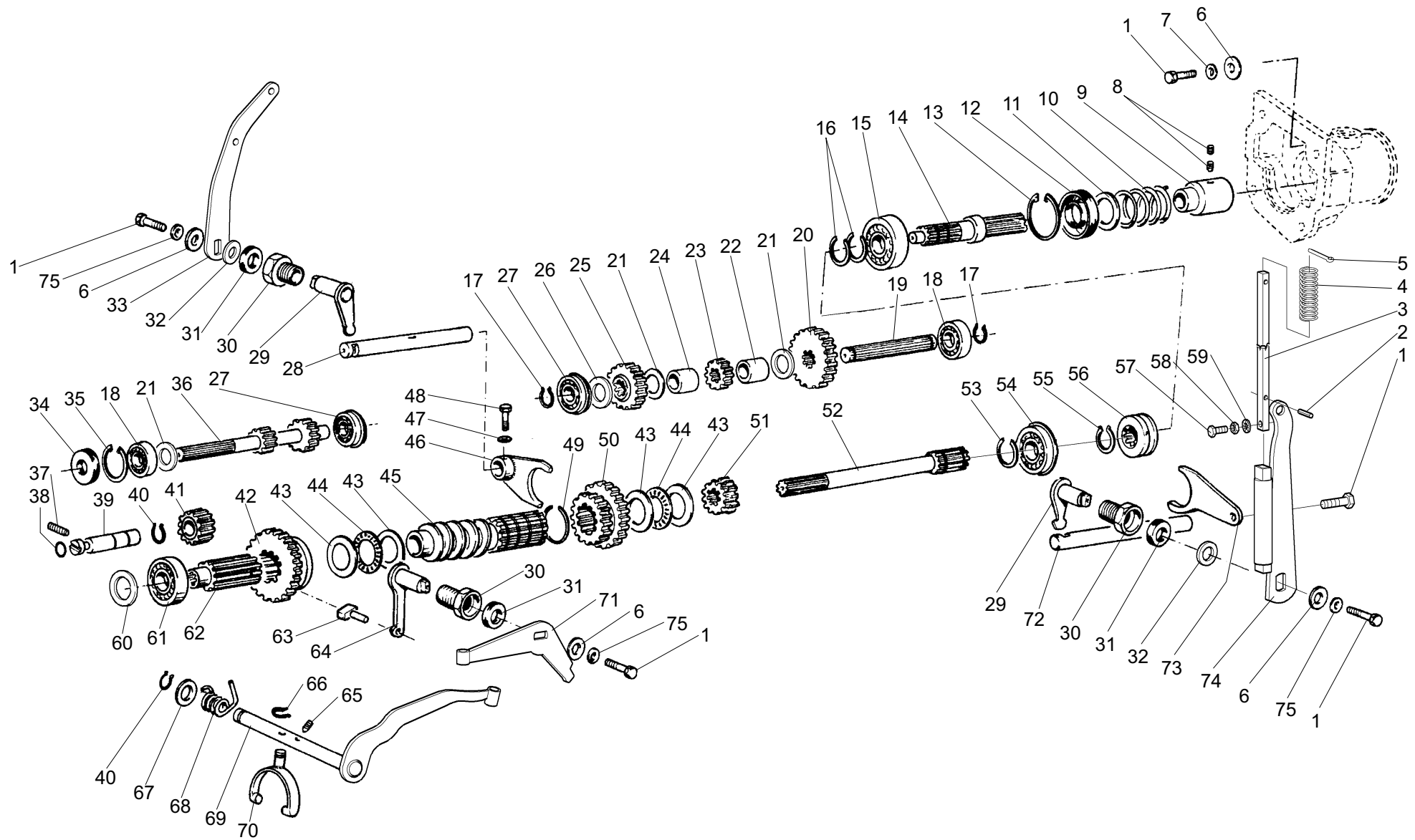
REF.	Q.	COD.	DESCRIZIONE	DESCRIPTION	DESCRIPTION	BENENNUNG
01	01	15762002	CARTER	GEARBOX	CARTER	GEHÄUSE
02	01	15005013	TAPPO	PLUG	BOUCHON	STOPFEN
03	01	15761003	COPERCHIO	COVER	COUVERCLE	DECKEL
04	04	19955274	RONDELLA	PLAIN WASHER	RONDELLE	SCHEIBE
05	04	19952134	VITE	SCREW	VIS	SCHRAUBE
06	01	19956203	INGRASSATORE	GREASE NIPPLE	GRAISSEUR	SCHMIERNIPPLE
07	01	15755059	PERNO	PIN	AXE	BOLZEN
08	01	15001035	MOLLA	SPRING	RESSORT	FEDER
09	01	15755058	BUSSOLA	BUSH	DOUILLE	BÜCHSE
10	01	15755049	LEVA	LEVER	LEVIER	HEBEL
11	02	14680401	SILENTBLOCK	SILENTBLOCK	SILENTBLOCK	SILENTBLOCK
12	06	19952128	VITE	SCREW	VIS	SCHRAUBE
13	06	19955273	RONDELLA	PLAIN WASHER	RONDELLE	SCHEIBE
14	01	14660125	TAPPO	PLUG	BOUCHON	STOPFEN
15	01	15765250	PIASTRA	PLATE	PLAQUE	PLATTE
16	01	15765243	COPERCHIO	COVER	COUVERCLE	DECKEL
17	01	19952709	VITE	SCREW	VIS	SCHRAUBE
18	01	19956164	GUARNIZIONE	GASKET	JOINT	DICHTUNG



TAB. 05

CAMBIO DI VELOCITA - GEARBOX
CHANGEMENT DE VITESSE - GETRIEBE

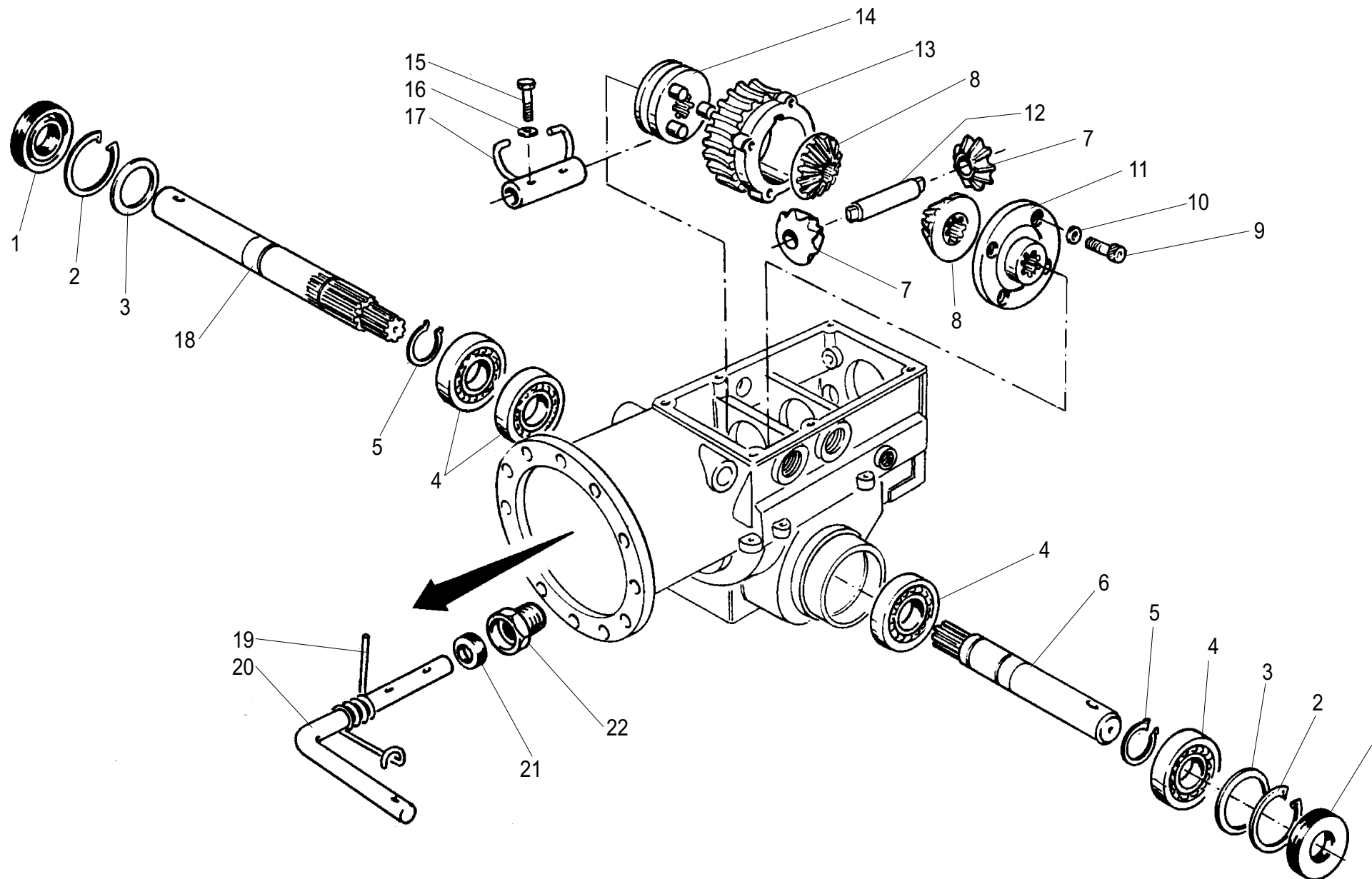
REF.	Q.	COD.	DESCRIZIONE	DESCRIPTION	DESCRIPTION	BENENNUNG
01	05	19952715	VITE	SCREW	VIS	SCHRAUBE
02	01	19955723	SPINA ELASTICA	ROLL PIN	GOUPILLE ELAST.	STIFT
03	01	15765249	ASTA	ROD	TIGE	STANGE
04	01	15001065	MOLLA	SPRING WASHER	RESSORT	FEDER
05	01	19957116	COPIGLIA	COTTER PIN	GOUPILLE FENDUE	SPLINT
06	04	19955009	RONDELLA	PLAIN WASHER	RONDELLE	SCHEIBE
07	01	19955408	RONDELLA ELASTICA	SPRING WASHER	RONDELLE ELASTIQUE	FEDERSCHREIBE
08	02	19952520	VITE	SCREW	VIS	SCHRAUBE
09	01	15544023	BOCCOLA	BUSH	DOUILLE	BÜCHSE
10	01	15001010	MOLLA	SPRING WASHER	RESSORT	FEDER
11	01	19956029	SPESSORE	SHIM	CALE D'EPAISSEUR	DISTANZSCHEIBE
12	01	19921028	ANELLO DI TENUTA	SEAL RING	BAGUE D'ETANCHEITE	DICHTRING
13	01	19955652	ANELLO ELASTICO	LOCKRING	ARRETOIR	SICHERUNGSRING
14	01	15764012	ALBERO	SHAFT	ARBRE	WELLE
15	01	19902521	CUSCINETTO	BEARING	ROULEMENT	LAGER
16	02	19955519	ANELLO ELASTICO	LOCKRING	ARRETOIR	SICHERUNGSRING
17	02	19955515	ANELLO ELASTICO	LOCKRING	ARRETOIR	SICHERUNGSRING
18	02	19902311	CUSCINETTO	BEARING	ROULEMENT	LAGER
19	01	15764022	ALBERO	SHAFT	ARBRE	WELLE
20	01	15764025	INGRANAGGIO	GEAR	PIGNON	ZAHNRAD
21	03	19956004	SPESSORE	SHIM	CALE D'EPAISSEUR	DISTANZSCHEIBE
22	01	15765021	DISTANZIALE	SPACER	ENTRETOISE	DISTANZSTÜCK
23	01	15764024	INGRANAGGIO	GEAR	PIGNON	ZAHNRAD
24	01	15765020	DISTANZIALE	SPACER	ENTRETOISE	DISTANZSTÜCK
25	01	15764023	INGRANAGGIO	GEAR	PIGNON	ZAHNRAD
26	01	19956013	SPESSORE	SHIM	CALE D'EPAISSEUR	DISTANZSCHEIBE
27	02	19902313	CUSCINETTO	BEARING	ROULEMENT	LAGER
28	01	15765141	ALBERO	SHAFT	ARBRE	WELLE
29	02	15765005	LEVA	LEVER	LEVIER	HEBEL
30	03	15765058	BUSSOLA	BUSH	DOUILLE	BÜCHSE
31	03	19922066	ANELLO DI TENUTA	SEAL RING	BAGUE D'ETANCHEITE	DICHTRING
32	02	19956036	SPESSORE	SHIM	CALE D'EPAISSEUR	DISTANZSCHEIBE
33	01	15765247	LEVA	LEVER	LEVIER	HEBEL
34	01	19922061	ANELLO DI TENUTA	SEAL RING	BAGUE D'ETANCHEITE	DICHTRING
35	01	19955635	ANELLO ELASTICO	LOCKRING	ARRETOIR	SICHERUNGSRING
36	01	15764010	ALBERO	SHAFT	ARBRE	WELLE
37	01	19952509	VITE	SCREW	VIS	SCHRAUBE
38	01	19923090	ANELLO OR	O RING	BAGUE DE CAOUTCHOUC	O-RING
39	01	15764013	ALBERO	SHAFT	ARBRE	WELLE
40	02	19955514	ANELLO ELASTICO	LOCKRING	ARRETOIR	SICHERUNGSRING



TAB. 05

CAMBIO DI VELOCITA - GEARBOX
CHANGEMENT DE VITESSE - GETRIEBE

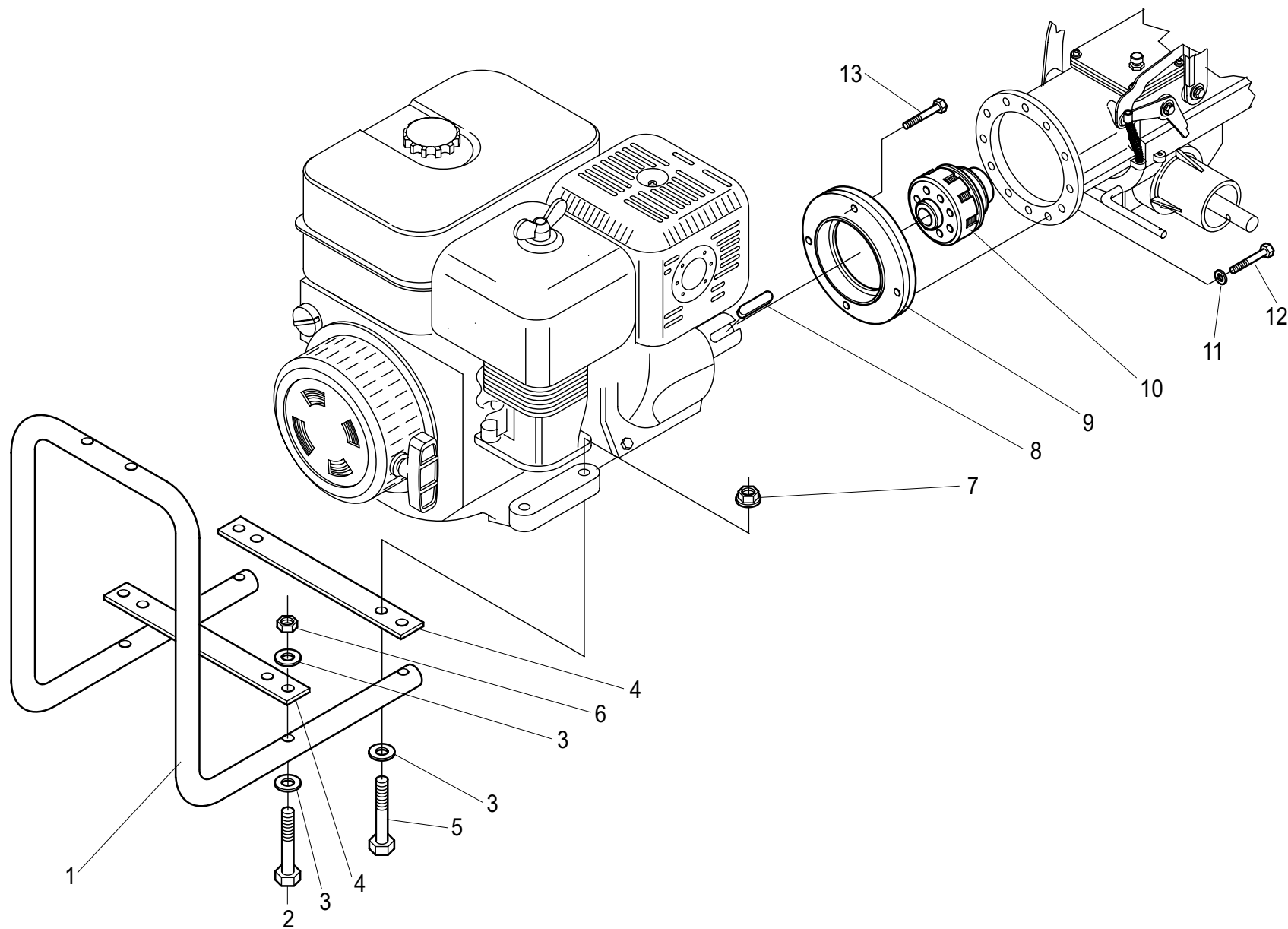
REF.	Q.	COD.	DESCRIZIONE	DESCRIPTION	DESCRIPTION	BENENNUNG
41	01	15764026	INGRANAGGIO	GEAR	PIGNON	ZAHNRAD
42	01	15764011	INGRANAGGIO	GEAR	PIGNON	ZAHNRAD
43	04	19910004	RALLA	BEARING DISC	CRAPAUDINE	LAGERSCHALE
44	02	19910003	CUSCINETTO	BEARING	ROULEMENT	LAGER
45	01	15764019	VITE SENZA FINE	WORM SCREW	VIS SANS FIN	ENDLOSSCHRAUBE
46	01	15765006	FORCELLA	YOKE	FOURCHETTE	GABEL
47	01	19955306	RONDELLA	WASHER	RONDELLE	SCHEIBE
48	01	19952113	VITE	SCREW	VIS	SCHRAUBE
49	01	15765046	MOLLA	SPRING WASHER	RESSORT	FEDER
50	01	15764018	INGRANAGGIO	GEAR	PIGNON	ZAHNRAD
51	01	15764016	PIGNONE	PINION	PIGNON	RITZEL
52	01	15764014	ALBERO	SHAFT	ARBRE	WELLE
53	01	19910820	ANELLO ELASTICO	LOCKRING	ARRETOIR	SICHERUNGSRING
54	01	19902523	CUSCINETTO	BEARING	ROULEMENT	LAGER
55	01	15765045	MOLLA	SPRING WASHER	RESSORT	FEDER
56	01	15764027	MANICOTTO	FITTING	MANCHON	MUFFE
57	01	19952719	VITE	SCREW	VIS	SCHRAUBE
58	01	19954041	DADO	NUT	ECROU	MUTTER
59	01	19955305	RONDELLA	WASHER	RONDELLE	SCHEIBE
60	01	19956071	SPESSORE	SHIM	CALE D'EPAISSEUR	DISTANZSCHEIBE
61	01	19902326	CUSCINETTO	BEARING	ROULEMENT	LAGER
62	01	15764015	BOCCOLA	BUSH	DOUILLE	BÜCHSE
63	01	15204037	PATTINO	SKID PLATE	PATIN	GLEITSTÜCK
64	01	15765008	LEVA	LEVER	LEVIER	HEBEL
65	01	19952522	VITE	SCREW	VIS	SCHRAUBE
66	01	19955508	ANELLO ELASTICO	LOCKRING	ARRETOIR	SICHERUNGSRING
67	01	19956011	SPESSORE	SHIM	CALE D'EPAISSEUR	DISTANZSCHEIBE
68	01	15765056	MOLLA	SPRING WASHER	RESSORT	FEDER
69	01	15765044	LEVA	LEVER	LEVIER	HEBEL
70	01	15053048	FORCELLA	YOKE	FOURCHETTE	GABEL
71	01	15765246	LEVA	LEVER	LEVIER	HEBEL
72	01	15765029	ALBERO	SHAFT	ARBRE	WELLE
73	01	15765007	FORCELLA	YOKE	FOURCHETTE	GABEL
74	01	15765248	LEVA	LEVER	LEVIER	HEBEL
75	03	19955273	RONDELLA ELASTICA	SPRING WASHER	RONDELLE ELASTIQUE	FEDERSCHREIBE



TAB. 06

DIFFERENZIALE - DIFFERENTIAL
DIFFERENTIAL - DIFFERENTIAL

REF.	Q.	COD.	DESCRIZIONE	DESCRIPTION	DESCRIPTION	BENENNUNG
01	02	19921028	ANELLO DI TENUTA	SEAL RING	BAGUE D'ETANCHEITE	DICHTRING
02	02	19955652	ANELLO ELASTICO	LOCKRING	ARRETOIR	SICHERUNGSRING
03	02	19956052	SPESSORE	SHIM	CALE D'EPAISSEUR	DISTANZSCHEIBE
04	04	19902326	CUSCINETTO	BEARING	ROULEMENT	LAGER
05	02	19955524	ANELLO ELASTICO	LOCKRING	ARRETOIR	SICHERUNGSRING
06	01	15764037	SEMIASSE SX	HALF-SHAFT L.H.	DEMI-ESSIU G.	ACHSWELLEN L.
07	02	15764033	INGRANAGGIO SATELLITE	GEAR	ENGRENAGE	ZAHNRAD
08	02	15764034	INGRANAGGIO PLANETARIO	GEAR	ENGRENAGE	ZAHNRAD
09	04	19952114	VITE	SCREW	VIS	SCHRAUBE
10	04	19955308	ROSETTA ELASTICA	SPRING WASHER	RONDELLE ELASTIQUE	FEDERSCHEIBE
11	01	15764032	COPERCHIO	COVER	COUVERCLE	DECKEL
12	01	15764036	PERNO	PIN	AXE	BOLZEN
13	01	15764031	CORONA DENTATA	RING GEAR	COURONNE DENTEE	ZAHNKRANZ
14	01	15584014	INNESTO	DOG-CLAW	CLABOT	SCHIEBEKUPPLUNG
15	02	19952719	VITE	SCREW	VIS	SCHRAUBE
16	02	19955305	ROSETTA ELASTICA	SPRING WASHER	RONDELLE ELASTIQUE	FEDERSCHEIBE
17	01	15765009	FORCELLA	FORK	FOURCHE	GABEL
18	01	15764038	SEMIASSE DX	HALF-SHAFT R.H.	DEMI-ESSIU D.	ACHSWELLEN R.
19	01	15227056	MOLLA	SPRING WASHER	RESSORT	FEDER
20	01	15765059	LEVA	LEVER	LEVIER	HEBEL
21	01	19922031	ANELLO DI TENUTA	SEAL RING	BAGUE D'ETANCHEITE	DICHTRING
22	01	15765057	BOCCOLA	BUSH	DOUILLE	BÜCHSE



TAB. 07
ACCESSORI (GX 270) - ACCESSOIRES (GX 270)
IMPLEMENTS (GX 270) - NEBENSÄCHLICHKETEN (GX 270)


REF.	Q.	COD.	DESCRIZIONE	DESCRIPTION	DESCRIPTION	BENENNUNG
01	01	15765177	PARAURTI	BUMPER	PARE-CHOCS	STOSSTANGE
02	04	19952617	VITE	SCREW	VIS	SCHRAUBE
03	12	19955052	RONDELLA	WASHER	RONDELLE	SCHEIBE
04	02	15765195	RIGA	ROD	TIGE	STANGE
05	04	19952747	VITE	SCREW	VIS	SCHRAUBE
06	04	19954254	DADO	NUT	ECROU	MUTTER
07	04	19953908	DADO	NUT	ECROU	MUTTER
08	01	-----	CHIAVETTA 7x7x33	SPLINE 7x7x33	CLAVETTE 7x7x33	KEIL 7x7x33
09	01	15202214	FLANGIA	FLANGE	BRIDE	FLANSCH
10	01	14610375	FRIZIONE	CLUTCH	EMBRAYAGE	KUPPLUNG
11	06	19955308	RONDELLA ELASTICA	SPRING WASHER	RONDELLE ELASTIQUE	FEDERSCHREIBE
12	06	19952133	VITE	SCREW	VIS	SCHRAUBE
13	04	19952128	VITE	SCREW	VIS	SCHRAUBE