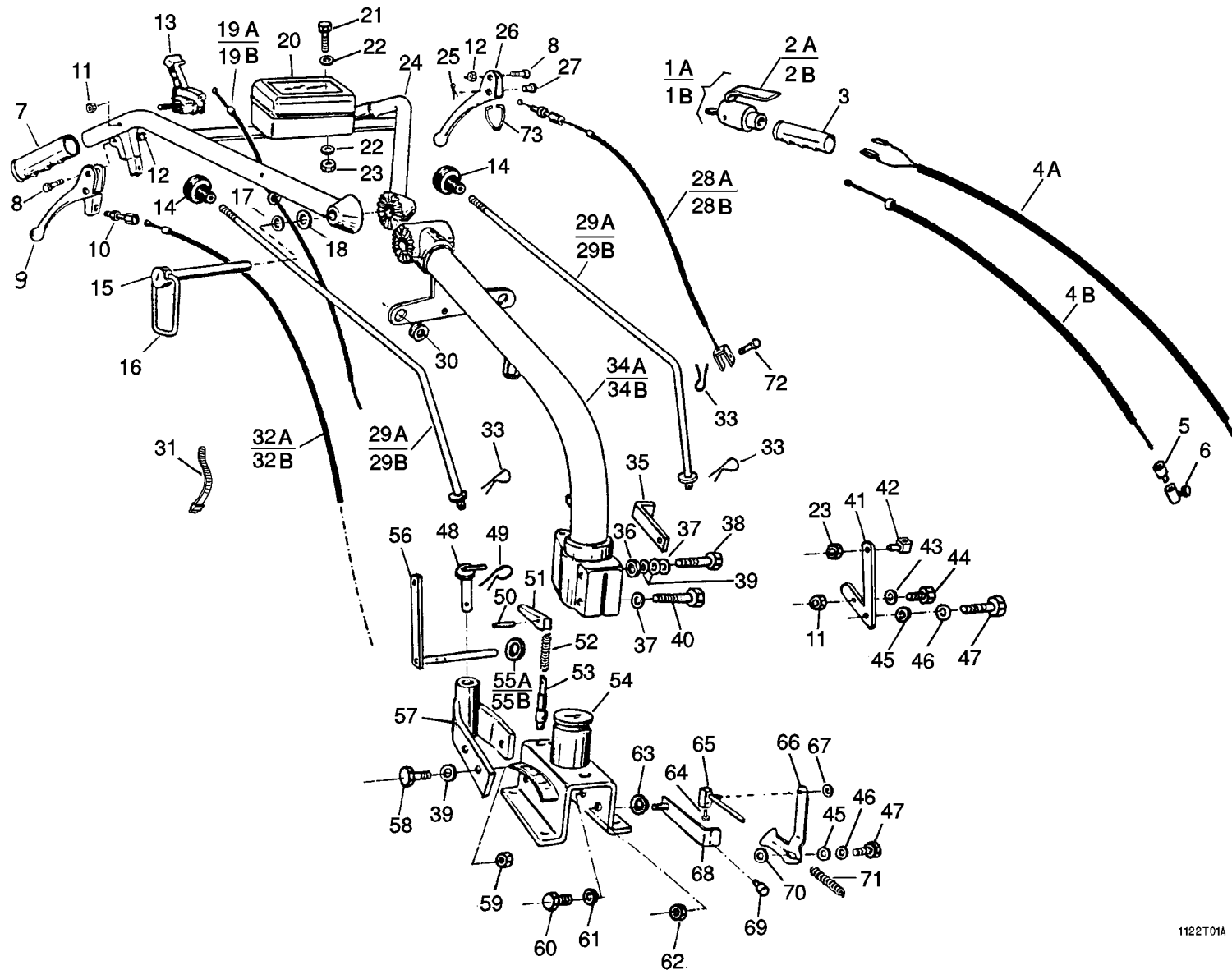


**MOD. 1120 - 1122**  
**ELENCO PARTI DI RICAMBIO**  
***SPARE PARTS LIST***  
**LISTE DES PIECES DE RECHANGE**  
***ERSATZTEILLISTE***

Tab. 1	STEGOLE DI GUIDA - <i>HANDLEBARS</i> - MANCHERONS - <i>STERZ</i> .....	Rev. 9310
Tab. 2	COMANDI (vecchio modello) - <i>DRIVES (old model)</i> - COMMANDES (vieux modèle) - <i>STEUEURUNG (altes modell)</i> .....	Rev. 9310
Tab. 3	CARTER - <i>CASE</i> - CARTER - <i>GEHÄUSE</i> .....	Rev. 9310
Tab. 4	CAMBIO DI VELOCITÀ - <i>GEARBOX</i> - CHANGEMENT DE VITESSE - <i>GETRIEBE</i> .....	Rev. 9310
Tab. 5	DIFFERENZIALE BLOCCABILE - <i>DIFFERENTIAL WITH LOCK</i> - DIFFERENTIEL - <i>DIFFERENTIAL</i> .....	Rev. 9310
Tab. 6	FRENI - <i>BRAKES</i> - FREINS - <i>BREMSEN</i> .....	Rev. 9310
Tab. 7	PROLUNGA FRESA - <i>EXTENDER FOR TILLER</i> - RALLONGE POUR FRAISE - <i>VERLÄNGERUNG</i> .....	Rev. 9310
Tab. 8	PRESA DI FORZA - <i>POWER TAKE OFF</i> - PRISE DE FORCE - <i>ZAPFWELLE</i> .....	Rev. 9310
Tab. 9	COFANI - <i>FAIRINGS</i> - CARENAGES - <i>KAROSSERIEN</i> .....	Rev. 9310
Tab. 9a	COFANO (INTERMOTOR) - <i>MOTOR HOOD</i> - COFFRE - <i>MOTORHAUBE</i> .....	Rev. 9310
Tab. 10	IMPIANTO ELETTRICO - <i>ELECTRICAL SYSTEM</i> - INSTALLATION ELECTRIQUE - <i>ELEKTRISCHE ANLAGE</i> .....	Rev. 9310
Tab. 11	GRUPPO FRESA - <i>TILLER</i> - FRAISE - <i>FRÄSE</i> .....	Rev. 9310

Tab. 1 - STEGOLE DI GUIDA - HANDLEBARS - MANCHERONS - FURHUNGSHOLM



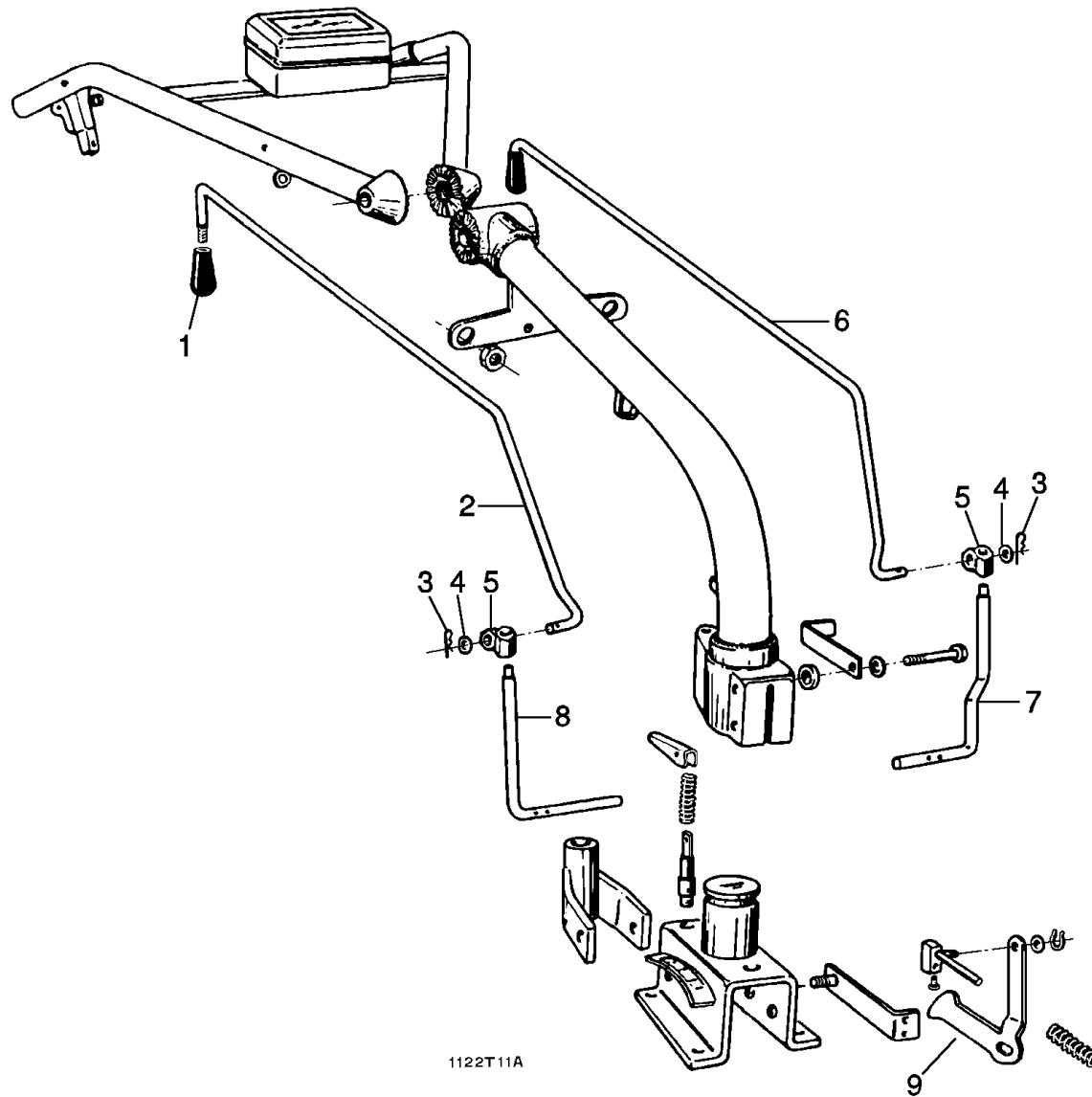
**Tab. 1 - STEGOLE DI GUIDA - HANDLEBARS - MANCHERONS - STERZ**

REF.	Q.	COD.	DESCRIZIONE	DESCRIPTION	DESCRIPTION	BENENNUNG
01a	01	14660238	MOTORSTOP (Diesel)	MOTORSTOP, (Diesel)	MOTORSTOP (Diesel)	MOTORSTOP (Diesel)
01b	01	14660239	MOTORSTOP (Benzina)	MOTORSTOP, (Gasoline)	MOTORSTOP (Essence)	MOTORSTOP (Benzin)
02a	01	14660226	LEVA MOTORSTOP (Diesel)	LEVER (Diesel)	LEVIER (Diesel)	HEBEL (Diesel)
02b	01	14660225	LEVA MOTORSTOP (Benzina)	LEVER (Gasoline)	LEVIER (Essence)	HEBEL (Benzin)
03	01	14680368	MANOPOLA MOTORSTOP	MOTORSTOP GRIP	POIGNE MOTORSTOP	MOTORSTOPGRIFF
04a	01	14670104	FILO MOTORSTOP	WIRE, MOTORSTOP	CABLE MOTORSTOP	MOTORSTOPSEIL
04b	01	14660385	TRASMISSIONE	WIRE, ASS.Y	CABLE COMPLET	SEIL KOMPLETT
05	01	14660263	BARILOTTO	BUSHING	BARILLET	ZYLINDER
06	01	14660242	MORSETTO SERRAFILO	CLAMP	SERRE-CABLE	SEILKLEMME
07	01	14680364	MANOPOLA	GRIP	POIGNE	GRIFF
08	02	14660236	VITE	SCREW	VIS	SCHRAUBE
09	01	14660223	LEVA	LEVER	LEVIER	HEBEL
10	01	14660257	VITE REGISTRO	SCREW, ADJUSTMENT	VIS DE REGLAGE	STELLSCHRAUBE
11	02	19954206	DADO	NUT	ECROU	MUTTER
12	02	19954253	DADO	NUT	ECROU	MUTTER
13	01	14660203	MANETTINO GAS	LEVER, THROTTLE	ACCELERATEUR	GASHEBEL
14	02	14660187	POMELLO	KNOB	BOUTON	KNEBELGRIFF
15	01	19952688	VITE	SCREW	VIS	SCHRAUBE
16	01	15001033	MOLLA	SPRING	RESSORT	FEDER
17	01	19955276	ROSETTA ELASTICA	SPRING WASHER	RONDELLE ELASTIQUE	FEDERSCHEIBE
18	01	19955055	RONDELLA	WASHER	RONDELLE	SCHEIBE
19a	01	14660342	TRASMISSIONE (mod.France)	WIRE, THROTTLE, (France)	CABLE COMPLET (France)	GAS-SEILZUG (France)
19b	01	14660393	TRASMISSIONE GAS	WIRE, THROTTLE, ASS.Y	CABLE COMPLET	GAS-SEILZUG KOMPLETT
20	01	15005011	PORTA ATTREZZI	TOOL BOX	TROUSSE PORTEOUTILS	GERÄTETUI
21	02	19952721	VITE	SCREW	VIS	SCHRAUBE
22	04	19955052	RONDELLA	WASHER	RONDELLE	SCHEIBE
23	03	19954254	DADO	NUT	ECROU	MUTTER
24	01	15205074	STEGOLE	HANDLEBARS	MANCHERONS	STERZ
25	01	19957104	COPIGLIA	COTTER PIN	GOUPILLE FENDUE	SPLINT
26	01	14660220	LEVA	LEVER	LEVIER	HEBEL
27	01	14660230	BARILOTTO	BUSHING	BARILLET	ZYLINDER
28a	01	14660341	TRASM. FRIZIONE (France)	WIRE, ASS.Y (France)	CABLE COMPLET (France)	KUPPLUNGSEIL KOMP. (Fr.)
28b	01	14660374	TRASMISSIONE FRIZIONE	WIRE, ASS.Y	CABLE COMPLET	KUPPLUNGSEIL KOMPLETT
29a	02	15205180	ASTA (avv. elettrico)	ROD (electric starting)	TIGE (allumage elec.)	STANGE (elek. anlasser)
29b	02	15205179	ASTA	ROD	TIGE	STANGE
30	02	14680101	GOMMINO	RUBBER RING	CAOUTCHOUC	GUMMIRING
31	02	14680801	FASCETTA	STRAP	COLLIER	HALTERBAND
32a	01	14660343	TRASMISSIONE (France)	WIRE, ASS.Y (France)	CABLE COMPLET (France)	KUPPLUNGSEIL KOMP. (Fr.)
32b	01	14660377	TRASMISSIONE	WIRE, ASS.Y	CABLE COMPLET	SEIL KOMPLETT
33	03	15001081	COPIGLIA	COTTER PIN	GOUPILLE FENDUE	SPLINT
34a	01	15205108	SUPPORTO COMP. (France)	SUPPORT, ASS.Y (France)	SUPPORT COMP. (France)	HALTERUNG KOMP. (Fr.)
34b	01	15205075	SUPPORTO COMPLETO	SUPPORT	SUPPORT COMPLET	HALTERUNG KOMPLETT
35	01	15205102	SQUADRETTA	BRACKET	EQUERRE	WINKEL
36	01	15055093	DISTANZIALE	SPACER	ENTRETOISE	DISTANZSTÜCK

**Tab. 1 - STEGOLE DI GUIDA - HANDLEBARS - MANCHERONS - STERZ**

REF.	Q.	COD.	DESCRIZIONE	DESCRIPTION	DESCRIPTION	BENENNUNG
37	02	19955274	ROSETTA ELASTICA	SPRING WASHER	RONDELLE ELASTIQUE	FEDERSCHEIBE
38	01	19952650	VITE	SCREW	VIS	SCHRAUBE
39	04	19955053	RONDELLA	WASHER	RONDELLE	SCHEIBE
40	01	19952631	VITE	SCREW	VIS	SCHRAUBE
41	01	15205172	LEVA	LEVER	LEVIER	HEBEL
42	02	15205177	SNODO	JOINT	JOINT	GELENK
43	01	15205042	RONDELLA	WASHER	RONDELLE	SCHEIBE
44	01	19952720	VITE	SCREW	VIS	SCHRAUBE
45	02	19955009	RONDELLA	WASHER	RONDELLE	SCHEIBE
46	02	19955408	ROSETTA ELASTICA	SPRING WASHER	RONDELLE ELASTIQUE	FEDERSCHEIBE
47	02	19952715	VITE	SCREW	VIS	SCHRAUBE
48	01	15205144	PERNO	PIN	AXE	BOLZEN
49	01	15001085	SPINA A MOLLA	SPRING CLIP	GOUPILLE RAPIDE	VORSTECKER
50	01	19955709	SPINA	PIN	GOUPILLE	STIFT
51	01	15205097	LEVA	LEVER	LEVIER	HEBEL
52	01	15001035	MOLLA	SPRING	RESSORT	FEDER
53	01	15205096	PERNO	PIN	AXE	BOLZEN
54	01	15205047	SUPPORTO	SUPPORT	SUPPORT	HALTERUNG
55a	01	19956151	RONDELLA (OTTONE)	WASHER (BRASS)	RONDELLE (LAITON)	SCHEIBE (MESSING)
55b	01	19955012	RONDELLA	WASHER	RONDELLE	SCHEIBE
56	01	15205171	ALBERO CON LEVA	LEVER, CLUTCH	LEVIER DE L'EMBRAYAGE	KUPPLUNGSHEBEL
57	01	15205054	ATTACCO TRAINO	TOW HOOK	ATTELAGE	VERBINDUNG
58	02	19952738	VITE	SCREW	VIS	SCHRAUBE
59	02	19954255	DADO	NUT	ECROU	MUTTER
60	01	19952723	VITE	SCREW	VIS	SCHRAUBE
61	01	19955275	ROSETTA ELASTICA	SPRING WASHER	RONDELLE ELASTIQUE	FEDERSCHEIBE
62	01	15205062	DADO	NUT	ECROU	MUTTER
63	01	19955016	RONDELLA	WASHER	RONDELLE	SCHEIBE
64	01	19952709	VITE	SCREW	VIS	SCHRAUBE
65	01	15205064	SNODO	JOINT	JOINT	GELENK
66	01	15205173	LEVA	LEVER	LEVIER	HEBEL
67	01	19955508	ANELLO ELASTICO	LOCKRING	ARRETOIR	SICHERUNGSRING
68	01	15205063	SQUADRETTA	BRACKET	EQUERRE	WINKEL
69	01	14660250	BUSSOLA	BUSH	DOUILLE	BÜCHSE
70	01	19956020	SPESSORE	THICKNESS	CALE D'EPaisseur	DISTANZSCHEIBE
71	01	15207042	MOLLA	SPRING	RESSORT	FEDER
72	01	14650612	SPINA	PIN	GOUPILLE	STIFT
73	01	14660233	BLOCCO FRIZIONE	LOCK, CLUTCH	BLOC DE L'EMBRAYAGE	BLOCKIERUNG

Tab. 2 - COMANDI (vecchio modello) - DRIVES (old model)- COMMANDES (vieux modèle) - STEUERUNG (altes modell)

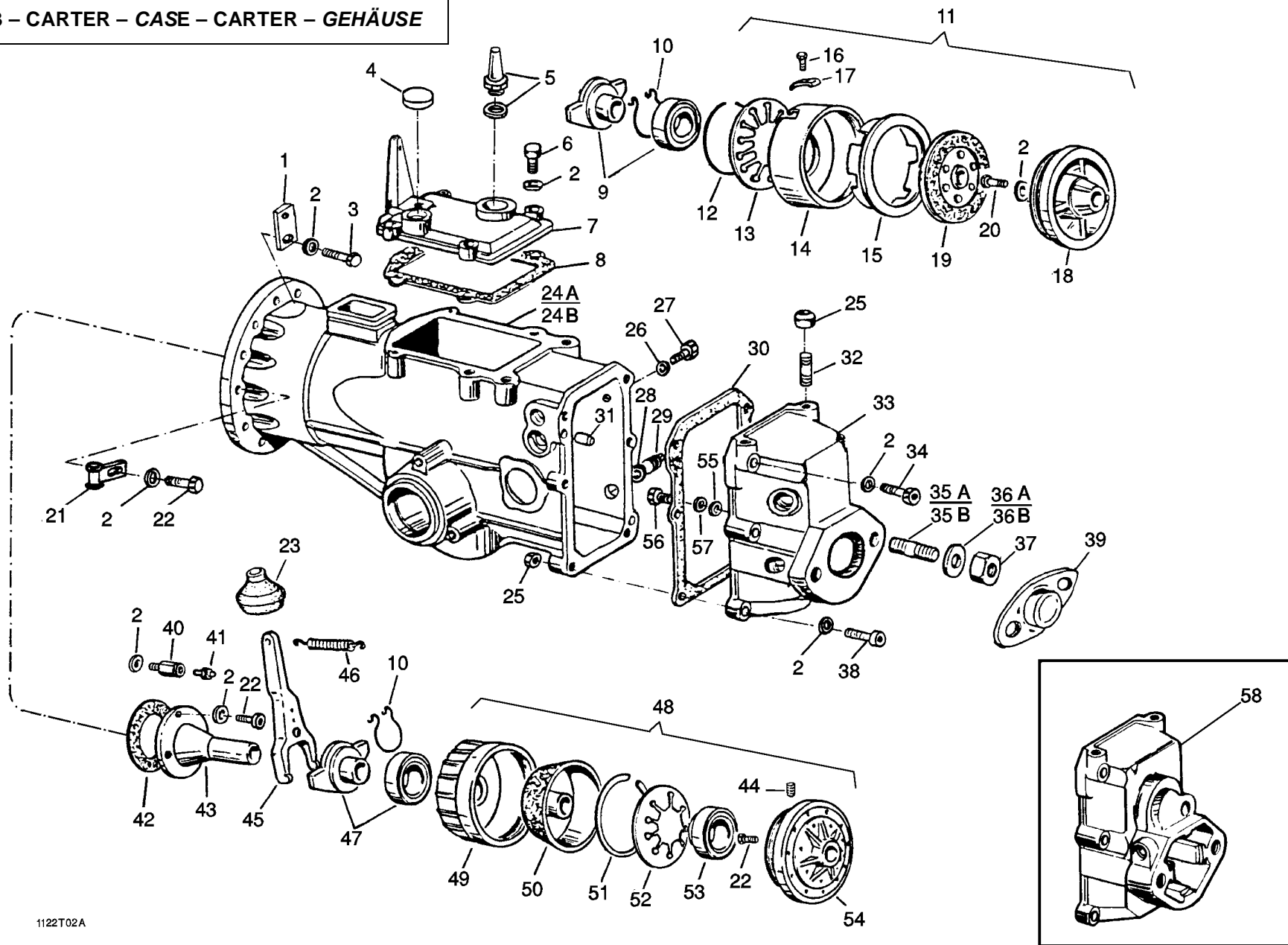


1122T11A

**Tab. 2 - COMANDI (vecchio modello) - DRIVES (old model)- COMMANDES (vieux modèle) - STEUEURUNG (altes modell)**

REF.	Q.	COD.	DESCRIZIONE	DESCRIPTION	DESCRIPTION	BENENNUNG
1	02	14660181	POMELLO	KNOB	BOUTON	KNEBELGRIFF
2	01	15195075	ASTA	ROD	TIGE	STANGE
3	02	15001081	SPINA A MOLLA	SPRING CLIP	GOUPILLE RAPIDE	VORSTECKER
4	02	19955053	RONDELLA	WASHER	RONDELLE	SCHEIBE
5	02	14660136	SNODO	JOINT	JOINT	GELENK
6	01	15205103	ASTA	ROD	TIGE	STANGE
7	01	15205045	LEVA	LEVER	LEVIER	HEBEL
8	01	15205044	LEVA	LEVER	LEVIER	HEBEL
9	01	15205038	LEVA	LEVER	LEVIER	HEBEL

Tab. 3 – CARTER – CASE – CARTER – GEHÄUSE



**Tab. 3 - CARTER - CASE - CARTER - GEHÄUSE**

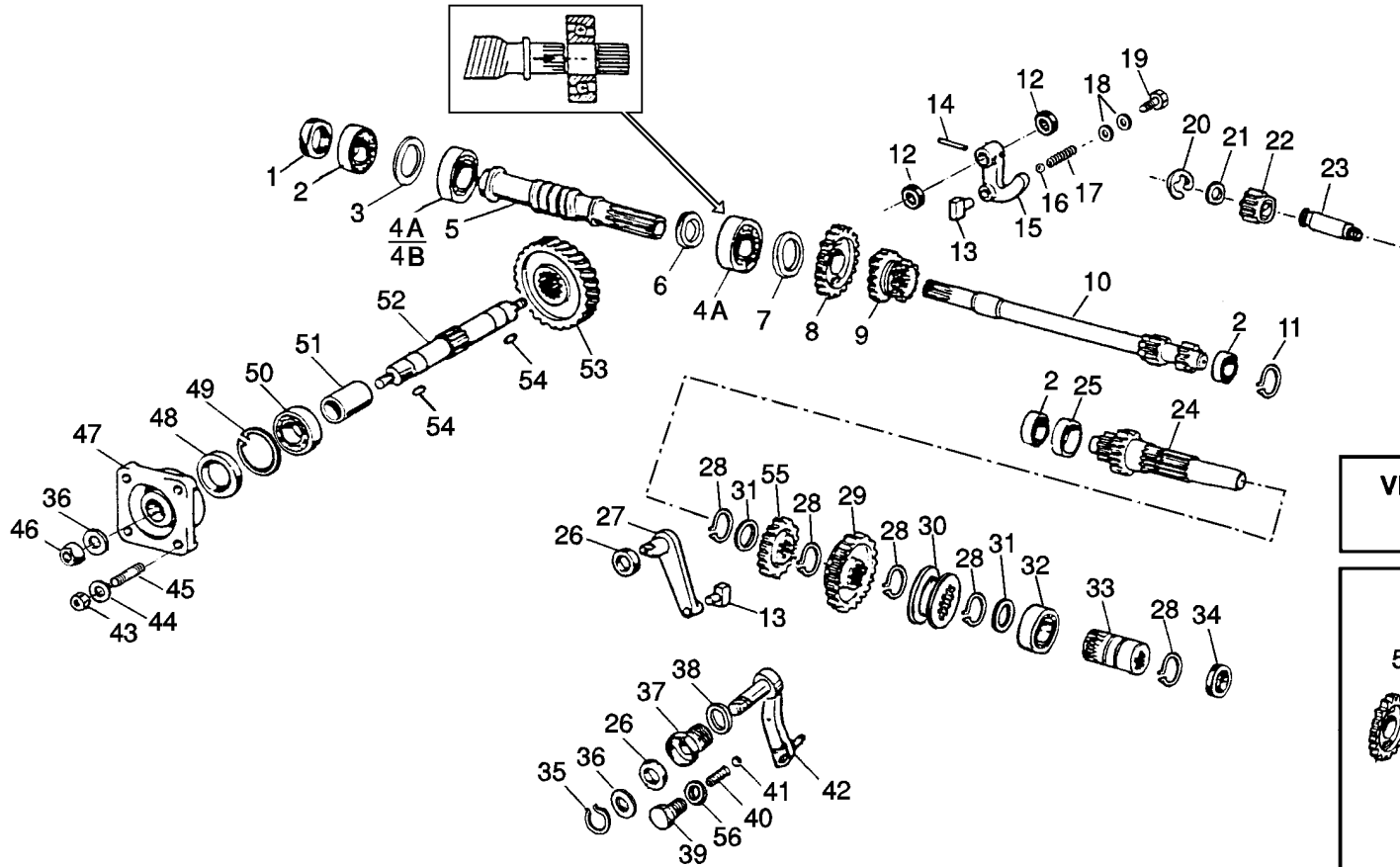
REF.	Q.	COD.	DESCRIZIONE	DESCRIPTION	DESCRIPTION	BENENNUNG
01	01	15205101	PIASTRINA	PLATE	PLAQUE	PLATTE
02	19	19955308	ROSETTA ELAST. (IM350)	SPRING WASHER. (IM350)	RONDELLE ELAST. (IM350)	FEDERSCHEIBE. (IM350)
02	25	19955308	ROSETTA ELAST. (MC71)	SPRING WASHER. (MC71)	RONDELLE ELAST. (MC71)	FEDERSCHEIBE. (MC71)
02	24	19955308	ROSETTA ELAST. (CA340)	SPRING WASHER. (CA340)	RONDELLE ELAST. (CA340)	FEDERSCHEIBE. (CA340)
03	01	19952133	VITE	SCREW	VIS	SCHRAUBE
04	01	19922296	TAPPO	PLUG	BOUCHON	STOPFEN
05	01	14660121	TAPPO	PLUG	BOUCHON	STOPFEN
06	04	19952137	VITE	SCREW	VIS	SCHRAUBE
07	01	15202004	COPERCHIO	COVER	COUVERCLE	DECKEL
08	01	15206051	GUARNIZIONE	GASKET	JOINT	DICHTUNG
09	01	14610328	MANICOTTO CON CUSCIN.	FITTING W/ BEARING	PALIER	LAGERHALTER
10	01	14610332	MOLLA	SPRING	RESSORT	FEDER
11	01	14610302	GRUPPO FRIZIONE SC90	CLUTCH, ASS.Y	EMBRAYAGE COMPLET	KUPPLUNGSGRUPPE
12	-	-	NON FORNITO	N/A	NON DISPONIBLE	NICHT VERFÜGBAR
13	-	-	NON FORNITO	N/A	NON DISPONIBLE	NICHT VERFÜGBAR
14	-	-	NON FORNITO	N/A	NON DISPONIBLE	NICHT VERFÜGBAR
15	-	-	NON FORNITO	N/A	NON DISPONIBLE	NICHT VERFÜGBAR
16	-	-	NON FORNITO	N/A	NON DISPONIBLE	NICHT VERFÜGBAR
17	-	-	NON FORNITO	N/A	NON DISPONIBLE	NICHT VERFÜGBAR
18	-	-	NON FORNITO	N/A	NON DISPONIBLE	NICHT VERFÜGBAR
19	01	14610303	DISCO FRIZIONE SC90	CLUTCH DISK	DISQUE	KUPPLUNGSCHEIBE
20	01	19952729	VITE	SCREW	VIS	SCHRAUBE
21	01	14680803	FERMAFILO	FASTENER	SERRECABLE	SEILKLEMME
22	08	19952128	VITE (IM350)	SCREW (IM350)	VIS (IM350)	SCHRAUBE (IM350)
22	14	19952128	VITE (MC71)	SCREW (MC71)	VIS (MC71)	SCHRAUBE (MC71)
22	13	19952128	VITE (CA340)	SCREW. (CA340)	VIS. (CA340)	SCHRAUBE. (CA340)
23	01	14680508	CUFFIA IN GOMMA	COWLING	PROTECTION	SCHUTZKAPPE
24a	01	15201002	CARTER GHISA	CASE, CAST IRON	CARTER FONTE	GEHÄUSE, GUSSEISEN
24b	01	15202002	CARTER ALLUMINIO	CASE, ALUMINIUM	CARTER, ALUMINIUM	GEHÄUSE, ALUMINIUM
25	06	19954254	DADO	NUT	ECROU	MUTTER
26	01	19956166	RONDELLA	WASHER	RONDELLE	SCHEIBE
27	01	19952710	VITE	SCREW	VIS	SCHRAUBE
28	01	19956110	RONDELLA	WASHER	RONDELLE	SCHEIBE
29	01	15005013	TAPPO	PLUG	BOUCHON	STOPFEN
30	01	15206050	GUARNIZIONE	GASKET	JOINT	DICHTUNG
31	02	19955915	SPINA	PIN	GOUPILLE	STIFT
32	04	15004013	PRIGIONIERO	STUD BOLT	GOUJON	STIFTSCHRAUBE
33	01	15431003	COPERCHIO	COVER	COUVERCLE	DECKEL
34	04	19952151	VITE	SCREW	VIS	SCHRAUBE
35a	02	15004031	PRIGIONIERO (Mod. France)	STUD BOLT (Mod. France)	GOUJON (Mod. France)	STIFTSCHRAUBE (Mod. France)
35b	02	15004030	PRIGIONIERO	STUD BOLT	GOUJON	STIFTSCHRAUBE
36a	02	19955054	RONDELLA (Mod. France)	WASHER (Mod. France)	RONDELLE (Mod. France)	SCHEIBE (Mod. France)
36b	02	19955013	RONDELLA	WASHER	RONDELLE	SCHEIBE
37	02	19954212	DADO	NUT	ECROU	MUTTER
38	02	19952146	VITE	SCREW	VIS	SCHRAUBE
39	01	15056007	COPERCHIO	COVER	COUVERCLE	DECKEL



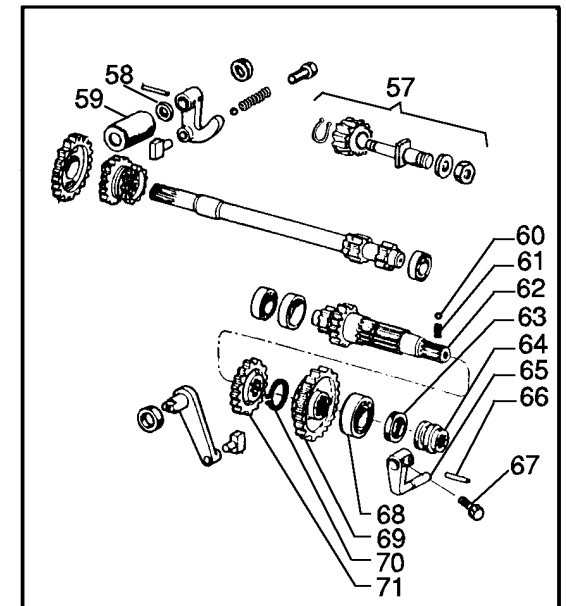
**Tab. 3 - CARTER - CASE - CARTER - GEHÄUSE**

REF.	Q.	COD.	DESCRIZIONE	DESCRIPTION	DESCRIPTION	BENENNUNG
40	01	15265016	PROLUNGA	EXTENSION	RALLONGE	VERLÄNGERUNG
41	01	14610326	PERNO SFERICO	PIVOT	PIVOT	PIVOT
42	01	15206052	GUARNIZIONE	GASKET	JOINT	DICHTUNG
43	01	15201009	MANICOTTO	FITTING	MANCHON	MUFFE
44	01	19952508	VITE	SCREW	VIS	SCHRAUBE
45	01	14610305	LEVA	LEVER	LEVIER	HEBEL
46	01	15001013	MOLLA	SPRING	RESSORT	FEDER
47	01	14610337	MANICOTTO CON CUSCIN.	FITTING W/ BEARING	PALIER	LAGERHALTER
48	01	14610336	GRUPPO FRIZIONE CN85	CLUTCH, ASS.Y	EMBAYAGE COMPLET	KUPPLUNGSGRUPPE
49	01	15082041	CAMPANA CON FERODO	PLATE, LINED	CLOCHE A FERODO	REIBUNGSGLOCKE
50	01	15083040	CAMPANA CONDOTTA	PLATE, DRIVEN	CLOCHE ENTRAINÉE	ANTRIEBSGLOCKE
51	01	15083044	ANELLO ELASTICO	LOCKRING	ARRETOIR	SICHERUNGSRING
52	01	15083043	MOLLA A TAZZA	DISK SPRING	RESSORT A DISQUE	SCHEIBENFEDER
53	01	15083049	CUSCINETTO	BEARING	ROULEMENT	LAGER
54	01	15081042	FLANGIA	FLANGE	BRIDE	FLANSCH
55	01	19955007	RONDELLA	WASHER	RONDELLE	SCHEIBE
56	01	19952714	VITE	SCREW	VIS	SCHRAUBE
57	01	19955306	RONDELLA	WASHER	RONDELLE	SCHEIBE
58	01	15201003	COPERCHIO (VECCHIO TIPO)	COVER (OLD MODEL)	COUVERCLE (VIEUX MODÈLE)	DECKEL (ALTES MODELL)

Tab. 4 - CAMBIO DI VELOCITÀ - GEARBOX - CHANGEMENT DE VITESSE - GETRIEBE



VECCHIO MODELLO - OLD MODEL  
VIEUX MODEL - ALTE MODELL



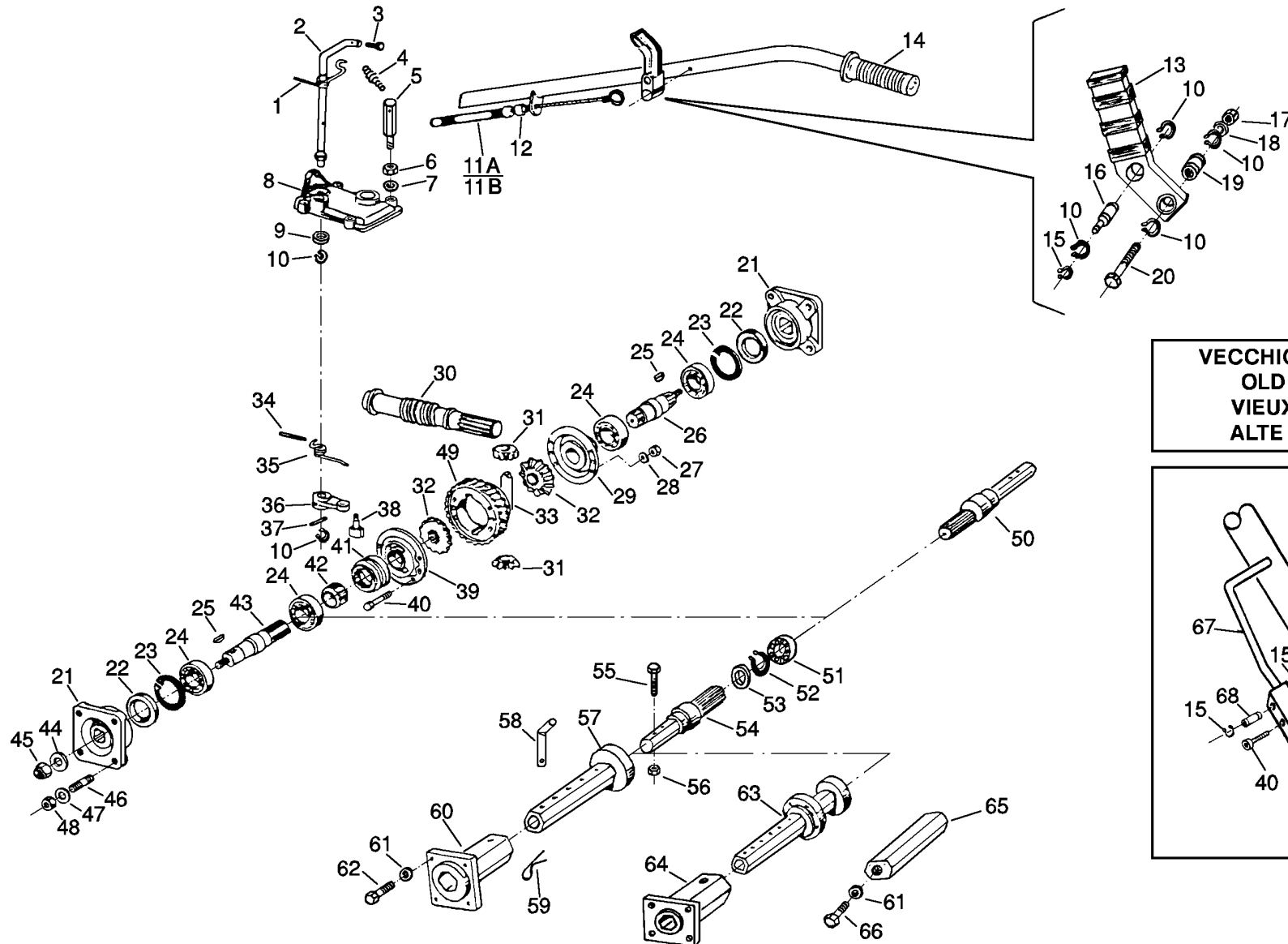
**Tab. 4 - CAMBIO DI VELOCITÀ - GEARBOX - CHANGEMENT DE VITESSE - GETRIEBE**

REF.	Q.	COD.	DESCRIZIONE	DESCRIPTION	DESCRIPTION	BENENNUNG
01	01	19922053	ANELLO DI TENUTA	SEAL RING	BAGUE D'ETANCHEITÉ	DICHTRING
02	03	19900311	CUSCINETTO	BEARING	ROULEMENT	LAGER
03	01	19956053	SPESSORE	SHIM	CALE D'EPAISSEUR	DISTANZSCHEIBE
04a	02	19901005	CUSCINETTO	BEARING	ROULEMENT	LAGER
04b	01	19900811	CUSCINET. CARTER GHISA	BEARING, CAST IRON CASE	ROULEMENT CARTER FONTE	LAGER (GUSSEISEN)
05	01	15204011	VITE SENZA FINE	WORM SCREW	VIS SANS FIN	ENDLOSSCHRAUBE
06	01	15204053	DISTANZIALE	SPACER	ENTRETOISE	DISTANZSTÜCK
07	01	19956035	SPESSORE. CARTER GHISA	SHIM, CAST IRON CASE	CALE D'EPAISSEUR	DISTANZSCHEIBE
08	01	15204013	INGRANAGGIO	GEAR	ENGRENAGE	ZAHNRAD
09	01	15204012	INGRANAGGIO SCORREV.	SLIDING GEAR	BALADEUR	SCHIEBERAD
10	01	15204010	ALBERO	SHAFT	ARBRE	WELLE
11	01	19955515	ANELLO ELASTICO	LOCKRING	ARRETOIR	SICHERUNGSRING
12	02	19922031	ANELLO DI TENUTA	SEAL RING	BAGUE D'ETANCHEITÉ	DICHTRING
13	02	15204037	PATTINO	SLIDING SHOE	PATIN	GLEITSTÜCK
14	02	19955724	SPINA ELASTICA	ROLL PIN	GOUPILLE ELASTIQUE	FEDERSTIFT
15	01	15203033	LEVA	LEVER	LEVIER	HEBEL
16	01	19900012	SFERA	BALL	BILLE	KUGEL
17	01	15207088	MOLLA	SPRING	RESSORT	FEDER
18	02	19956168	GUARNIZIONE	GASKET	JOINT	DICHTUNG
19	01	15205049	VITE	SCREW	VIS	SCHRAUBE
20	01	19954812	ANELLO ELASTICO	LOCKRING	ARRETOIR	SICHERUNGSRING
21	01	19956017	SPESSORE	SHIM	CALE D'EPAISSEUR	DISTANZSCHEIBE
22	01	15434011	INGRANAGGIO	GEAR	ENGRENAGE	ZAHNRAD
23	01	15434010	ALBERO	SHAFT	ARBRE	WELLE
24	01	15434024	ALBERO	SHAFT	ARBRE	WELLE
25	01	15204032	DISTANZIALE	SPACER	ENTRETOISE	DISTANZSTÜCK
26	02	19922066	ANELLO DI TENUTA	SEAL RING	BAGUE D'ETANCHEITÉ	DICHTRING
27	01	15203048	LEVA	LEVER	LEVIER	HEBEL
28	05	19955530	ANELLO ELASTICO	LOCKRING	ARRETOIR	SICHERUNGSRING
29	01	15434023	CORONA DENTATA	RING GEAR	COURONNE DENTEE	ZAHNKRANZ
30	01	15434015	INNESTO SCORREVOLE	DOG-CLAW	CLABOT	SCHIEBEKUPPLUNG
31	02	19956043	SPESSORE	SHIM	CALE D'EPAISSEUR	DISTANZSCHEIBE
32	01	19900231	CUSCINETTO	BEARING	ROULEMENT	LAGER
33	01	15434022	MANICOTTO	FITTING	MANCHON	MUFFE
34	01	19922221	ANELLO DI TENUTA	SEAL RING	BAGUE D'ETANCHEITÉ	DICHTRING
35	01	19955516	ANELLO ELASTICO	LOCKRING	ARRETOIR	SICHERUNGSRING
36	03	19955056	RONDELLA	WASHER	RONDELLE	SCHEIBE
37	01	15205174	BUSSOLA	BUSH	DOUILLE	BÜCHSE
38	01	19956031	SPESSORE	SHIM	CALE D'EPAISSEUR	DISTANZSCHEIBE
39	01	15205175	VITE	SCREW	VIS	SCHRAUBE
40	01	15205142	MOLLA	SPRING	RESSORT	FEDER
41	01	19900017	SFERA	BALL	BILLE	KUGEL
42	01	15205176	LEVA	LEVER	LEVIER	HEBEL
43	08	19954007	DADO	NUT	ECROU	MUTTER
44	08	19955054	RONDELLA	WASHER	RONDELLE	SCHEIBE

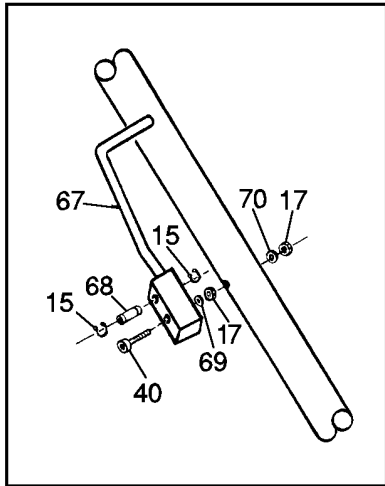
**Tab. 4 - CAMBIO DI VELOCITÀ - GEARBOX - CHANGEMENT DE VITESSE - GETRIEBE**

REF.	Q.	COD.	DESCRIZIONE	DESCRIPTION	DESCRIPTION	BENENNUNG
45	08	15004027	PRIGIONIERO	STUD BOLT	GOUJON	STIFTSCHRAUBE
46	02	19954227	DADO	NUT	ECROU	MUTTER
47	02	15201008	MOZZO	HUB	MOYEU	NABE
48	02	19921028	ANELLO DI TENUTA	SEAL RING	BAGUE D'ETANCHEITÉ	DICHTRING
49	02	19955652	ANELLO ELASTICO	LOCKRING	ARRETOIR	SICHERUNGSRING
50	02	19900326	CUSCINETTO	BEARING	ROULEMENT	LAGER
51	02	15205041	DISTANZIALE	SPACER	ENTRETOISE	DISTANZSTÜCK
52	01	15204020	ALBERO	SHAFT	ARBRE	WELLE
53	01	15204021	CORONA DENTATA	RING GEAR	COURONNE DENTEE	ZAHNKRANZ
54	02	19956317	CHIAVETTA	KEY	CLAVETTE	KEIL
55	01	15434025	CORONA DENTATA	RING GEAR	COURONNE DENTEE	ZAHNKRANZ
56	01	19956110	GUARNIZIONE	GASKET	JOINT	DICHTUNG
57	01	15205034	INVERTITORE (fino matr.99110)	INVERT. GROUP (to p/n 99110)	GROUPE INV. (jusq'a m.99110)	UMKEHRUNGSGRUPPE (99110)
58	01	19956005	SPESSORE	SHIM	CALE D'EPAISSEUR	DISTANZSCHEIBE
59	01	15205073	DISTANZIALE	SPACER	ENTRETOISE	DISTANZSTÜCK
60	01	19900012	SFERA	BALL	BILLE	KUGEL
61	01	15207057	MOLLA	SPRING	RESSORT	FEDER
62	01	15204014	ALBERO	SHAFT	ARBRE	WELLE
63	01	19922115	ANELLO DI TENUTA	SEAL RING	BAGUE D'ETANCHEITÉ	DICHTRING
64	01	15204019	MANICOTTO	FITTING	MANCHON	MUFFE
65	01	15203034	LEVA	LEVER	LEVIER	HEBEL
66	01	19955719	SPINA ELASTICA	ROLL PIN	GOUPILLE ELASTIQUE	FEDERSTIFT
67	01	19952719	VITE	SCREW	VIS	SCHRAUBE
68	01	19900321	CUSCINETTO	BEARING	ROULEMENT	LAGER
69	01	15204017	INGRANAGGIO	GEAR	ENGRENAGE	ZAHNRAD
70	01	19955525	ANELLO ELASTICO	LOCKRING	ARRETOIR	SICHERUNGSRING
71	01	15204016	INGRANAGGIO	GEAR	ENGRENAGE	ZAHNRAD

Tab. 5 - DIFFERENZIALE BLOCCABILE - DIFFERENTIAL WITH LOCK - DIFFERENTIEL - DIFFERENTIAL



VECCHIO MODELLO  
 OLD MODEL  
 VIEUX MODEL  
 ALTE MODELL



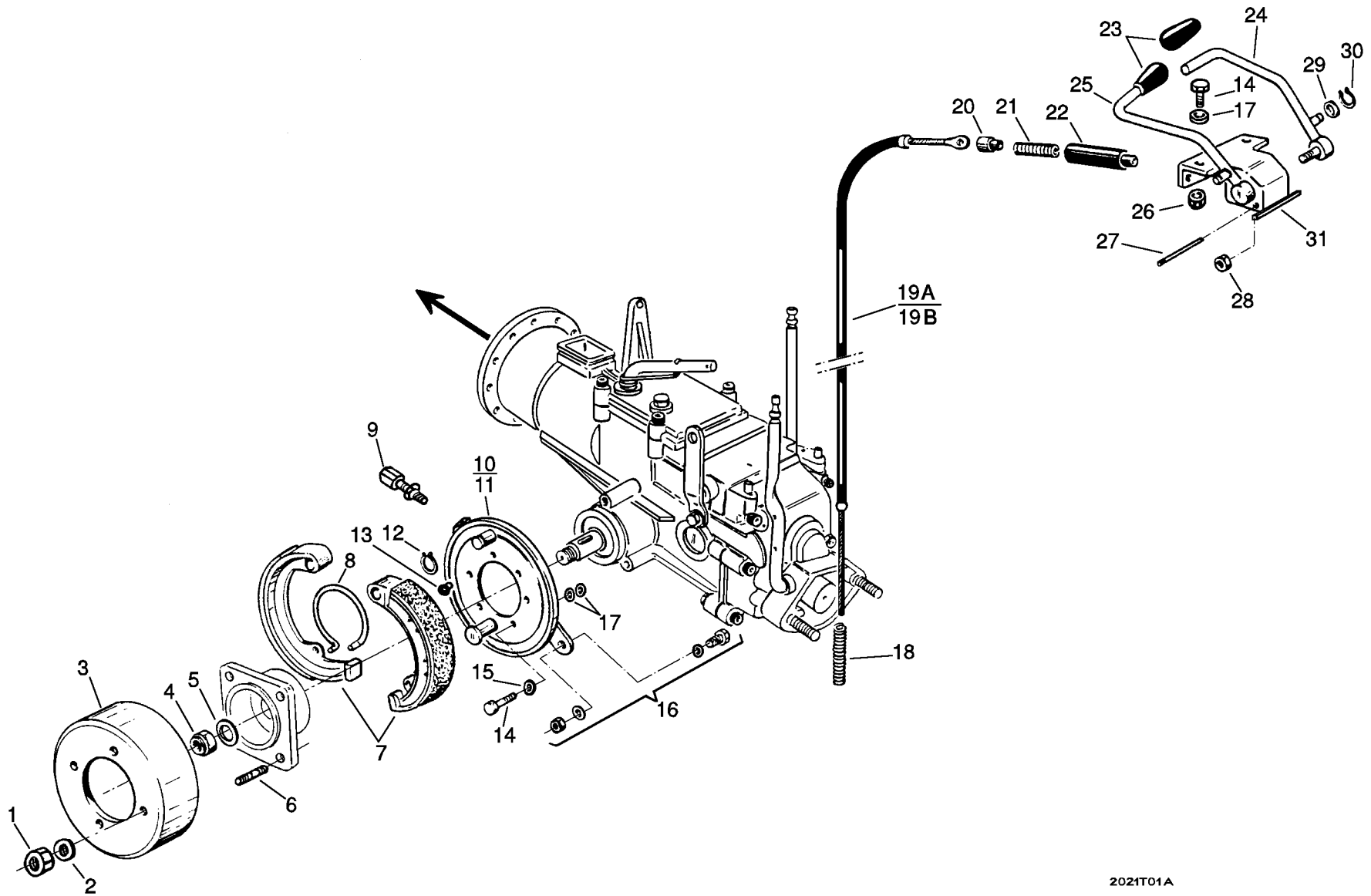
**Tab. 5 - DIFFERENZIALE BLOCCABILE - DIFFERENTIAL WITH LOCK - DIFFERENTIEL - DIFFERENTIAL**

REF.	Q.	COD.	DESCRIZIONE	DESCRIPTION	DESCRIPTION	BENENNUNG
01	01	15227056	MOLLA	SPRING	RESSORT	FEDER
02	01	15225043	LEVA	LEVER	LEVIER	HEBEL
03	01	19952709	VITE	SCREW	VIS	SCHRAUBE
04	01	15001012	MOLLA	SPRING	RESSORT	FEDER
05	01	15225063	PROLUNGA	EXYTENSION	RALLONGE	VERLÄNGERUNG
06	01	19954045	DADO	NUT	ECROU	MUTTER
07	01	19955308	ROSETTA ELASTICA	SPRING WASHER	RONDELLE ELASTIQUE	FEDERSCHEIBE
08	01	15202004	COPERCHIO	COVER	COUVERCLE	DECKEL
09	01	19922031	ANELLO DI TENUTA	SEAL RING	BAGUE D'ETANCHEITÉ	DICHTRING
10	06	19955512	ANELLO ELASTICO	LOCKRING	ARRETOIR	SICHERUNGSRING
11a	01	14660340	CAVO (MOD. FRANCE)	WIRE, ASS.Y (FRANCE)	CABLE (FRANCE)	SEILZUG KOMP. (FRANCE)
11b	01	14660375	CAVO	WIRE, ASS.Y	CABLE COMPLET	SEILZUG KOMPLETT
12	01	14660257	VITE REGISTRO	SCREW, ADJUSTEMENT	VIS DE REGLAGE	STELLSCHRAUBE
13	01	14680504	LEVA	LEVER	LEVIER	HEBEL
14	01	14680368	MANOPOLA MOTORSTOP	MOTORSTOP GRIP	POIGNEE MOTORSTOP	MOTORSTOPGRIFF
15	01	19955508	ANELLO ELASTICO	LOCKRING	ARRETOIR	SICHERUNGSRING
16	01	15405112	PERNO	PIN	AXE	BOLZEN
17	01	19954253	DADO	NUT	ECROU	MUTTER
18	01	19955051	RONDELLA	WASHER	RONDELLE	SCHEIBE
19	01	15405111	BARILOTTO	BUSHING	BARILLET	ZYLINDER
20	01	19952360	VITE	SCREW	VIS	SCHRAUBE
21	02	15201008	MOZZO	HUB	MOYEU	NABE
22	02	19921028	ANELLO DI TENUTA	SEAL RING	BAGUE D'ETANCHEITÉ	DICHTRING
23	02	19955652	ANELLO ELASTICO	LOCKRING	ARRETOIR	SICHERUNGSRING
24	02	19900326	CUSCINETTO (MOD.FRANCE)	BEARING (MOD.FRANCE)	ROULEMENT (MOD.FRANCE)	LAGER (MOD.FRANCE)
24	04	19900326	CUSCINETTO	BEARING	ROULEMENT	LAGER
25	02	19956320	LINGUETTA	SPLINE	CLAVETTE	KEIL
26	01	15224026	SEMIASSE DX	HALF-SHAFT (R. H.)	DEMI-ESSIU D.	ACHSWELLEN RECHTS
27	06	19953603	DADO	NUT	ECROU	MUTTER
28	06	19955306	ROSETTA ELASTICA	SPRING WASHER	RONDELLE ELASTIQUE	FEDERSCHEIBE
29	01	15224025	COPERCHIO	COVER	COUVERCLE	DECKEL
30	01	15204011	VITE SENZA FINE	WORM SCREW	VIS SANS FIN	ENDLOSSCHRAUBE
31	02	15224031	INGRANAGGIO SATELLITE	GEAR	ENGRENAGE	ZAHNRAD
32	02	15224023	INGRANAGGIO PLANETARIO	GEAR	ENGRENAGE	ZAHNRAD
33	01	15224030	PERNO	PIN	AXE	BOLZEN
34	01	19955723	SPINA	PIN	GOUPILLE	STIFT
35	01	15227055	MOLLA	SPRING	RESSORT	FEDER
36	01	15223035	LEVA	LEVER	LEVIER	HEBEL
37	01	19955719	SPINA	PIN	GOUPILLE	STIFT
38	01	15224036	PATTINO	SLIDING SHOE	PATIN	GLEITSTÜCK
39	01	15224024	COPERCHIO	COVER	COUVERCLE	DECKEL
40	06	19952245	VITE	SCREW	VIS	SCHRAUBE
41	01	15224029	INNESTO SCORREVOLE	DOG-CLAW	CLABOT	KLAUE
42	01	15224028	MANICOTTO	FITTING	MANCHON	MUFFE
43	01	15224027	SEMIASSE SX	HALF-SHAFT, (L. H.)	DEMI-ESSIU G.	ACHSWELLEN LENKS
44	02	19955056	RONDELLA	WASHER	RONDELLE	SCHEIBE
45	02	19954227	DADO	NUT	ECROU	MUTTER

**Tab. 5 - DIFFERENZIALE BLOCCABILE - DIFFERENTIAL WITH LOCK - DIFFERENTIEL - DIFFERENTIAL**

REF.	Q.	COD.	DESCRIZIONE	DESCRIPTION	DESCRIPTION	BENENNUNG
46	08	15004027	PRIGIONIERO	STUD BOLT	GOUJON	STIFTSCHRAUBE
47	08	19955054	RONDELLA	WASHER	RONDELLE	SCHEIBE
48	08	19954007	DADO	NUT	ECROU	MUTTER
49	01	15224022	CORONA DENTATA	RING GEAR	COURONNE DENTEE	ZAHNKRANZ
50	01	15224076	SEMIASSE DX	HALF-SHAFT, RIGHT	DEMI-ESSIU D.	ACHSWELLEN R.
51	02	19900231	CUSCINETTO	BEARING	ROULEMENT	LAGER
52	02	19955655	ANELLO ELASTICO	LOCKRING	ARRETOIR	SICHERUNGSRING
53	02	19922223	ANELLO DI TENUTA	SEAL RING	BAGUE D'ETANCHEITE	DICHTRING
54	01	15224077	SEMIASSE SX	HALF-SHAFT, LEFT	DEMI-ESSIU G.	ACHSWELLEN L.
55	04	19952146	VITE	SCREW	VIS	SCHRAUBE
56	04	19954254	DADO	NUT	ECROU	MUTTER
57	02	15205099	SUPPORTO REGOLABILE	SUPPORT, ADJUSTABLE	SUPPORT REGLABLE	HALTERUNG
58	02	15225065	SPINA	PIN	GOUPILLE	STIFT
59	02	15001082	SPINA A MOLLA	SPRING CLIP	GOUPILLE RAPIDE	VORSTECKER
60	02	15195117	MOZZO	HUB	MOYEU	NABE
61	16	19955275	ROSETTA ELASTICA	SPRING WASHER	RONDELLE ELASTIQUE	FEDERSCHEIBE
62	08	19952723	VITE	SCREW	VIS	SCHRAUBE
63	02	15205100	SUPPORTO PER FRENO	SUPPORT FOR BRAKE	SUPPORT POUR FREIN	HALTERUNG FÜR BREMSE
64	02	15225066	MOZZO	HUB	MOYEU	NABE
65	08	15205145	SUPPORTO RUOTA	WHEEL SUPPORT	SUPPORT ROUE	RADHALTERUNG
66	08	19952731	VITE	SCREW	VIS	SCHRAUBE
67	01	15225061	LEVA (VECCHIO MOD.)	LEVER (OLD MODEL)	LEVIER (VIEUX MODEL)	HEBEL (ALTE MODELL)
68	01	15205033	BUSSOLA	BUSH	DUILLE	BÜCHSE
69	01	19955406	ANELLO ELASTICO	LOCKRING	ARRETOIR	SICHERUNGSRING
70	01	19955007	RONDELLA	WASHER	RONDELLE	SCHEIBE

Tab. 6 – FRENI - BRAKES - FREINS - BREMSEN



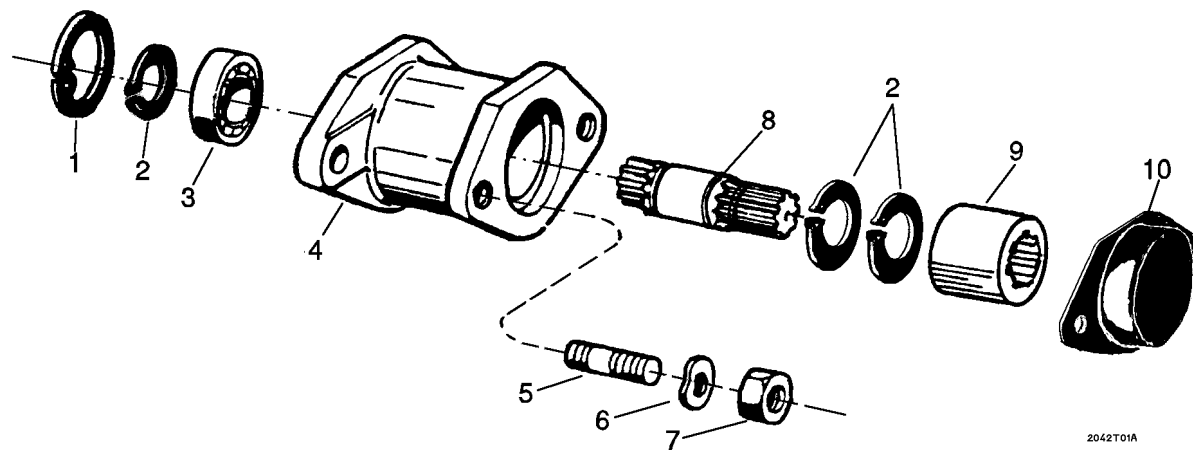
2021T01A



**Tab. 6 – FRENI - BRAKES - FREINS - BREMSEN**

REF.	Q.	COD.	DESCRIZIONE	DESCRIPTION	DESCRIPTION	BENENNUNG
01	08	19954007	DADO	NUT	ECROU	MUTTER
02	08	19955054	RONDELLA	WASHER	RONDELLE	SCHEIBE
03	02	14610703	TAMBURO	DRUM	TAMBOUR	BREMSTROMMEL
04	02	19954227	DADO	NUT	ECROU	MUTTER
05	02	19955056	RONDELLA	WASHER	RONDELLE	SCHEIBE
06	08	15004028	PRIGIONIERO	STUD BOLT	GOUJON	STIFTSCHRAUBE
07	02	14610706	CEPPI FRENANTI (COPPIA)	BRAKE SHOES (COUPLE)	MACHOIRES (COUPLE)	BREMSBACKEN (PAAR)
08	02	14610707	MOLLA	SPRING	RESSORT	FEDER
09	02	14660257	VITE REGISTRO	SCREW, ADJUSTMENT	VIS DE REGLAGE	STELLSCHRAUBE
10	01	14610705	COPERCHIO SX	COVER, (L.H.)	COUVERCLE G.	DECKEL L.
11	01	14610704	COPERCHIO DX	COVER, (R.H.)	COUVERCLE D.	DECKEL R.
12	02	19955512	ANELLO ELASTICO	LOCKRING	ARRETOIR	SICHERUNGSRING
13	04	19922309	TAPPO	PLUG	BOUCHON	STOPFEN
14	08	19952721	VITE	SCREW	VIS	SCHRAUBE
15	06	19955273	ROSETTA ELASTICA	SPRING WASHER	RONDELLE ELASTIQUE	FEDERSCHEIBE
16	02	14660246	MORSETTO	CLAMP	SERRE-CABLE	SEILKLEMME
17	14	19955052	RONDELLA	WASHER	RONDELLE	SCHEIBE
18	02	15001023	MOLLA	SPRING	RESSORT	FEDER
19a	02	14660376	TRASMISSIONE	WIRE, ASS.Y	CABLE COMPLET	SEIL KOMPLETT
19b	02	14660344	TRASMISSIONE (Mod. France)	WIRE, ASS.Y (Mod. France)	CABLE COMPLET (Mod. France)	SEIL KOMPLETT (Mod. France)
20	02	14660232	BARILOTTO	BUSHING	BARILLET	ZWINGE
21	02	15001044	MOLLA	SPRING	RESSORT	FEDER
22	02	15215253	BUSSOLA	BUSH	DOUILLE	BÜCHSE
23	02	14660181	POMELLO	KNOB	BOUTON	KNEBELGRIFF
24	01	15205059	LEVA DX	LEVER (R.H)	LEVIER D.	HEBEL R.
25	01	15205058	LEVA SX	LEVER (L.H)	LEVIER G.	HEBEL L.
26	02	19954254	DADO	NUT	ECROU	MUTTER
27	01	19955870	SPINA ELASTICA (SOLO PER SUPPORTO VECCHIO)	ROLL PIN (ONLY FOR OLD MODEL SUPPORT)	GOUPILLE ELAST. (POUR LE SUPPORT VIEUX MODELE)	FEDERSTIFT (NUR FÜR ALTE MODELL HALTERUNG)
28	02	19954256	DADO	NUT	ECROU	MUTTER
29	02	19955053	RONDELLA	WASHER	RONDELLE	SCHEIBE
30	02	19955510	ANELLO ELASTICO	LOCKRING	ARRETOIR	SICHERUNGSRING
31	01	15205060	SUPPORTO	SUPPORT	SUPPORT	HALTERUNG

Tab. 7 – PROLUNGA FRESA - EXTENDER FOR TILLER - RALLONGE POUR FRAISE - VERLÄNGERUNG

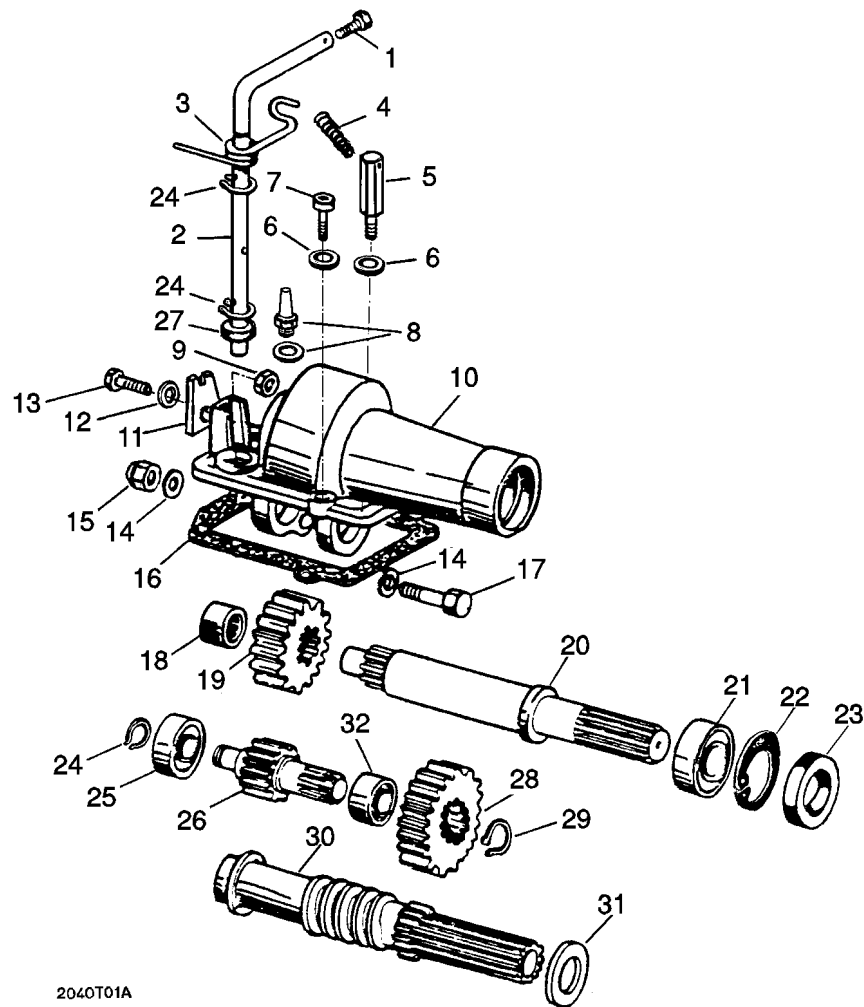


2042T01A

**Tab. 7 – PROLUNGA FRESA - EXTENDER FOR TILLER - RALLONGE POUR FRAISE - VERLÄNGERUNG**

REF.	Q.	COD.	DESCRIZIONE	DESCRIPTION	DESCRIPTION	BENENNUNG
01	01	19955647	ANELLO ELASTICO	LOCKRING	ARRETOIR	SICHERUNGSRING
02	03	19955520	ANELLO ELASTICO	LOCKRING	ARRETOIR	SICHERUNGSRING
03	01	19900322	CUSCINETTO	BEARING	ROULEMENT	LAGER
04	01	15201079	MANICOTTO	FITTING	MANCHON	MUFFE
05	02	15004030	PRIGIONIERO	STUD BOLT	GOUJON	STIFTSCHRAUBE
06	02	19955013	RONDELLA	PLAIN WASHER	RONDELLE	SCHEIBE
07	02	19954212	DADO	NUT	ECROU	MUTTER
08	01	15204078	ALBERO	SHAFT	ARBRE	WELLE
09	01	15174028	MANICOTTO	FITTING	MANCHON	MUFFE
10	01	15056007	COPERCHIO	COVER	COUVERCLE	DECKEL

Tab. 8 – PRESA DI FORZA - POWER TAKE OFF - PRISE DE FORCE - ZAPFWELLE

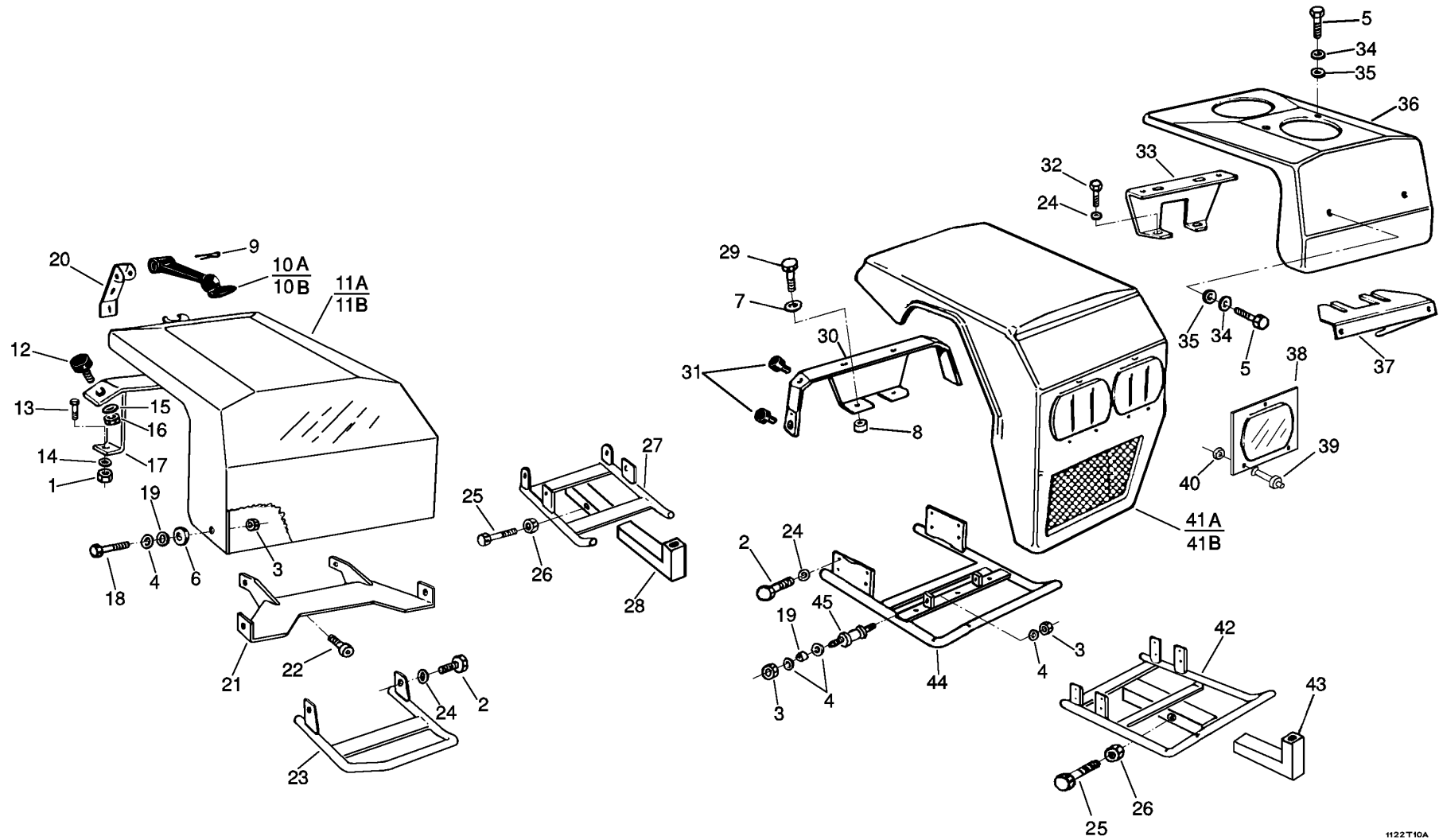


2040T01A

**Tab. 8 – PRESA DI FORZA - POWER TAKE OFF - PRISE DE FORCE - ZAPFWELLE**

REF.	Q.	COD.	DESCRIZIONE	DESCRIPTION	DESCRIPTION	BENENNUNG
01	01	19952709	VITE	SCREW	VIS	SCHRAUBE
02	01	15225101	LEVA	LEVER	LEVIER	HEBEL
03	01	15227056	MOLLA	SPRING	RESSORT	FEDER
04	01	15001012	MOLLA	SPRING	RESSORT	FEDER
05	01	15205035	PROLUNGA	EXTENDER	RALLONGE	VERLÄNGERUNG
06	04	19955308	ROSETTA ELASTICA	SPRING WASHER	RONDELLE ELASTIQUE	FEDERSCHEIBE
07	03	19952137	VITE	SCREW	VIS	SCHRAUBE
08	01	14660121	TAPPO	PLUG	BOUCHON	STOPFEN
09	01	19954253	DADO	NUT	ECROU	MUTTER
10	01	15201083	CARTER	CASE	CARTER	GEHÄUSE
11	01	15205036	PIASTRINA	PLATE	PLAQUE	PLATTE
12	01	19955008	RONDELLA	WASHER	RONDELLE	SCHEIBE
13	01	19952728	VITE	SCREW	VIS	SCHRAUBE
14	02	19955009	RONDELLA	WASHER	RONDELLE	SCHEIBE
15	01	19954254	DADO	NUT	ECROU	MUTTER
16	01	15206051	GUARNIZIONE	GASKET	JOINT	DICHTUNG
17	01	19952225	VITE	SCREW	VIS	SCHRAUBE
18	01	19910316	CUSCINETTO	BEARING	ROULEMENT	LAGER
19	01	15204087	INGRANAGGIO	GEAR	PIGNON	ZAHNRAD
20	01	15204084	ALBERO	SHAFT	ARBRE	WELLE
21	01	19900222	CUSCINETTO	BEARING	ROULEMENT	LAGER
22	01	19955642	ANELLO ELASTICO	LOCKRING	ARRETOIR	SICHERUNGSRING
23	01	19922121	ANELLO DI TENUTA	SEAL	BAGUE D'ETANCHEITÉ	DICHTRING
24	01	19955512	ANELLO ELASTICO	LOCKRING	ARRETOIR	SICHERUNGSRING
25	01	19900507	CUSCINETTO	BEARING	ROULEMENT	LAGER
26	01	15204086	ALBERO	SHAFT	ARBRE	WELLE
27	01	19922031	ANELLO DI TENUTA	SEAL RING	BAGUE D'ETANCHEITÉ	DICHTRING
28	01	15204085	INGRANAGGIO	GEAR	PIGNON	ZAHNRAD
29	01	19955520	ANELLO ELASTICO	LOCKRING	ARRETOIR	SICHERUNGSRING
30	01	15204011	VITE SENZA FINE	WORM SCREW	VIS SANS FIN	ENDLOSSCHRAUBE
31	01	15204053	DISTANZIALE	SPACER	ENTRETOISE	DISTANZSTÜCK
32	01	19910320	CUSCINETTO	BEARING	ROULEMENT	LAGER

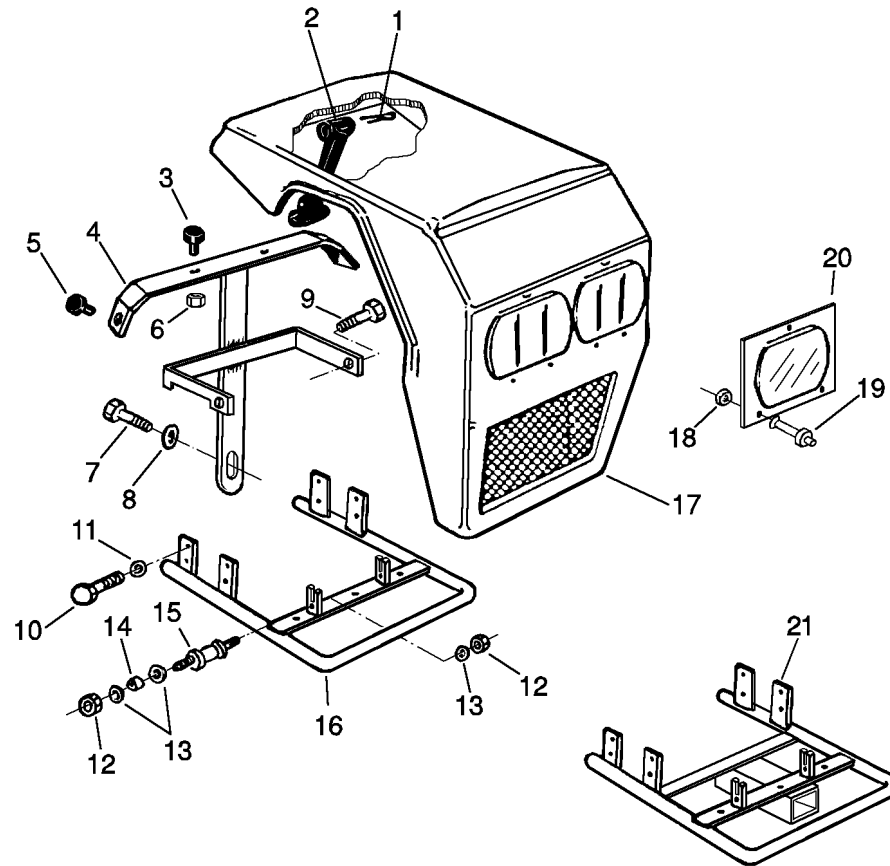
Tab. 9 – COFANI - FAIRINGS - CARENAGES - KAROSSERIEN



**Tab. 9 – COFANI - FAIRINGS - CARENAGES - KAROSSERIEN**

REF.	Q.	COD.	DESCRIZIONE	DESCRIPTION	DESCRIPTION	BENENNUNG
01	02	19954253	DADO	NUT	ECROU	MUTTER
02	10	19952721	VITE	SCREW	VIS	SCHRAUBE
03	02	19954254	DADO	NUT	ECROU	MUTTER
04	08	19955009	RONDELLA	WASHER	RONDELLE	SCHEIBE
05	04	19952720	VITE	SCREW	VIS	SCHRAUBE
06	02	14680101	GOMMINO	RUBBER RING	CAOUTCHOUC	GUMMIRING
07	02	19955052	RONDELLA	WASHER	RONDELLE	SCHEIBE
08	02	15055093	RONDELLA	WASHER	RONDELLE	SCHEIBE
09	01	19957120	COPIGLIA	COTTER PIN	GOUPILLE FENDUE	SPLINT
10a	01	14681705	TIRANTE L=120 mm	STAY-ROD L=120 mm	TIRANT L=120 mm	SPANNBOLZEN L=120 mm
10b	01	14681706	TIRANTE L=160 mm	STAY-ROD L=160 mm	TIRANT L=160 mm	SPANNBOLZEN L=160 mm
11a	01	15205113	COFANO IM 350	BONNET IM 350	COFFRE IM350	MOTORHAUBE
11b	01	15205112	COFANO IM 350 CON FARI	BONNET IM 350 W/LIGHT	COFFRE IM350 AVEC ECLAIRE	MOTORHAUBE (LICHT)
12	02	14680601	GOMMINO PARACOLPI	BUFFER	BOUTOIR	PUFFER
13	02	19952113	VITE	SCREW	VIS	SCHRAUBE
14	02	19955051	RONDELLA	WASHER	RONDELLE	SCHEIBE
15	02	19955272	ROSETTA ELASTICA	SPRING WASHER	RONDELLE ELASTIQUE	FEDERSCHEIBE
16	02	19954003	DADO	NUT	ECROU	MUTTER
17	01	15205091	SUPPORTO	SUPPORT	SUPPORT	HALTERUNG
18	02	19952729	VITE	SCREW	VIS	SCHRAUBE
19	04	15205043	DISTANZIALE	SPACER	ENTRETOISE	DISTANZSTÜCK
20	01	15008017	ATTACCO TIRANTE	CLASP	GRIFFE	HAKEN
21	01	15205090	SUPPORTO	SUPPORT	SUPPORT	HALTERUNG
22	02	19952127	VITE	SCREW	VIS	SCHRAUBE
23	01	15175144	PARAURTI	BUMPER	PARE-CHOCS	STOSSTANGE
24	14	19955273	ROSETTA ELASTICA	SPRING WASHER	RONDELLE ELASTIQUE	FEDERSCHEIBE
25	01	19952731	VITE	SCREW	VIS	SCHRAUBE
26	01	19954047	DADO	NUT	ECROU	MUTTER
27	01	15007024	PARAURTI	BUMPER	PARE-CHOCS	STOSSTANGE
28	01	15007018	ATTACCO ZAVORRA	BALLAST CLASP	ATTELAGE LEST	BALLAST HAKEN
29	02	19952737	VITE (avv. el.)	SCREW (el. starting)	VIS (all. elec.)	SCHEIBE (el. anlasser)
30	01	15008015	SUPPORTO	SUPPORT	SUPPORT	HALTERUNG
31	04	14680602	GOMMINO PARACOLPI	BUFFER	BOUTOIR	PUFFER
32	02	19952123	VITE	SCREW	VIS	SCHRAUBE
33	01	15008026	SUPPORTO	SUPPORT	SUPPORT	HALTERUNG
34	04	19955008	RONDELLA	WASHER	RONDELLE	SCHEIBE
35	04	19956177	RONDELLA	WASHER	RONDELLE	SCHEIBE
36	01	15009014	COFANO	BONNET	COFFRE	MOTORHAUBE
37	01	15008025	SUPPORTO	SUPPORT	SUPPORT	HALTERUNG
38	02	15007205	COPRIFARO	COVER	COUVERCLE	DECKEL
39	06	19957210	RIVETTO	RIVET	RIVET	NIET
40	06	19955050	RONDELLA	WASHER	RONDELLE	SCHEIBE
41a	01	15009009	COFANO (avv. el.)	BONNET (el. starting)	COFFRE (all. elec.)	MOTORHAUBE (el. anlas.)
41b	01	15009008	COFANO	BONNET	COFFRE	MOTORHAUBE
42	01	15007017	PARAURTI	BUMPER	PARE-CHOCS	STOSSTANGE
43	01	15007028	ATTACCO ZAVORRA	BALLAST CLASP	ATTELAGE LEST	BALLAST HAKEN
44	01	15007004	PARAURTI	BUMPER	PARE-CHOCS	STOSSTANGE
45	02	14680409	SILENTBLOCK	SILENTBLOCK	SILENTBLOCK	SILENTBLOCK

Tab. 9a – COFANO (INTERMOTOR) - MOTOR HOOD - COFFRE - MOTORHAUBE



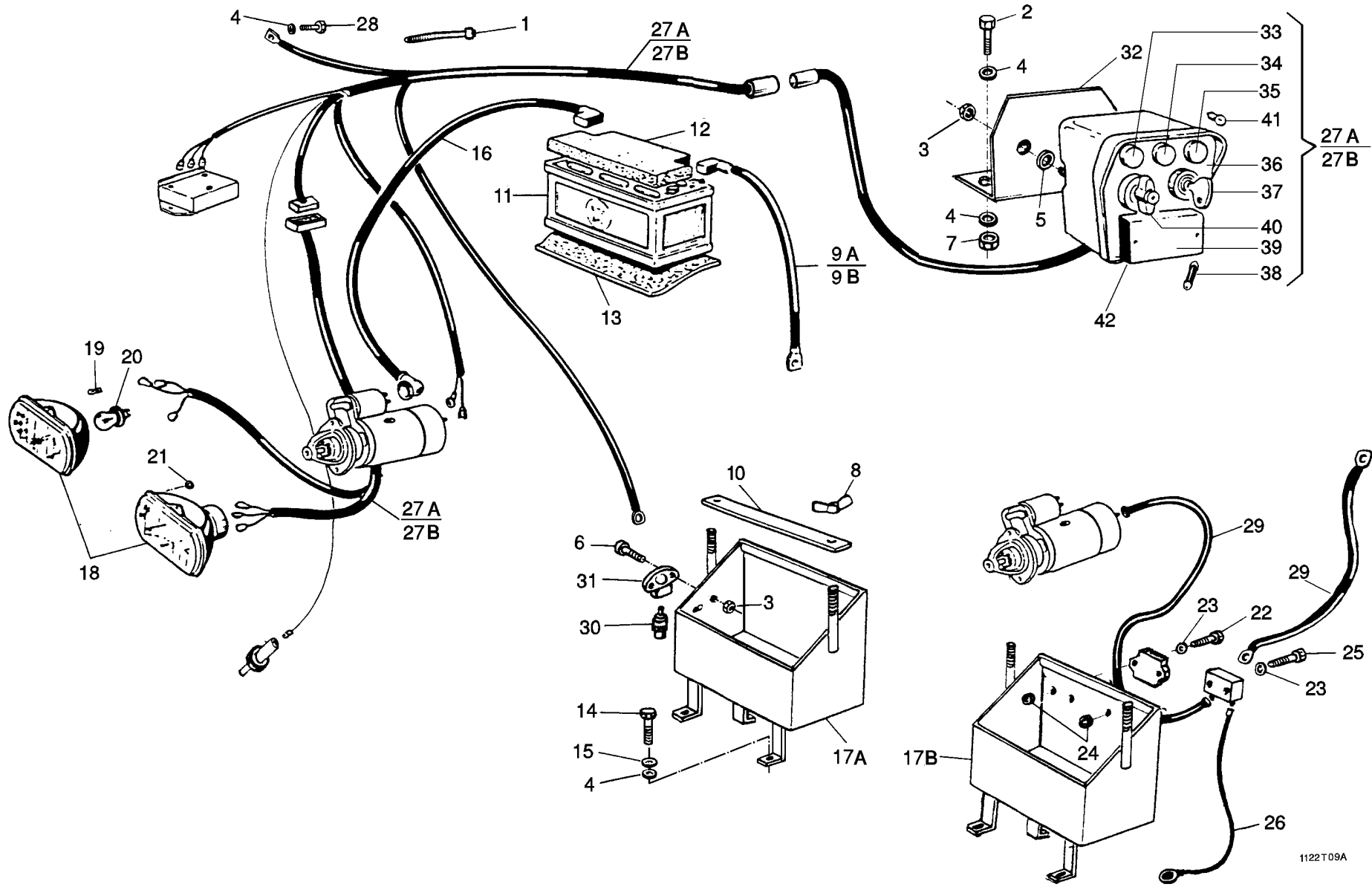
1122T10B



**Tab. 9a – COFANO (INTERMOTOR) - MOTOR HOOD - COFFRE - MOTORHAUBE**

REF.	Q.	COD.	DESCRIZIONE	DESCRIPTION	DESCRIPTION	BENENNUNG
01	01	19957120	COPIGLIA	COTTER PIN	GOUPILLE FENDUE	SPLINT
02	01	14681706	TIRANTE	STAY-ROD	TIRANT	SPANNBOLZEN
03	02	14680601	GOMMINO PARACOLPI	BUFFER	BOUTOIR	PUFFER
04	01	15008008	SUPPORTO COFANO	SUPPORT	SUPPORT	HALTERUNG
05	02	14680602	GOMMINO PARACOLPI	BUFFER	BOUTOIR	PUFFER
06	02	19954003	DADO	NUT	ECROU	MUTTER
07	01	19952133	VITE	SCREW	VIS	SCHRAUBE
08	01	19955308	RONDELLA	WASHER	RONDELLE	SCHEIBE
09	02	19952720	VITE	SCREW	VIS	SCHRAUBE
10	04	19952721	VITE	SCREW	VIS	SCHRAUBE
11	04	19955273	ROSETTA ELASTICA	SPRING WASHER	RONDELLE ELASTIQUE	FEDERSCHEIBE
12	04	19954254	DADO	NUT	ECROU	MUTTER
13	06	19955009	RONDELLA	WASHER	RONDELLE	SCHEIBE
14	02	15205043	DISTANZIALE	SPACER	ENTRETOISE	DISTANZSTÜCK
15	02	14680409	SILENTBLOCK	SILENTBLOCK	SILENTBLOCK	SILENTBLOCK
16	01	15007014	PARAURTI IM 350	BUMPER IM 350	PARE-CHOCS IM 350	STOSSTANGE IM 350
17	01	15009019	COFANO IM 350	MOTOR HOOD IM 350	COFFRE IM350	MOTORHAUBE IM 350
18	06	19955050	RONDELLA	WASHER	RONDELLE	SCHEIBE
19	06	19957210	RIVETTO	RIVET	RIVET	NIET
20	02	15007205	COPRIFARO	COVER	COUVERCLE	DECKEL
21	01	15007044	PARAURTI PER ZAVORRA	BUMPER FOR BALLAST	PARE-CHOCS POUR LEST	STOSSTANGE FÜR BALLAST

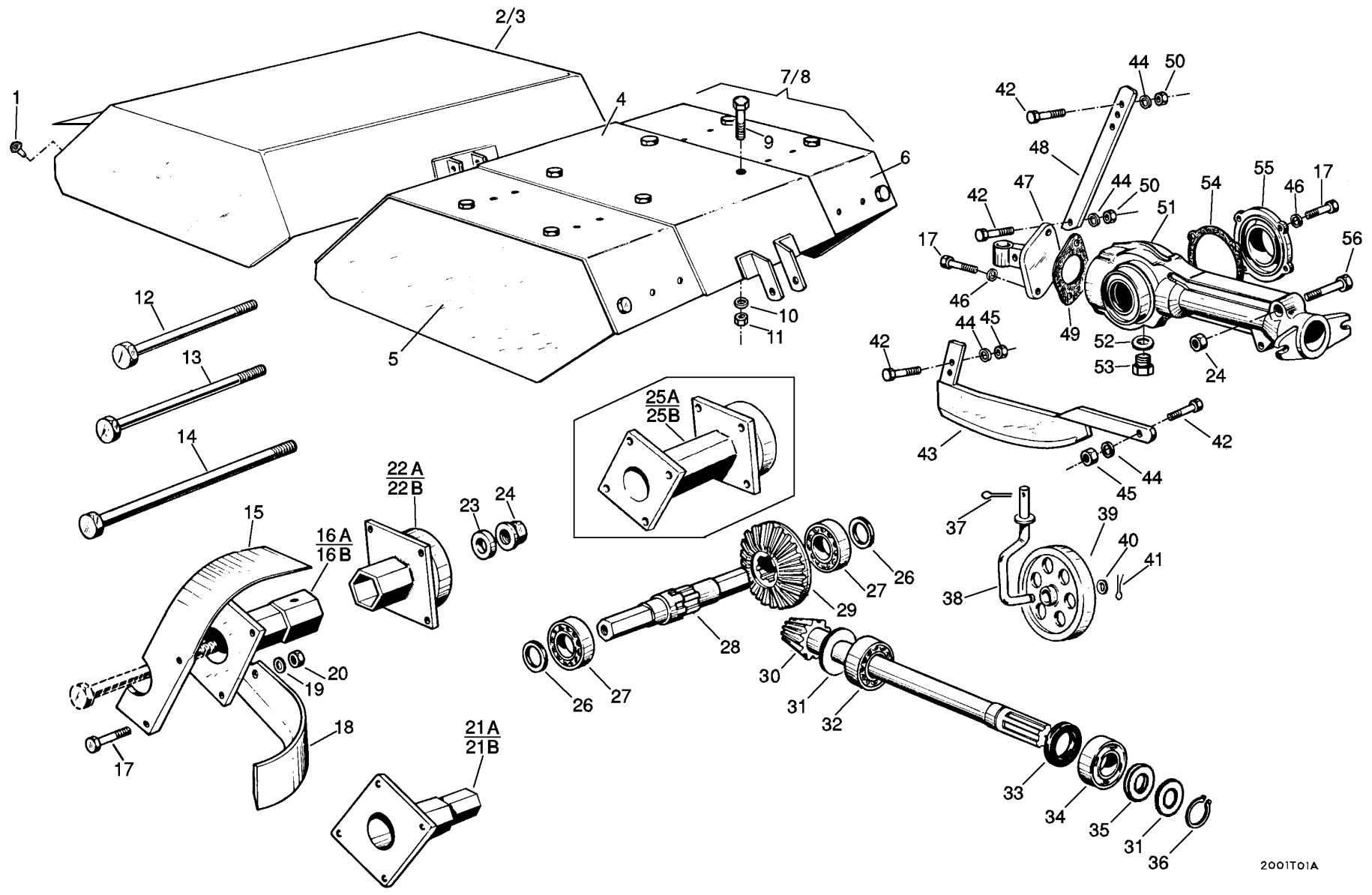
Tab. 10 - IMPIANTO ELETTRICO - ELECTRICAL SYSTEM - INSTALLATION ELECTRIQUE - ELEKTRISCHE ANLAGE



**Tab. 10 - IMPIANTO ELETTRICO - ELECTRICAL SYSTEM - INSTALLATION ELECTRIQUE - ELEKTRISCHE ANLAGE**

REF.	Q.	COD.	DESCRIZIONE	DESCRIPTION	DESCRIPTION	BENENNUNG
01	05	14680801	FASCETTA	STRAP	COLLIER	HALTERBAND
02	02	19952603	VITE	SCREW	VIS	SCHRAUBE
03	04	19954205	DADO	NUT	ECROU	MUTTER
04	06	19955052	RONDELLA	WASHER	RONDELLE	SCHEIBE
05	02	14680103	GOMMINO	RUBBER RING	CAOUTCHOUC	GUMMIRING
06	02	19952314	VITE	SCREW	VIS	SCHRAUBE
07	02	19954254	DADO	NUT	ECROU	MUTTER
08	02	19954503	DADO AD ALETTE	NUT, WING	ECROU PAPILLON	FLÜGELMUTTER
09a	01	14670808	CAVO NEG. Ø10 mm (Diesel)	CABLE, NEGATIVE (Diesel)	CABLE NEGATIVE (Diesel)	NEGATIVKABEL (Diesel)
09b	01	14670815	CAVO NEG. Ø7 mm (Benzina)	CABLE, NEGATIVE (Gasoline)	CABLE NEGATIVE (Essence)	NEGATIVKABEL (Benzin)
10	01	15005026	ASTA	ROD	TIGE	STANGE
11	01	14670701	BATTERIA	BATTERY	BATTERIE	BATTERIE
12	01	15405158	COPRIBATTERIA	BATTERY COVER	CAPOT	BATTERIEHAUBE
13	01	14680502	PROTEZIONE IN GOMMA	RUBBER GUARD	PROTECTION EN CAOUTCH.	GUMMIMATTE
14	02	19952756	VITE	SCREW	VIS	SCHRAUBE
15	02	19955273	ROSETTA ELASTICA	SPRING WASHER	RONDELLE ELASTIQUE	FEDERSCHEIBE
16	01	14670807	CAVO POS. Ø10 mm (Diesel)	CABLE POSITIVE (Diesel)	CABLE POSITIVE (Diesel)	KABEL FÜR (Diesel)
17a	01	15005019	PORTABATTERIA (Diesel)	BATTERY HOLDER (Diesel)	PORTE BATTERIE (Diesel)	BATTERIESTÄNDER (Diesel)
17b	01	15005020	PORTABATTERIA (Benzina)	BATTERY HOLDER (Gasoline)	PORTE BATTERIE (Essence)	BATTERIESTÄNDER (Benzin)
18	02	14670501	FARO S / LAMPADE	HEADLAMP	PHARE	SCHEINWERFER
19	02	14670404	LAMPADA 12V 3W	BULB 12V 3W	LAMPE 12V 3W	LAMPE 12V 3W
20	02	14670401	LAMPADA 12V 45W	BULB 12V 45W	LAMPE 12V 45W	LAMPE 12V 45W
21	06	19955050	RONDELLA	PLAIN WASHER	RONDELLE	SCHEIBE
22	02	19952319	VITE (Benzina)	SCREW (Gasoline)	VIS (Essence)	SCHRAUBE (Benzin)
23	04	19955051	RONDELLA (Benzina)	PLAIN WASHER (Gasoline)	RONDELLE (Essence)	SCHEIBE (Benzin)
24	04	19954253	DADO (Benzina)	NUT (Gasoline)	ECROU (Essence)	MUTTER (Benzin)
25	02	19952315	VITE (Benzina)	SCREW (Gasoline)	VIS (Essence)	SCHRAUBE (Benzin)
26	01	14670813	CAVO RELÈ (Benzina)	CABLE, RELAY (Gasoline)	CABLE RELAIS (Essence)	RELAISKABEL (Benzin)
27a	01	14670607	CRUSCOTTO E CAVI (Diesel)	DASHBOARD W/CABLE, (Diesel)	TABLEAU ET CÂBLAGE (Diesel)	ARMATURENBRETT (Diesel)
27b	01	14670811	CRUSCOTTO E CAVI (Benzina)	DASHBOARD W/CABLE (Gasoline)	TABLEAU ET CÂBLAGE (Essence)	ARMATURENBRETT (Benzin)
28	01	19952715	VITE	SCREW	VIS	SCHRAUBE
29	02	14670814	CAVO POS. Ø 8 mm (Benzina)	CABLE POSITIVE (Gasoline)	CABLE POSITIVE (Essence)	KABEL (Benzin)
30	01	14670621	SPINA	PLUG	FICHE	STÖPSEL
31	01	14670620	PRESA LUCI RIMORCHIO	OUTLET	PRISE	STECKDOSE
32	01	15008016	SQUADRETTA	BRACKET	EQUERRE	WINKEL
33	01	14670407	SPIA (batteria)	GLASS (battery)	TEMOIN (batterie)	ANZEIGER (batterie)
34	01	14670408	SPIA (luci)	GLASS (light)	TEMOIN (feux)	ANZEIGER (licht)
35	01	14670409	SPIA (olio)	GLASS (oil)	TEMOIN (huile)	ANZEIGER (öl)
36	01	14670613	SCATOLA	CASE	BOITE	GEHÄUSE
37	01	14670610	QUADRETTO AVVIAMENTO	IGNITION KEY	CLÉ DE CONTACT	ZÜNDSCHLÜSSEL
38	01	14670406	FUSIBILE	FUSE	FUSIBLE	SICHERUNS
39	01	14670604	COPERCHIO	COVER	COUVERCLE	DECKEL
40	01	14670603	COMMUTATORE LUCI	SWITCH, LIGHT	COMMUTATEUR DES FEUX	LICHTSCHALTER
41	03	14670405	LAMPADA	BULB	LAMPE	LAMPE
42	01	14670609	SCATOLA PORTAFUSIBILI	FUSE HOLDER	BOITE A FUSIBLES	SICHERUNGSDOSE

Tab. 11 - GRUPPO FRESA - TILLER - FRAISE - FRÄSE



**Tab. 11 – GRUPPO FRESA - TILLER - FRAISE - FRÄSE**

REF.	Q.	COD.	DESCRIZIONE	DESCRIPTION	DESCRIPTION	BENENNUNG
01	02	14680600	PARACOLPI GOMMA	BUFFER	BOUTOIR	PUFFER
02	01	15305035	COFANO 50 cm	COWL 50 cm	COFFRE 50 cm	HAUBE 50 cm
03	01	15305036	COFANO 60 cm	COWL 60 cm	COFFRE 60 cm	HAUBE 60 cm
04	01	15205080	COFANO PARTE CENTRALE	COVER, TOP	COFFRE MOYEN	MITTELHAUBE
05	01	15205078	PANNELLO LATERALE DX	SIDE PANEL (R.H.)	PANNEAU LATERAL DROITE	SEITENTAFEL RECHTS
06	01	15205079	PANNELLO LATERALE SX	SIDE PANEL (L.H.)	PANNEAU LATERAL GAUCHE	SEITENTAFEL LINKS
07	01	15205072	COFANO REGOLABILE 70 cm	COWL, ADJUSTABLE 70 cm	COFFRE REGLABLE 70 cm	HAUBE ( 70 cm EINSTELL.)
08	01	15205071	COFANO REGOLABILE 60 cm	COWL, ADJUSTABLE 60 cm	COFFRE REGLABLE 60 cm	HAUBE ( 60 cm EINSTELL.)
09	12	19952716	VITE	SCREW	VIS	SCHRAUBE
10	12	19955274	ROSETTA ELASTICA	SPRING WASHER	RONDELLE ELASTIQUE	FEDERSCHEIBE
11	12	19954046	DADO	NUT	ECROU	MUTTER
12	01	15175126	TIRANTE (FRESA cm 27)	TIE-ROD (TILLER 27 cm)	TIRANT (FRAISE 27 cm)	SPANNBOLZEN
13	01	15175125	TIRANTE (FRESA 50-60 cm)	TIE-ROD (TILLER 50-60 cm)	TIRANT (FRAISE 50-60 cm)	SPANNBOLZEN
14	01	15195069	TIRANTE (FRESA cm 70)	TIE-ROD (TILLER 70 cm)	TIRANT (FRAISE 70 cm)	SPANNBOLZEN
15	08	15175133	LAMA SX (FRESA 50-60 cm)	BLADE L. (TILLER 50-60 cm)	LAME G. (FRAISE 50-60 cm)	MESSER LENKS
15	10	15175133	LAMA SX (FRESA cm 70)	BLADE L. (TILLER 70 cm)	LAME G. (FRAISE 70 cm)	MESSER LENKS
16a	02	15175123	SUPPORTO SENZA LAME CENT.	SUPPORT W/OUT BLADES CEN.	SUPPORT SANS LAMES CENT.	MITTEL HALTERUNG OHNE MESS
16b	02	15175124	SUPPORTO CON LAME	SUPPORT WITH BLADES	SUPPORT AVEC LAMES	HALTERUNG MIT MESSER.
17	22	19952721	VITE (FRESA 50-60 cm)	SCREW (TILLER 50-60 cm)	VIS (FRAISE 50-60 cm)	SCHRAUBE (FRÄSE 50 cm)
17	30	19952721	VITE (FRESA cm 70)	SCREW (TILLER 70 cm)	VIS (FRAISE 70 cm)	SCHRAUBE (FRÄSE 70 cm)
18	08	15175120	LAMA DX (FRESA 50-60 cm)	BLADE, R. (TILLER 50-60 cm)	LAME D. (FRAISE 50-60 cm)	MESSER R. (FRÄSE 50 cm)
18	10	15175120	LAMA DX (FRESA cm 70)	BLADE, R. (TILLER 70 cm)	LAME D. (FRAISE 70 cm)	MESSER R. (FRÄSE 70 cm)
19	16	19955273	ROSETTA ELASTICA (FRESA 50-60 cm)	SPRING WASHER (TILLER 50-60 cm)	RONDELLE ELASTIQUE (FRAISE 50-60 cm)	FEDERSCHEIBE (FRÄSE 50-60 cm)
19	24	19955273	ROSETTA ELASTICA (FRESA cm 70)	SPRING WASHER (TILLER 70 cm)	RONDELLE ELASTIQUE (FRAISE 70 cm)	FEDERSCHEIBE (FRÄSE 70 cm)
20	16	19954045	DADO (FRESA 50-60 cm)	NUT (TILLER 50-60 cm)	ECROU (FRAISE 50-60 cm)	MUTTER (FRÄSE 50-60 cm)
20	24	19954045	DADO (FRESA cm 70)	NUT (TILLER 70 cm)	ECROU (FRAISE 70 cm)	MUTTER (FRÄSE 70 cm)
21a	02	15175131	SUPPORTO SENZA LAME LAT.	SUPPORT W/OUT BLADES LAT.	SUPPORT SANS LAMES LAT.	SEITEN HALTERUNG OHNE MESS
21b	02	15175132	SUPPORTO CON LAME	SUPPORT WITH BLADES	SUPPORT AVEC LAMES	HALTERUNG MIT MESS.
22a	02	15175121	SUPPORTO SENZA LAME	SUPPORT W/OUT BLADES	SUPPORT SANS LAMES	HALTERUNG OHNE MESS.
22b	02	15175122	SUPPORTO CON LAME	SUPPORT WITH BLADES	SUPPORT AVEC LAMES	HALTERUNG MIT MESS.
23	01	15175127	RONDELLA	WASHER	RONDELLE	SCHEIBE
24	02	19954256	DADO	NUT	ECROU	MUTTER
25a	02	15195080	SUPPORTO SENZA LAME	SUPPORT W/OUT BLADES	SUPPORT SANS LAMES	HALTERUNG OHNE MESS.
25b	02	15195081	SUPPORTO CON LAME	SUPPORT WITH BLADES	SUPPORT AVEC LAMES	HALTERUNG MIT MESSER.
26	02	19921038	ANELLO DI TENUTA	SEAL RING	BAGUE D'ETANCHEITÉ	DICHTRING
27	02	19900231	CUSCINETTO	BEARING	ROULEMENT	LAGER
28	01	15174035	ALBERO	SHAFT	ARBRE	WELLE
29	01	15174034	CORONA DENTATA	RING GEAR	COURONNE DENTEE	ZAHNKRANZ
30	01	15174033	PIGNONE	PINION	PIGNON	RITZEL
31	02	19956029	SPESSORE	THICKNESS	CALE D'EPAISSEUR	DISTANZSCHEIBE
32	01	19901004	CUSCINETTO	BEARING	ROULEMENT	LAGER
33	01	19922119	ANELLO DI TENUTA	SEAL RING	BAGUE D'ETANCHEITÉ	DICHTRING
34	01	19900322	CUSCINETTO	BEARING	ROULEMENT	LAGER
35	02	19956028	SPESSORE	THICKNESS	CALE D'EPAISSEUR	DISTANZSCHEIBE
36	01	19955520	ANELLO ELASTICO	LOCKRING	ARRETOIR	SICHERUNGSRING

**Tab. 11 – GRUPPO FRESA - TILLER - FRAISE - FRÄSE**

REF.	Q.	COD.	DESCRIZIONE	DESCRIPTION	DESCRIPTION	BENENNUNG
37	01	15001082	COPIGLIA	COTTER PIN	GOUPILLE FENDUE	SPLINT
38	01	15175165	SUPPORTO RUOTA	SUPPORT, WHEEL	SUPPORT ROUE	RADHALTERUNG
39	01	15201059	RUOTA	WHEEL	ROUE	RAD
40	01	19955056	RONDELLA	WASHER	RONDELLE	SCHEIBE
41	01	19957116	COPIGLIA	COTTER PIN	GOUPILLE FENDUE	SPLINT
42	04	19952737	VITE	SCREW	VIS	SCHRAUBE
43	01	15205069	COLTRO	COULTER	COUTRE	PFLUGMESSER
44	04	19955052	RONDELLA	WASHER	RONDELLE	SCHEIBE
45	02	19954208	DADO	NUT	ECROU	MUTTER
46	16	19955408	ROSETTA ELASTICA	SPRING WASHER	RONDELLE ELASTIQUE	FEDERSCHEIBE
47	01	15201006	SUPPORTO RUOTA	SUPPORT, WHEEL	SUPPORT ROUE	RADHALTERUNG
48	01	15175129	ASTA	ROD	TIGE	STANGE
49	01	15206068	GUARNIZIONE	GASKET	JOINT	DICHTUNG
50	02	19954254	DADO	NUT	ECROU	MUTTER
51	01	15201005	GAMBO	TIGE	TIGE	SCHAFT
52	01	19956110	GUARNIZIONE	GASKET	JOINT	DICHTUNG
53	01	15005013	TAPPO	PLUG	BOUCHON	STOPFEN
54	01	15056009	GUARNIZIONE	GASKET	JOINT	DICHTUNG
55	01	15201007	COPERCHIO	COVER	COUVERCLE	DECKEL
56	01	19952683	VITE	SCREW	VIS	SCHRAUBE