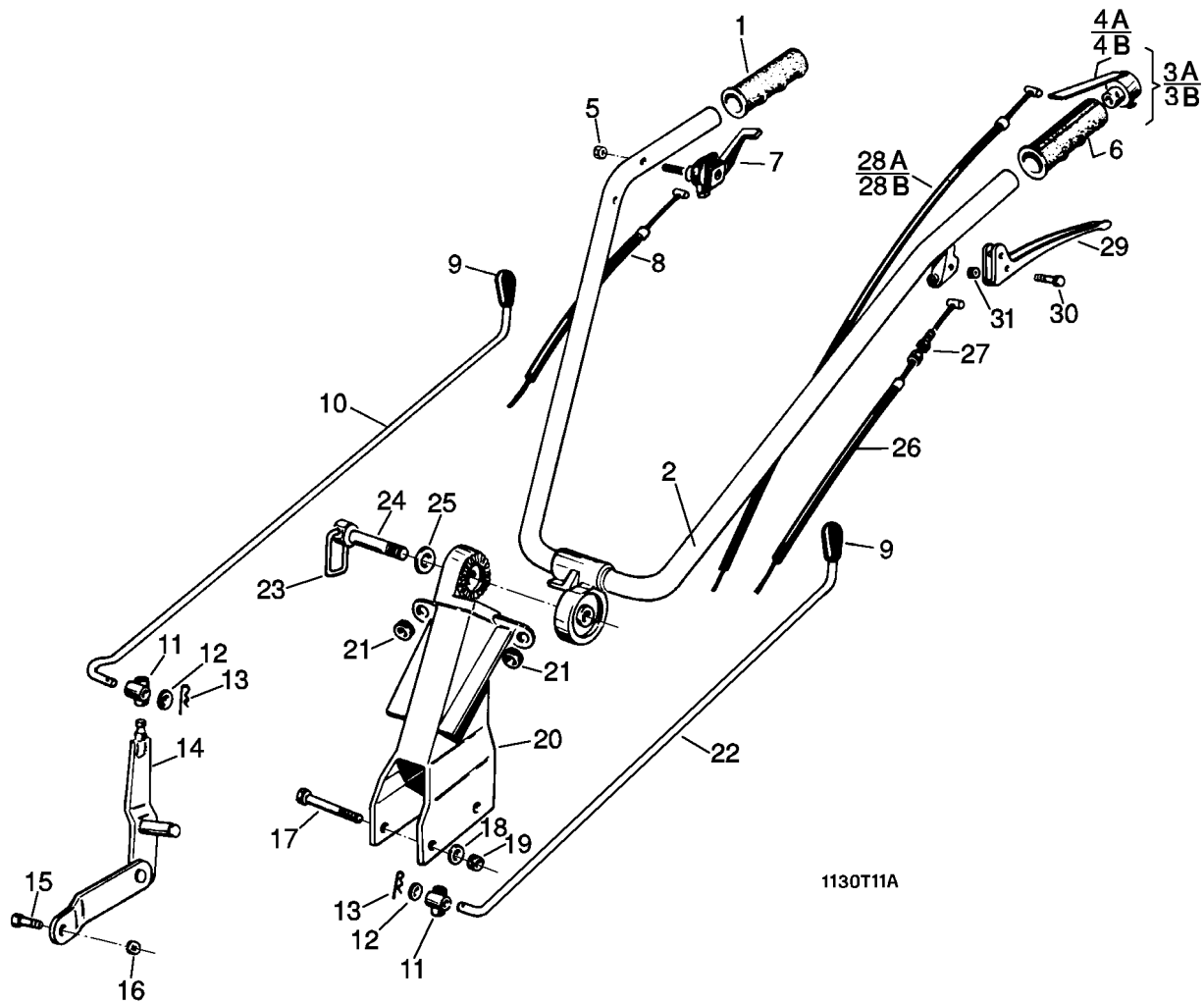


Mod. 1127. – 1130.
ELENCO PARTI DI RICAMBIO
SPARE PARTS LIST
LISTE DES PIECES DE RECHANGE
ERSATZTEILLISTE

Tab. 1 STEGOLE DI GUIDA - HANDLEBARS - MANCHERONS - STERZ
Tab. 1b STEGOLE DI GUIDA - HANDLEBARS - MANCHERONS - STERZ
Tab. 2 CARTER - CASE - CARTER - GEHÄUSE
Tab. 3 CAMBIO DI VELOCITÀ - GEARBOX - CHANGEMENT DE VITESSE - GETRIEBE
Tab. 4 GRUPPO FRESA - TILLER - FRAISE - FRÄSE

Tab. 1 - STEGOLE DI GUIDA - HANDLEBARS - MANCHERONS - STERZ

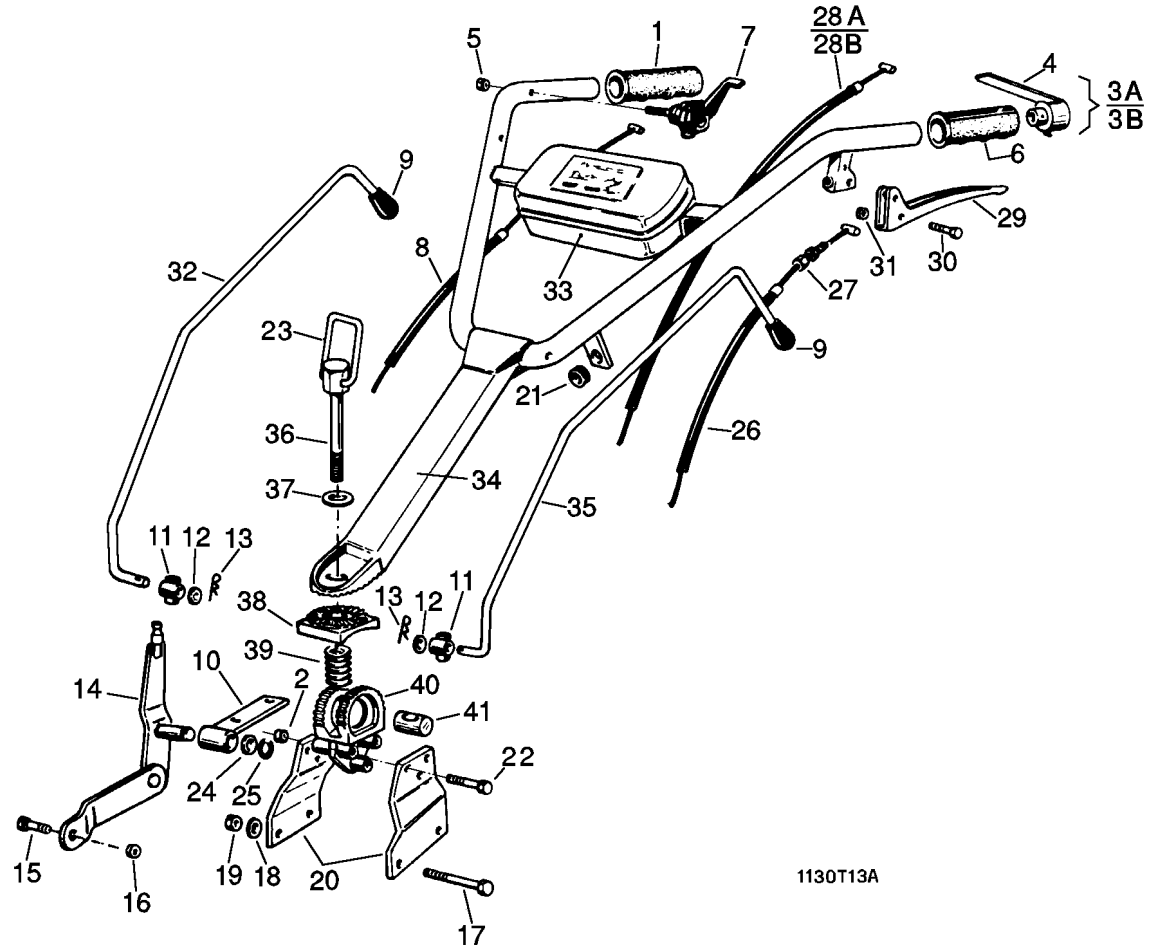


1130T11A

Tab. 1 - STEGOLE DI GUIDA - HANDLEBARS - MANCHERONS - STERZ

REF.	Q.	COD.	DESCRIZIONE	DESCRIPTION	DESCRIPTION	BENENNUNG
01	01	14680364	MANOPOLA	GRIP	POIGNEE	HANDGRIFF
02	01	15265022	STEGOLE DI GUIDA	HANDLEBARS	MANCHERONS	STERZ
03a	01	14660238	MOTORSTOP COMPL. (Diesel)	MOTORSTOP ASS.Y (Diesel)	MOTORSTOP COMPL. (Diesel)	MOTORSTOP KOMP. (Diesel)
03b	01	14660239	MOTORSTOP COMPL. (Benzina)	MOTORSTOP ASS.Y (Gasol.)	MOTORSTOP COMPL. (Ess.)	MOTORSTOP KOMP. (Benzin)
04a	01	14660226	LEVA MOTORSTOP (Diesel)	MOTORSTOP LEVER (Diesel)	LEVIER MOTORSTOP (Diesel)	MOTORSTOEHEBEL (Diesel)
04b	01	14660225	LEVA MOTORSTOP (Benzina)	MOTORSTOP LEVER (Gasol.)	LEVIER MOTORSTOP (Ess.)	MOTORSTOPHEBEL (Benzin)
05	01	19954206	DADO	NUT	ECROU	MUTTER
06	01	14680368	MANOPOLA MOTORSTOP	GRIP, MOTORSTOP	POIGNEE MOTORSTOP	MOTORSTOPGRIFF
07	01	14660203	MANETTINO GAS	THROTTLE LEVER	ACCELERATEUR	GASHEBEL
08	01	14660415	TRASMISSIONE GAS	THROTTLE WIRE, ASS.Y	CABLE GAS COMPLET	GAS-SEILZUG KOMPLETT
09	02	14660187	POMELLO	KNOB	BOUTON	KNEBELGRIFF
10	01	15265019	ASTA	ROD	TIGE	STANGE
11	02	14660136	SNODO	JOINT	JOINT	GELENK
12	02	19955053	RONDELLA	PLAIN WASHER	RONDELLE	SCHEIBE
13	02	15001082	SPINA A MOLLA	SPRING CLIP	GOUPILLE RAPIDE	VORSTECKER
14	01	15265051	LEVA	LEVER	LEVIER	HEBEL
15	01	19952116	VITE	SCREW	VIS	SCHRAUBE
16	01	19954205	DADO	NUT	ECROU	MUTTER
17	02	19952674	VITE	SCREW	VIS	SCHRAUBE
18	02	19955054	RONDELLA	PLAIN WASHER	RONDELLE	SCHEIBE
19	02	19954212	DADO	NUT	ECROU	MUTTER
20	01	15265023	SUPPORTO	SUPPORT	SUPPORT	HALTERUNG
21	02	14680103	GOMMINO	RUBBER RING	CAOUTCHOUC	GUMMIRING
22	01	15265020	ASTA	ROD	TIGE	STANGE
23	01	15001033	MOLLA	SPRING	RESSORT	SPRINGFEDER
24	01	19952657	VITE	SCREW	VIS	SCHRAUBE
25	01	19955055	RONDELLA	PLAIN WASHER	RONDELLE	SCHEIBE
26	01	14660355	TRASMISSIONE FRIZIONE	CLUTCH WIRE, ASS.Y	CABLE COMPLET	KUPPLUNGSEIL KOMPLETT
27	01	14660260	VITE REGISTRO	ADJUSTMENT SCREW	VIS DE REGLAGE	STELLSCHRAUBE
28a	01	14660385	FILO MOTORSTOP (Diesel)	WIRE, MOTORSTOP (Diesel)	CABLE MOTORSTOP (Diesel)	MOTORSTOPSEIL (Diesel)
28b	01	14670104	FILO MOTORSTOP (Benz.)	WIRE, MOTORSTOP (Gasol.)	CABLE MOTORSTOP (Ess.)	MOTORSTOPSEIL Benzin)
29	01	14660220	LEVA	LEVER	LEVIER	HEBEL
30	01	19952720	VITE	SCREW	VIS	SCHRAUBE
31	01	19954253	DADO	NUT	ECROU	MUTTER

Tab. 1b - STEGOLE DI GUIDA - HANDLEBARS - MANCHERONS - STERZ

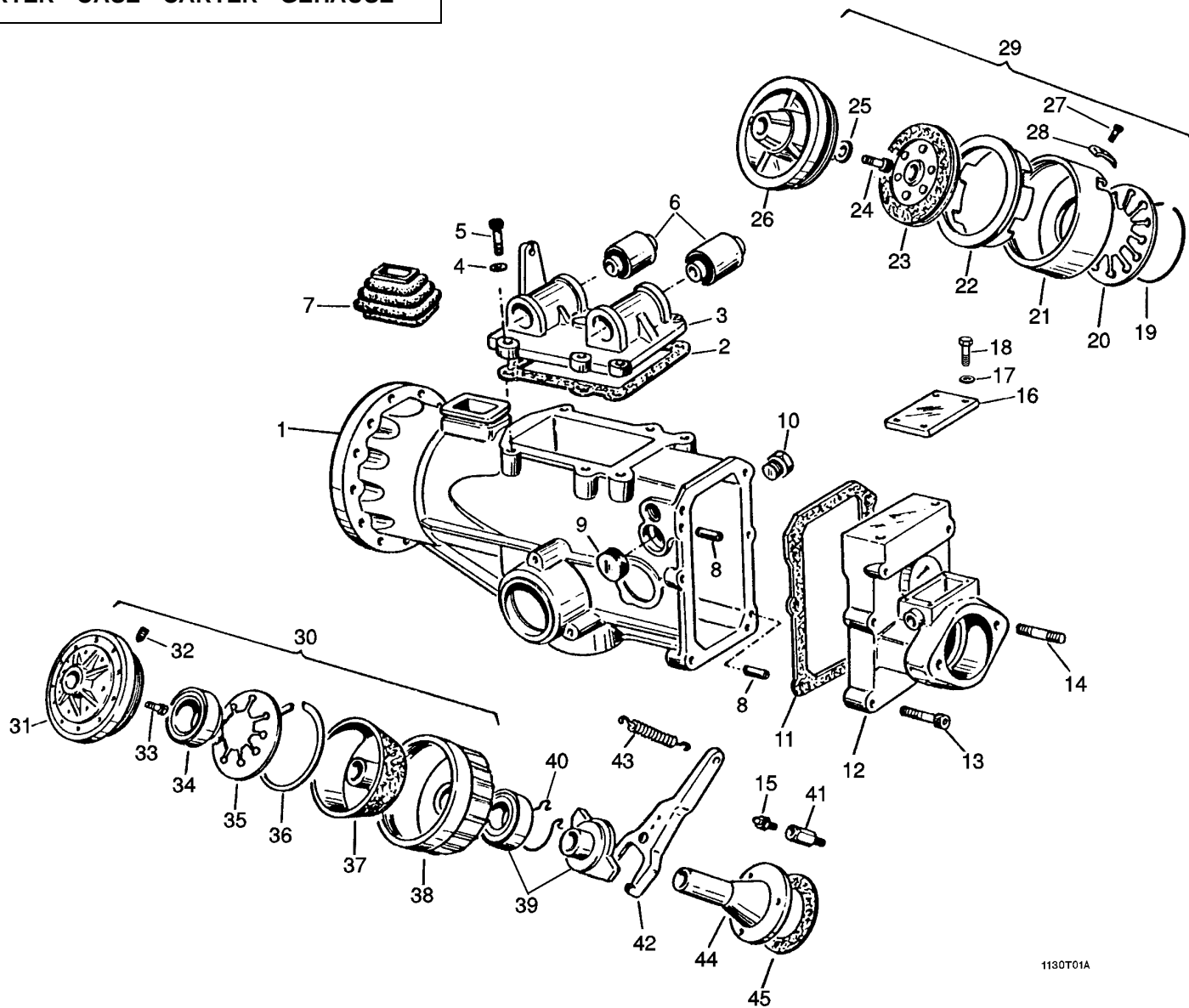


1130T13A

Tab. 1b - STEGOLE DI GUIDA - HANDLEBARS - MANCHERONS - STERZ

REF.	Q.	COD.	DESCRIZIONE	DESCRIPTION	DESCRIPTION	BENENNUNG
01	01	14680364	MANOPOLA	GRIP	POIGNEE	HANDGRIFF
02	03	19954208	DADO	NUT	ECROU	MUTTER
03a	01	14660211	MOTORSTOP COMPL. (Diesel)	MOTORSTOP ASS.Y (Diesel)	MOTORSTOP COMPL. (Diesel)	MOTORSTOP KOMP. (Diesel)
03b	01	14660210	MOTORSTOP COMPL. (Benzina)	MOTORSTOP ASS.Y (Gasol.)	MOTORSTOP COMPL. (Ess.)	MOTORSTOP KOMP. (Benzin)
04a	01	14660226	LEVA MOTORSTOP (Diesel)	MOTORSTOP LEVER (Diesel)	LEVIER MOTORSTOP (Diesel)	MOTORSTOEHEBEL (Diesel)
04b	01	14660225	LEVA MOTORSTOP (Benzina)	MOTORSTOP LEVER (Gasol.)	LEVIER MOTORSTOP (Ess.)	MOTORSTOPHEBEL (Benzin)
05	01	19954206	DADO	NUT	ECROU	MUTTER
06	01	14680368	MANOPOLA MOTORSTOP	GRIP, MOTORSTOP	POIGNEE MOTORSTOP	MOTORSTOPGRIFF
07	01	14660203	MANETTINO GAS	THROTTLE LEVER	ACCELERATEUR	GASHEBEL
08	01	14660415	TRASMISSIONE GAS	THROTTLE WIRE, ASS.Y	CABLE GAS COMPLET	GAS-SEILZUG KOMPLETT
09	02	14660187	POMELLO	KNOB	BOUTON	KNEBELGRIFF
10	01	15305026	SUPPORTO	SUPPORT	SUPPORT	HALTERUNG
11	02	14660136	SNODO	JOINT	JOINT	GELENK
12	02	19955053	RONDELLA	PLAIN WASHER	RONDELLE	SCHEIBE
13	02	15001082	SPINA A MOLLA	SPING CLIP	GOUPILLE RAPIDE	VORSTECKER
14	01	15265051	LEVA	LEVER	LEVIER	HEBEL
15	01	19952116	VITE	SCREW	VIS	SCHRAUBE
16	01	19954205	DADO	NUT	ECROU	MUTTER
17	02	19952674	VITE	SCREW	VIS	SCHRAUBE
18	02	19955054	RONDELLA	PLAIN WASHER	RONDELLE	SCHEIBE
19	02	19954212	DADO	NUT	ECROU	MUTTER
20	02	15305025	COPPIA SUPPORTI	SUPPORTS, COUPLE	COUPLE SUPPORTS	HALTERRUNGEN PAAR
21	02	14680103	GOMMINO	RUBBER RING	CAOUTCHOUC	GUMMIRING
22	03	19952637	VITE	SCREW	VIS	SCHRAUBE
23	01	15001033	MOLLA	SPRING	RESSORT	SPRINGFEDER
24	01	19955053	RONDELLA	PLAIN WASHER	RONDELLE	SCHEIBE
25	01	19955510	ANELLO ELASTICO	LOCKRING	ARRETOIR	SICHERUNGSRING
26	01	14660355	TRASMISSIONE FRIZIONE	CLUTCH WIRE, ASS.Y	CABLE COMPLET	KUPPLUNGSEIL KOMPLETT
27	01	14660260	VITE REGISTRO	ADJUSTMENT SCREW	VIS DE REGLAGE	STELLSCHRAUBE
28a	01	14660385	FILO MOTORSTOP (Diesel)	WIRE, MOTORSTOP (Diesel)	CABLE MOTORSTOP (Diesel)	MOTORSTOPSEIL (Diesel)
28b	01	14670104	FILO MOTORSTOP (Benz.)	WIRE, MOTORSTOP (Gasol.)	CABLE MOTORSTOP (Ess.)	MOTORSTOPSEIL Benzin)
29	01	14660220	LEVA	LEVER	LEVIER	HEBEL
30	01	19952720	VITE	SCREW	VIS	SCHRAUBE
31	01	19954253	DADO	NUT	ECROU	MUTTER
32	01	15305028	LEVA	LEVER	LEVIER	HEBEL
33	01	15005010	BORSA PORTA ATTREZZI	TOOL BOX	TROUSSE PORTEOUTILS	GERÄTETUI
34	01	15085053	STEGOLE	HANDLEBARS	MANCHERONS	STERZ
35	01	15305027	ASTA	ROD	TIGE	STANGE
36	01	15055105	VITE	SCREW	VIS	SCHRAUBE
37	01	19955416	RONDELLA	PLAIN WASHER	RONDELLE	SCHEIBE
38	01	15081046	PIASTRA	PLATE	PLAQUE	PLATTE
39	01	15001045	MOLLA	SPRING	RESSORT	SPRINGFEDER
40	01	15081064	SUPPORTO	SUPPORT	SUPPORT	HALTERUNG
41	01	15053100	DADO	NUT	ECROU	MUTTER

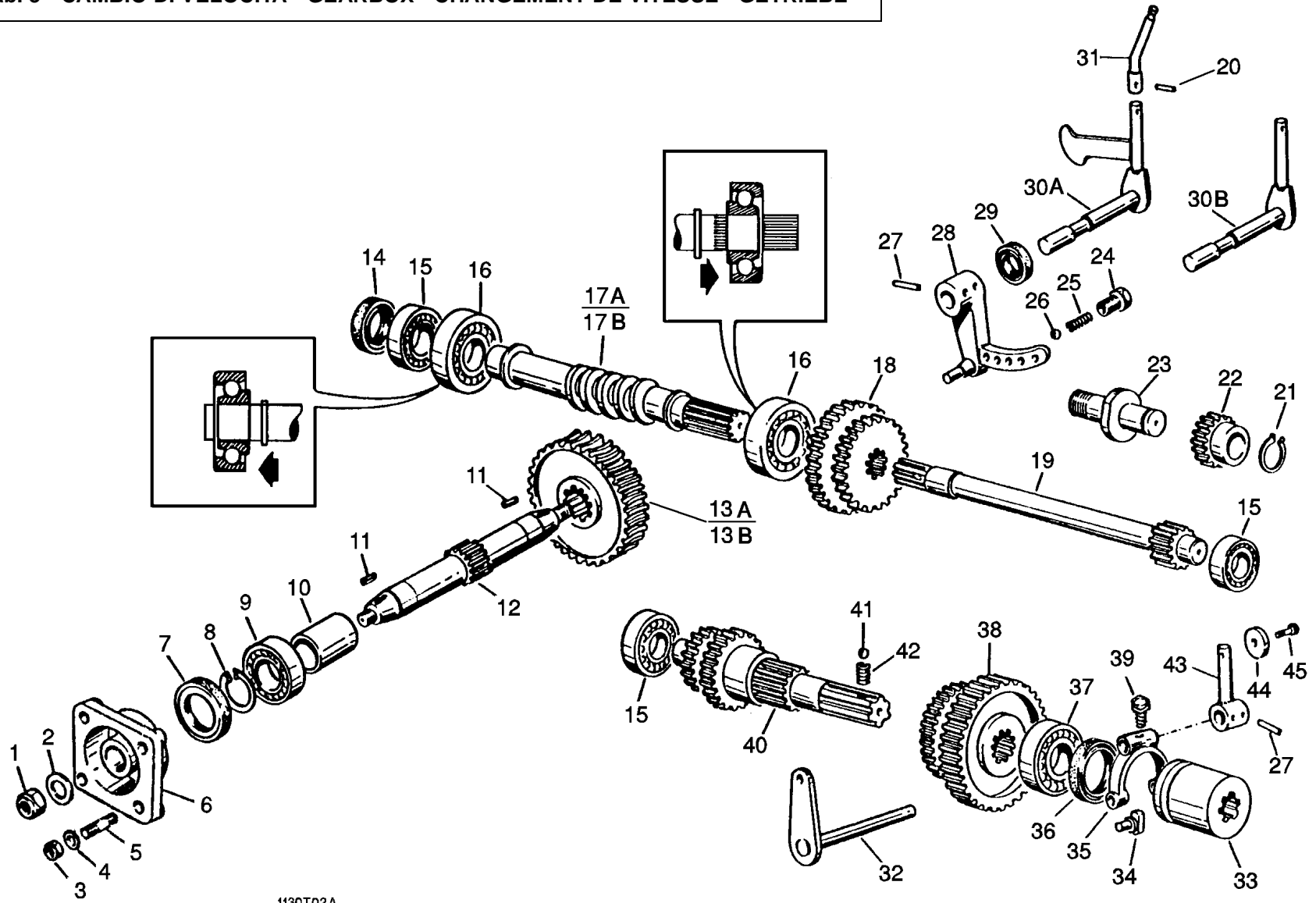
Tab. 2 - CARTER - CASE - CARTER - GEHÄUSE



Tab. 2 - CARTER - CASE - CARTER - GEHÄUSE

REF.	Q.	COD.	DESCRIZIONE	DESCRIPTION	DESCRIPTION	BENENNUNG
01	01	15202002	CARTER	CASE	CARTER	GEHÄUSE
02	01	15206051	GUARNIZIONE	GASKET	JOINT	DICHTUNG
03	01	15261019	COPERCHIO	COVER	COUVERCLE	DECKEL
04	06	19955273	ROSETTA ELASTICA	SPRING WASHER	RONDELLE ELAST.	FEDERSCHEIBE
05	06	19952133	VITE	SCREW	VIS	SCHRAUBE
06	04	14680403	SILENTBLOCK	SILENTBLOCK	SILENTBLOCK	SILENTBLOCK
07	04	14680508	PROTEZIONE IN GOMMA	RUBBER GUARD	PROTECTION	GUMMIMATE
08	02	19955915	SPINA	PIN	GOUPILLE	STIFT
09	01	19922291	TAPPO	PLUG	BOUCHON	STOPFEN
10	01	14660110	TAPPO	PLUG	BOUCHON	STOPFEN
11	01	15206050	GUARNIZIONE	GASKET	JOINT	DICHTUNG
12	01	15261004	COPERCHIO	COVER	COUVERCLE	DECKEL
13	06	19952115	VITE	SCREW	VIS	SCHRAUBE
14	02	15004030	PRIGIONIERO	STUD BOLT	GOUJON	STIFTSCHRAUBE
15	01	14610326	PERNO SFERICO	PIN	PIVOT	STIFT
16	01	15265018	COPERCHIO	COVER	COUVERCLE	DECKEL
17	04	19955306	ROSETTA ELASTICA	SPRING WASHER	RONDELLE ELASTIQUE	FEDERSCHEIBE
18	04	19952714	VITE	SCREW	VIS	SCHRAUBE
19	-	-----	NON FORNIBILE	LOCKRING	ARRETOIR	SICHERUNGSRING
20	-	-----	NON FORNIBILE	N/A	NON DISPONIBLE	NICHT VERFÜGBAR
21	-	-----	NON FORNIBILE	N/A	NON DISPONIBLE	NICHT VERFÜGBAR
22	-	-----	NON FORNIBILE	N/A	NON DISPONIBLE	NICHT VERFÜGBAR
23	01	14610303	DISCO FRIZIONE	CLUTCH DISK	DISQUE	KUPPLUNGSCHEIBE
24	01	19952729	VITE	SCREW	VIS	SCHRAUBE
25	01	19955308	ROSETTA ELASTICA	SPRING WASHER	RONDELLE ELAST.	FEDERSCHEIBE
26	-	-----	NON FORNIBILE	N/A	NON DISPONIBLE	NICHT VERFÜGBAR
27	-	-----	NON FORNIBILE	N/A	NON DISPONIBLE	NICHT VERFÜGBAR
28	-	-----	NON FORNIBILE	N/A	NON DISPONIBLE	NICHT VERFÜGBAR
29	01	14610302	GRUPPO FRIZIONE (SC 90 A)	CLUCTH ASS.Y (SC 90 A)	EMBAYAGE COMP. (SC 90 A)	KUPPLUNG KOMPL. (SC 90 A)
30	01	14610336	GRUPPO FRIZIONE (CN 85 A)	CLUCTH ASS.Y (CN 85 A)	EMBAYAGE COMP. (CN 85 A)	KUPPLUNG KOMPL. (CN 85 A)
31	01	15081042	FLANGIA	FLANGE	BRIDE	FLANSCH
32	01	19952508	VITE	SCREW	VIS	SCHRAUBE
33	01	19952128	VITE	SCREW	VIS	SCHRAUBE
34	01	15083049	CUSCINETTO	BEARING	ROULEMENT	LAGER
35	01	15083043	MOLLA A TAZZA	DISK SPRING	RESSORT A DISQUE	SCHEIBENFEDER
36	01	15083044	ANELLO ELASTICO	LOCKRING	ARRETOIR	SICHERUNGSRING
37	01	15083040	CAMPANA CONDOTTA	DRIVEN PLATE	CLOCHE ENTRAINEE	ANTRIEBSGLOCKE
38	01	15082041	CAMPANA CON FERODO	LINED PLATE	CLOCHE A FERODO	REIBUNGSGLOCKE
39	01	14610337	MANICOTTO C/CUSCINETTO	BEARING W/FITTING	MANCHON AVEC ROULEMENT	MUFFE MIT LAGER
40	01	14610332	MOLLA	SPRING	RESSORT	SPRINGFEDER
41	01	15265016	SUPPORTO	SUPPORT	SUPPORT	HALTERUNG
42	01	14610305	LEVA	LEVER	LEVIER	HEBEL
43	01	15001017	MOLLA	SPRING	RESSORT	SPRINGFEDER
44	01	15201009	MANICOTTO	FITTING	MANCHON	MUFFE
45	01	15206052	GUARNIZIONE	GASKET	JOINT	DICHTUNG

Tab. 3 - CAMBIO DI VELOCITÀ - GEARBOX - CHANGEMENT DE VITESSE - GETRIEBE



1130T02A

Tab. 3 - CAMBIO DI VELOCITÀ - GEARBOX - CHANGEMENT DE VITESSE - GETRIEBE

REF.	Q.	COD.	DESCRIZIONE	DESCRIPTION	DESCRIPTION	BENENNUNG
01	02	19954258	DADO	NUT	ECROU	MUTTER
02	02	19955056	RONDELLA	PLAIN WASHER	RONDELLE	SCHEIBE
03	08	19954047	DADO	NUT	ECROU	MUTTER
04	08	19955275	ROSETTA ELASTICA	SPRING WASHER	RONDELLE ELAST.	FEDERSCHEIBE
05	08	15004027	PRIGIONIERO	STUD BOLT	GOUJON	STIFTSCHRAUBE
06	02	15201008	MOZZO	HUB	MOYEU	NABE
07	02	19921028	ANELLO DI TENUTA	SEAL RING	BAGUE D'ETANCHEITE	DICHTRING
08	02	19955652	ANELLO ELASTICO	LOCKRING	ARRETOIR	SICHERUNGSRING
09	02	19900326	CUSCINETTO	BEARING	ROULEMENT	LAGER
10	02	15205041	DISTANZIALE	SPACER	ENTRETOISE	DISTANZSTUCK
11	02	19956317	LINGUETTA	SPLINE	CLAVETTE	KEIL
12	01	15204020	ALBERO	SHAFT	ARBRE	WELLE
13a	01	15204021	CORONA DENTATA (M.T.C.)	RING GEAR (TILLER)	COURONNE (CULTEUR)	ZAHNKRANZ (HACKER)
13b	01	15264008	CORONA DENTATA (M.F.)	RING GEAR (MOWER)	COURONNE (FAUCHEUSE)	ZAHNKRANZ (MÄHER)
14	01	19922053	ANELLO DI TENUTA	SEAL RING	BAGUE D'ETANCHEITE	DICHTRING
15	03	19900311	CUSCINETTO	BEARING	ROULEMENT	LAGER
16	02	19901005	CUSCINETTO	BEARING	ROULEMENT	LAGER
17a	01	15204011	VITE SENZA FINE (M.T.C.)	WORM SCREW (TILLER)	VIS SANS FIN (CULTEUR)	ENDLOSSCHRAUBE (HACKER)
17b	01	15264005	VITE SENZA FINE (M.F.)	WORM SCREW (MOWER)	VIS SANS FIN (FAUCHEUSE)	ENDLOSSCHRAUBE (MÄHER)
18	01	15264006	INGRANAGGIO	GEAR	PIGNON	ZAHNRAD
19	01	15264004	ALBERO	SHAFT	ARBRE	WELLE
20	01	19957117	COPIGLIA	COTTER PIN	GOUPILLE FENDUE	SPLINT
21	01	19955514	ANELLO ELASTICO	LOCKRING	ARRETOIR	SICHERUNGSRING
22	01	15264009	INGRANAGGIO SCORREV.	SLIDING GEAR	BLADEUR	SCHEIBERAD
23	01	15264010	ALBERO	SHAFT	ARBRE	WELLE
24	01	15205049	BOCCOLA	BUSH	DOUILLE	BÜCHSE
25	01	15207088	MOLLA	SPRING	RESSORT	SPRINGFEDER
26	01	19900012	SFERA	BALL	BILLE	KUGEL
27	04	19955724	SPINA ELASTICA	ROLL PIN	GOUPILLE ELAST.	FEDERSTIFT
28	01	15263033	LEVA	LEVER	LEVIER	HEBEL
29	01	19922031	ANELLO DI TENUTA	SEAL RING	JOINT D'ETANCHEITE	DICHTRING
30a	01	15265015	ALBERO CON LEVA (M.T.C.)	CLUTCH LEVER (TILLER)	LEVIER DE L'EMBR. (CULTEUR)	KUPPLUNGHEBEL (HACKER)
30b	01	15265014	ALBERO CON LEVA (M.F.)	CLUTCH LEVER (MOWER)	LEVIER (FAUCHEUSE)	KUPPLUNGHEBEL (MÄHER)
31	01	15265053	PROLUNGA	EXTENSION	RALLONGE	VERLÄNGERUNG
32	01	15265021	ALBERO CON LEVA	CLUTCH LEVER	LEVIER DE L'EMBRAYAGE	KUPPLUNGHEBEL
33	01	15264011	MANICOTTO	FITTING	MANCHON	MUFFE
34	02	15034026	PATTINO	SLIDING SHOE	PATIN	GLEITSTÜCK
35	01	15053028	FORCELLA	FORK	FOURCHE	GABEL
36	01	19922119	ANELLO DI TENUTA	SEAL RING	BAGUE D'ETANCHEITE	DICHTRING
37	01	19900321	CUSCINETTO	BEARING	ROULEMENT	LAGER
38	01	15264013	INGRANAGGIO	GEAR	PIGNON	ZAHNRAD
39	01	19952720	VITE	SCREW	VIS	SCHRAUBE
40	01	15264007	ALBERO	SHAFT	ARBRE	WELLE
41	01	19900012	SFERA	BALL	BILLE	KUGEL
42	01	15207057	MOLLA	SPRING	RESSORT	SPRINGFEDER
43	01	15265054	LEVA	LEVER	LEVIER	HEBEL
44	01	15265059	RONDELLA	PLAIN WASHER	RONDELLE	SCHEIBE
45	01	19952127	VITE	SCREW	VIS	SCHRAUBE

Tab. 4 – GRUPPO FRESA - TILLER - FRAISE - FRÄSE

REF.	Q.	COD.	DESCRIZIONE	DESCRIPTION	DESCRIPTION	BENENNUNG
01	01	15201005	GAMBO	TIGE	TIGE	SCHAFT
02	01	19952687	VITE	SCREW	VIS	SCHRAUBE
03	—	19952729	VITE	SCREW	VIS	SCHRAUBE
04	01	15201007	COPERCHIO	COVER	COUVERCLE	DECKEL
05	01	15056009	GUARNIZIONE	GASKET	JOINT	DICHTUNG
06	01	15005013	TAPPO	PLUG	BOUCHON	STOPFEN
07	—	19954208	DADO	NUT	ECROU	MUTTER
08	01	15175129	ASTA	ROD	TIGE	STANGE
09	01	15201006	SUPPORTO	SUPPORT	SUPPORT	HALTERUNG
10	—	19955273	ROSETTA ELASTICA	SPRING WASHER	RONDELLE ELASTIQUE	FEDERSCHEIBE
11	01	15205068	COLTRO	COULTER	COUTRE	KOLTER
12	01	15206068	GUARNIZIONE	GASKET	JOINT	DICHTUNG
13	04	19954212	DADO	NUT	ECROU	MUTTER
14	04	19955275	ROSETTA ELASTICA	SPRING WASHER	RONDELLE ELASTIQUE	FEDERSCHEIBE
15	01	15205071	COFANO REGOLAB. (60 cm)	COWL, ADJUST., (60 cm)	COFFRE REGLABLE (60 cm)	HAUBE MIT REGUL. (60 cm)
16	01	15195069	TIRANTE (70/80 cm)	STAY-ROD (70/80 cm)	TIRANT (70/80 cm)	SPANNBOLZEN (70/80 cm)
17	01	15175125	TIRANTE (48 cm)	STAY-ROD (48 cm)	TIRANT (48 cm)	SPANNBOLZEN (48 cm)
18	01	19954256	DADO	NUT	ECROU	MUTTER
19	01	15175127	RONDELLA	PLAIN WASHER	RONDELLE	SCHEIBE
20	01	15175121	SUPPORTO SENZA LAME	SUPPORT, W/OUT BLADES	SUPPORT SANS LAMES	HALTERUNG OHNE MESSEREN
21	01	15175123	SUPPORTO SENZA LAME CENT.	SUPPORT, W/OUT BLADES CEN.	SUPPORT SANS LAMES CENT.	MITTELHALTERUNG OHNE MESS.
22	—	15175133	LAMA SX	BLADE (L.H.)	LAME G.	MESSER L.
23	—	15175120	LAMA DX	BLADE (R.H.)	LAME D.	MESSER R.
24	01	15175126	TIRANTE (27 cm)	TIE-ROD (27 cm)	TIRANT (27 cm)	SPANNBOLZEN (27 cm)
25	01	15175131	SUPPORTO SENZA LAME LAT.	SUPPORT, W/OUT BLADES LAT.	SUPPORT SANS LAME LAT.	SEITENHALTERUNG OHNE MESS
26	02	19921038	ANELLO DI TENUTA	SEAL RING	BAGUE D'ETANCHEITE	DICHTRING
27	02	19900231	CUSCINETTO	BEARING	ROULEMENT	LAGER
28	01	15174035	ALBERO	SHAFT	ARBRE	WELLE
29	01	15174034	CORONA DENTATA	RING GEAR	COURONNE DENTEE	ZAHNKRANZ
30	01	15174033	PIGNONE	PINION	PIGNON	RITZEL
31	01	19901004	CUSCINETTO	BEARING	ROULEMENT	LAGER
32	01	19922119	ANELLO DI TENUTA	SEAL RING	BAGUE D'ETANCHEITE	DICHTRING
33	01	19900322	CUSCINETTO	BEARING	ROULEMENT	LAGER
34	01	19955520	ANELLO ELASTICO	LOCKRING	ARRETOIR	SICHERUNGSRING
35	01	15305035	COFANO FISSO (50 cm)	COVER (50 cm)	COUVERCLE (50 cm)	DECKEL (50 cm)
36	01	15305036	COFANO FISSO (60 cm)	COVER (60 cm)	COUVERCLE (60 cm)	DECKEL (60 cm)
37	01	15195080	SUPPORTO SENZA LAME	SUPPORT, W/OUT BLADES	SUPPORT SANS LAMES	HALTERUNG OHNE MESSEREN

Tab. 4 – GRUPPO FRESA - TILLER - FRAISE - FRÄSE

