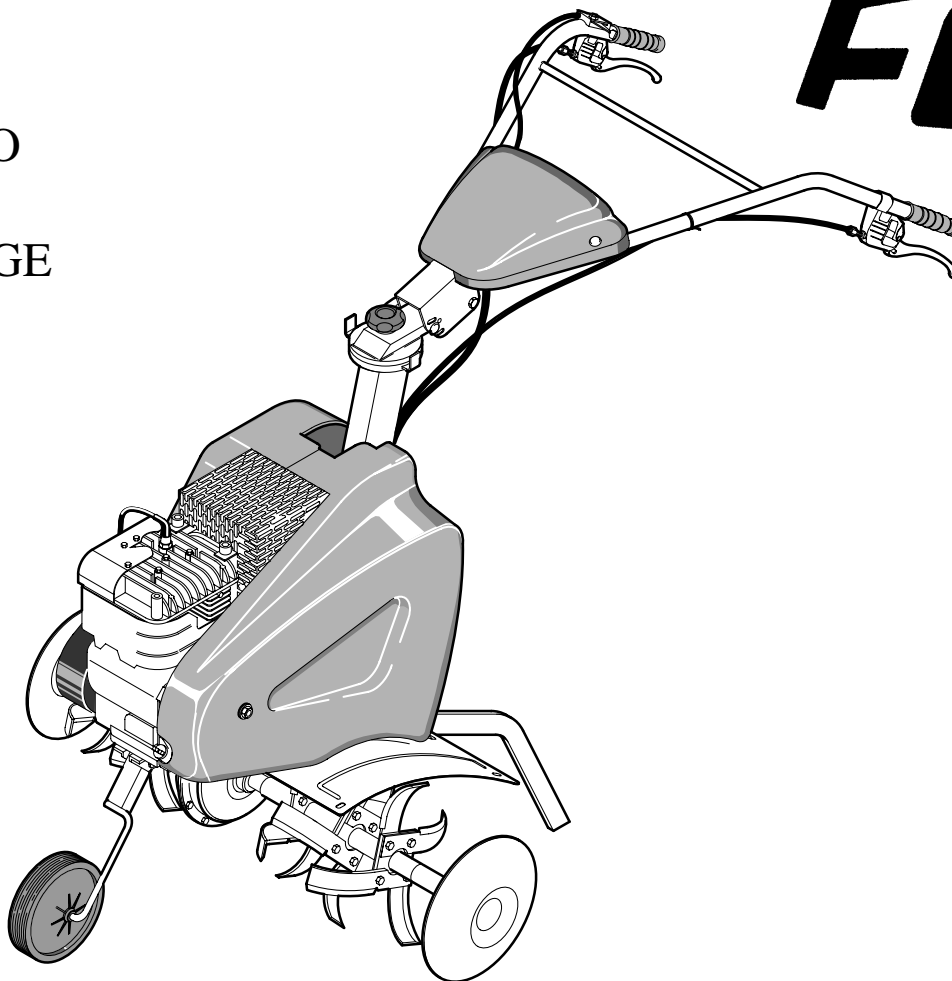


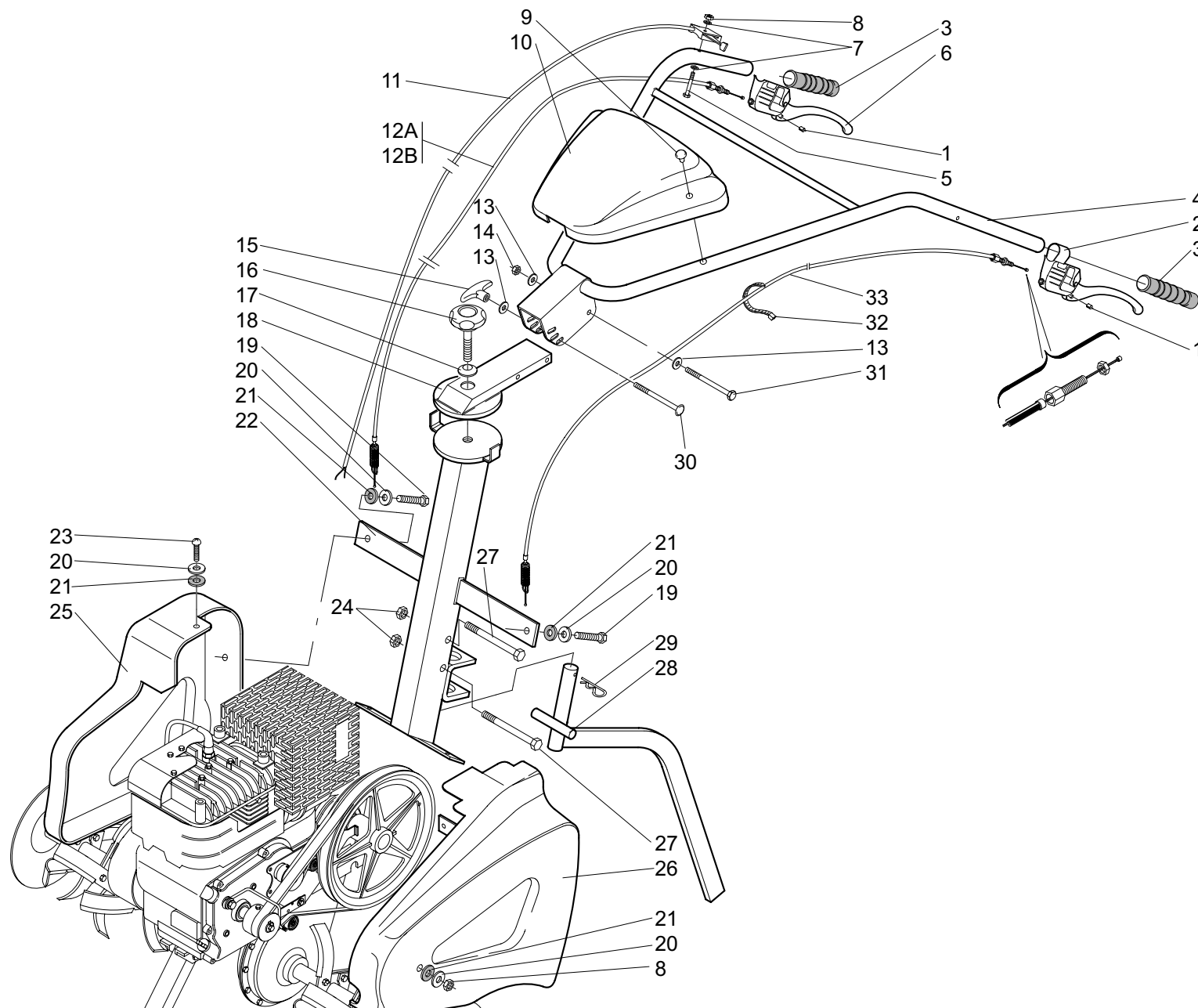
Mod. MZ TRE D. GIU.
Cod. 1146. - 1149.

PARTI DI RICAMBIO
SPARE PARTS
PIECES DE RECHANGE
ERSATZTEILLISTE

FORT[®]



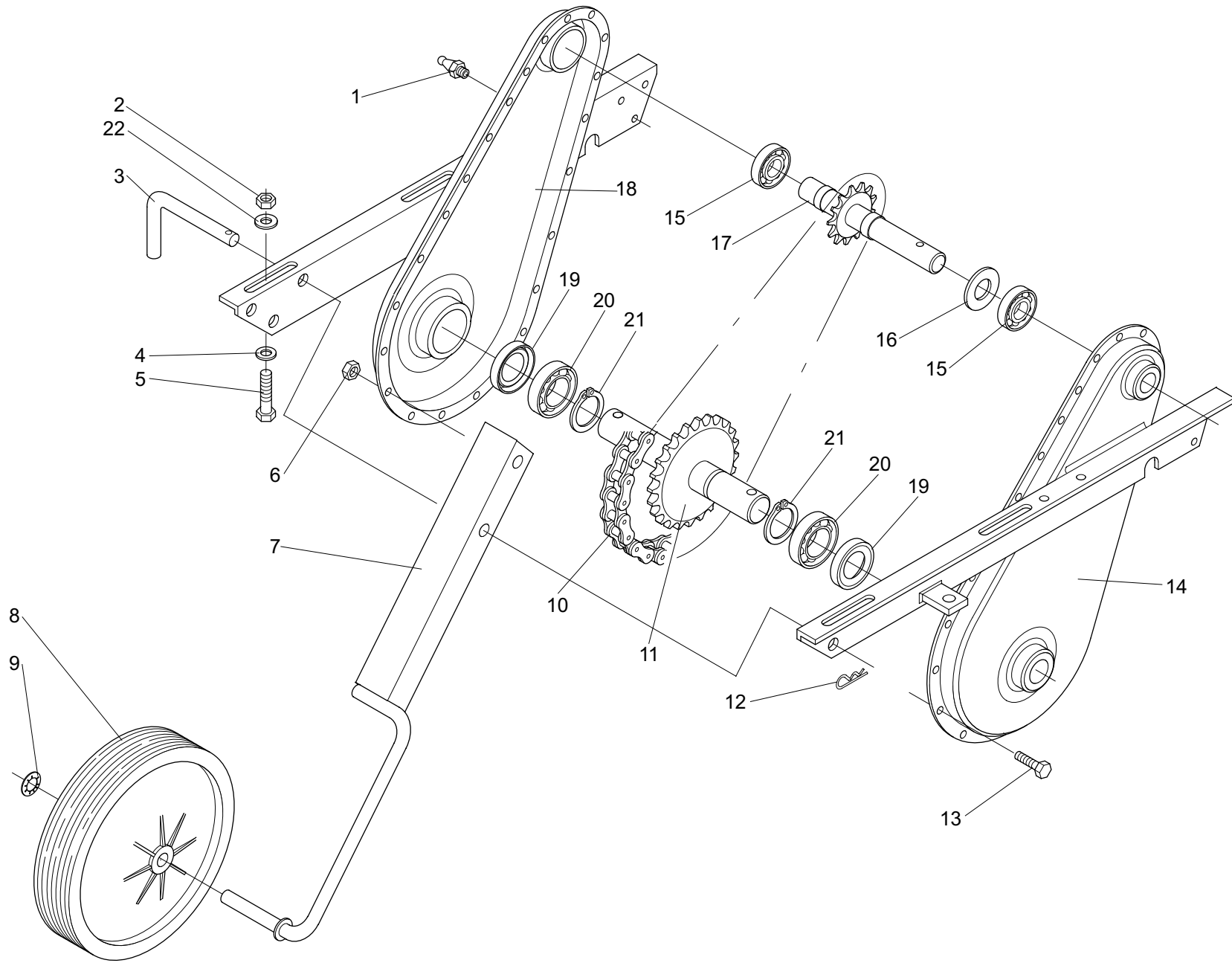
Tav.	1	Stegole di guida	Handlebars	Mancherons	Führungsholm
Tav.	2	Trasmissione	Shafting	Transmission	Transmission
Tav.	3	Trasmissione B&S	Shafting B&S	Transmission B&S	Transmission B&S
Tav.	3A	Trasmissione B&S Intek	Shafting B&S Intek	Transmission B&S Intek	Transmission B&S Intek
Tav.	4	Trasmissione Honda	Shafting Honda	Transmission Honda	Transmission Honda
Tav.	5	Gruppo fresa	Tiller	Fraise	Fräse



TAB. 01

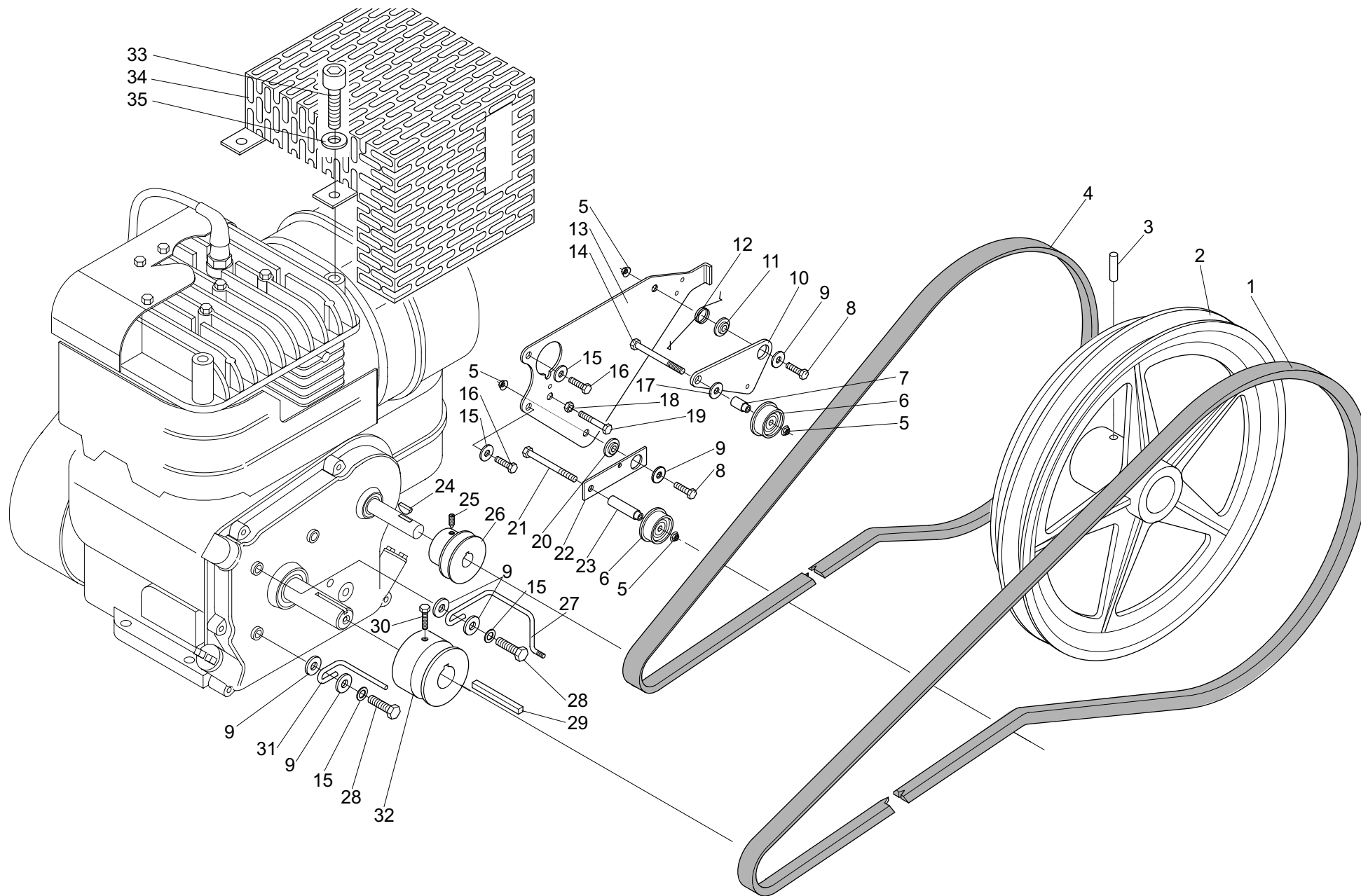
STEGOLE DI GUIDA - HANDLEBARS
MANCHERONS - FÜHRUNGSHOLM

REF.	Q.	COD.	DESCRIZIONE	DESCRIPTION	DESCRIPTION	BENENNUNG
01	02	14680806	CLIP	CLIP	CLIP	CLIP
02	01	14660268	LEVA C/BLOCCAGGIO	LEVER W/LOCK	LEVIER A BLOC	HEBEL MIT BLOCKIERUNG
03	02	14680377	MANOPOLA	GRIP	POIGNEE	HANDGRIFF
04	01	15755046	STEGOLA	HANDLEBARS	MANCHERONS	FÜHRUNGSHOLM
05	01	19952190	VITE	SCREW	VIS	SCHRAUBE
06	01	14660267	LEVA	LEVER	LEVIER	HEBEL
07	02	19955051	RONDELLA	PLAIN WASHER	RONDELLE	SCHEIBE
08	02	19954206	DADO	NUT	ECROU	MUTTER
09	02	14680112	TAPPO	FASTENER	FIXATION	FESTKLEMME
10	01	15486025	COFANO	BONNET	COFFRE	MOTORHAUBE
11	01	14660269	TRASMISSIONE GAS	WIRE, THROTTLE, ASS.Y	CABLE GAS COMPLET	GAS-SEILZUG KOMPLETT
12A	01	14660547	TRASMISSIONE (B&S)	WIRE, ASS. Y (B&S)	CABLE COMPLET (B&S)	SEILZUG KOMPLETT (B&S)
12B	01	14660549	TRASMISSIONE (HONDA)	WIRE, ASS. Y (HONDA)	CABLE COMPLET (HONDA)	SEILZUG KOMPLETT (HONDA)
13	03	19955009	RONDELLA	PLAIN WASHER	RONDELLE	SCHEIBE
14	01	19954208	DADO	NUT	ECROU	MUTTER
15	01	14660195	POMELLO	KNOB	BOUTON	KNEBELGRIFF
16	01	14660190	POMELLO	KNOB	BOUTON	KNEBELGRIFF
17	01	19955414	RONDELLA	PLAIN WASHER	RONDELLE	SCHEIBE
18	01	15485118	SUPPORTO	SUPPORT	SUPPORT	HALTERUNG
19	02	19952714	VITE	SCREW	VIS	SCHRAUBE
20	04	19955008	RONDELLA	PLAIN WASHER	RONDELLE	SCHEIBE
21	04	19956177	GOMMINO	RUBBER RING	CAOUTCHOUC	GUMMIRING
22	01	15485117	SUPPORTO	SUPPORT	SUPPORT	HALTERUNG
23	01	19953109	VITE	SCREW	VIS	SCHRAUBE
24	02	19954254	DADO	NUT	ECROU	MUTTER
25	01	15486026	COFANO DX	BONNET R.H.	COFFRE D.	MOTORHAUBE R.
26	01	15486027	COFANO SX	BONNET L.H.	COFFRE G.	MOTORHAUBE L.
27	02	19952617	VITE	SCREW	VIS	SCHRAUBE
28	01	15655039	SPERONE	SPUR	EPERON	SPORN
29	01	15001082	SPINA A MOLLA	SPRING CLIP	GOUPILLE RAPIDE	VORSTECKER
30	01	19951824	VITE	SCREW	VIS	SCHRAUBE
31	01	19952643	VITE	SCREW	VIS	SCHRAUBE
32	01	14680801	FASCETTA	STRAP	COLLIER	HALTERBAND
33	01	14660545	TRASMISSIONE	WIRE, ASS.Y	CABLE COMPLET	SEILZUG KOMPLETT



TAB. 02
TRASMISSIONE - SHAFTING
TRANSMISSION - TRANSMISSION

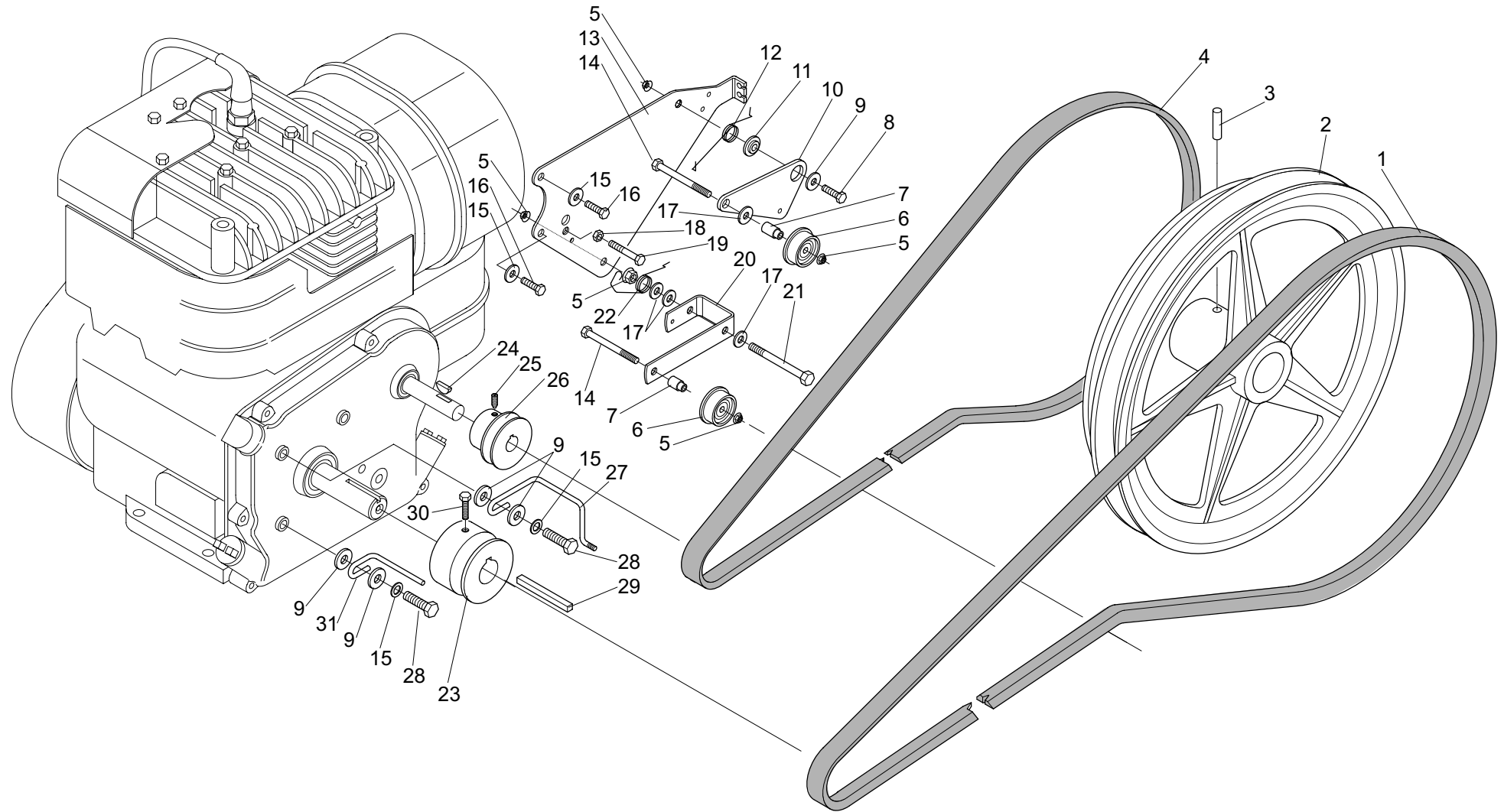

REF.	Q.	COD.	DESCRIZIONE	DESCRIPTION	DESCRIPTION	BENENNUNG
01	01	19956203	INGRASSATORE	GREASE NIPPLE	GRAISSEUR	SCHMIERNIPPLE
02	04	19954208	DADO	NUT	ECROU	MUTTER
03	02	15485072	SPINA	PIN	GOUPILLE	STIFT
04	04	19955009	RONDELLA	WASHER	RONDELLE	SCHEIBE
05	04	19952612	VITE	SCREW	VIS	SCHRAUBE
06	18	19954205	DADO	NUT	ECROU	MUTTER
07	01	15485126	SUPPORTO	SUPPORT	SUPPORT	HALTERUNG
08	01	12320097	RUOTINO	WHEEL	ROUE	RAD
09	01	19958115	ANELLO ELASTICO	LOCKRING	ARRETOIR	SICHERUNGSRING
10	01	14650730	CATENA	CHAIN	CHAINE	KETTE
11	01	15485006	ALBERO	SHAFT	ARBRE	WELLE
12	02	15001081	SPINA A MOLLA	SPRING CLIP	GOUPILLE RAPIDE	VORSTECKER
13	18	19952106	VITE	SCREW	VIS	SCHRAUBE
14	01	15485008	COPERTURA SX	COVER, L.H.	COUVERCLE G.	HAUBE L.
15	02	19902217	CUSCINETTO	BEARING	ROULEMENT	LAGER
16	03	19956020	SPESSORE	SHIM	CALE D'EPaisseur	DISTANZSCHEIBE
17	01	15484002	PIGNONE	SPROCKET	PIGNON	RITZEL
18	01	15485009	COPERTURA DX	COVER, R.H.	COUVERCLE DR.	HAUBE R.
19	02	15485010	ANELLO PARAPOLVERE	SEAL	JOINT D'ETANCHEITE	DICHTRING
20	02	19903332	CUSCINETTO	BEARING	ROULEMENT	LAGER
21	02	19955529	ANELLO ELASTICO	LOCKRING	ARRETOIR	SICHERUNGSRING
22	04	19955052	RONDELLA (HONDA)	WASHER (HONDA)	RONDELLE (HONDA)	SCHEIBE (HONDA)



TAB. 03

TRASMISSIONE B&S - SHAFTING B&S
TRANSMISSION B&S - TRANSMISSION B&S

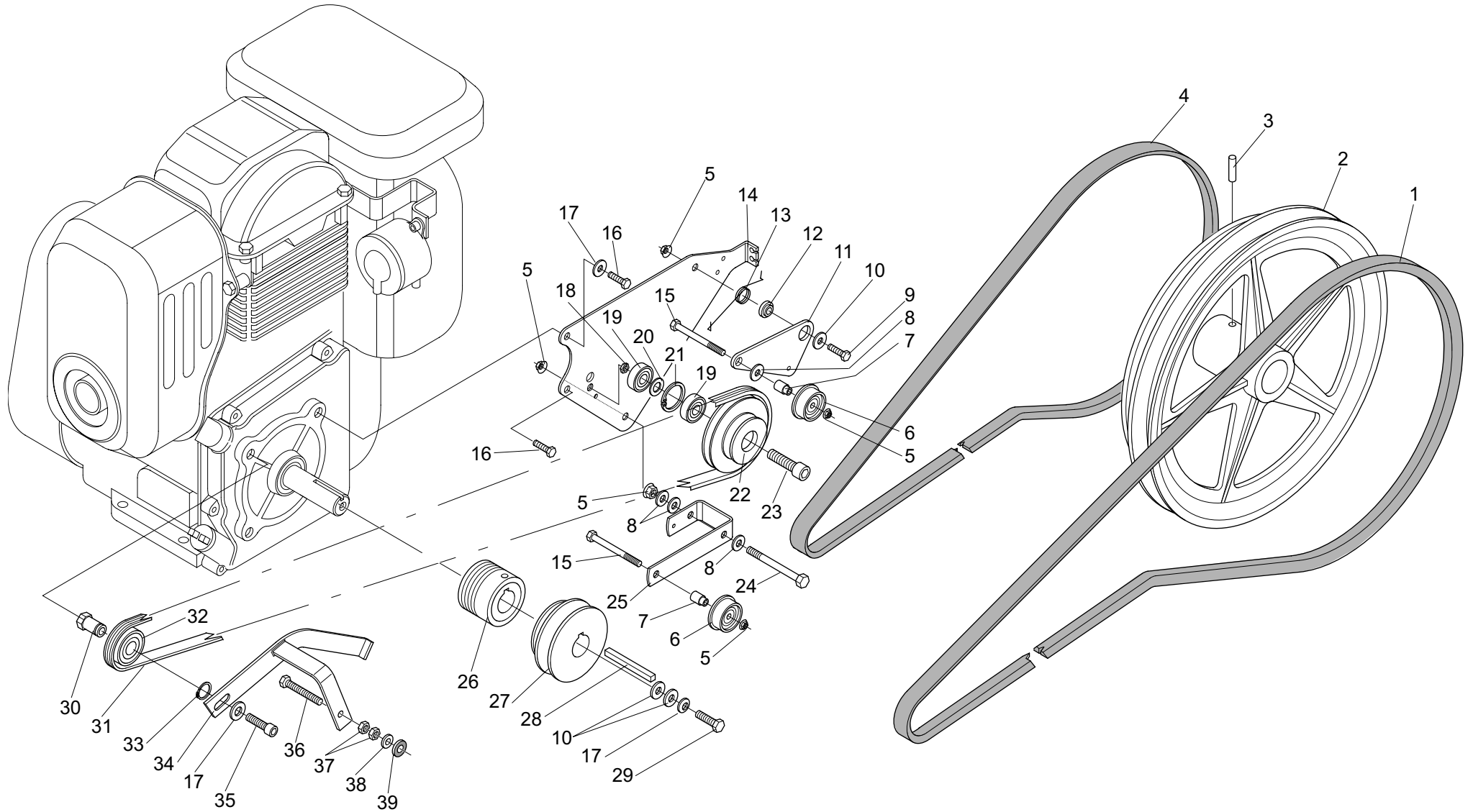

REF.	Q.	COD.	DESCRIZIONE	DESCRIPTION	DESCRIPTION	BENENNUNG
01	01	14681010K	CINGHIA	BELT	COURROIE	RIEMEN
02	01	15482004NT	PULEGGIA	PULLEY	POULIE	RIEMENSCHLEIBE
03	01	19955747	SPINA ELETSTICA	ROLL PIN	GOUPILLE ELAST.	STIFT
04	01	14681035K	CINGHIA	BELT	COURROIE	RIEMEN
05	04	19953908	DADO	NUT	ECROU	MUTTER
06	02	15486022	PULEGGIA	PULLEY	POULIE	RIEMENSCHLEIBE
07	01	15485122	PERNO	PIN	AXE	BOLZEN
08	02	19952729	VITE	SCREW	VIS	SCHRAUBE
09	06	19955009	RONDELLA	WASHER	RONDELLE	SCHLEIBE
10	01	15485114	LEVA	LEVER	LEVIER	HEBEL
11	01	15485132	PERNO	PIN	AXE	BOLZEN
12	01	15001054	MOLLA	SPRING	RESSORT	FEDER
13	01	15485109	PIASTRA	PLATE	PLAQUE	PLATTE
14	01	19952608	VITE	SCREW	VIS	SCHRAUBE
15	04	19955408	ANELLO ELASTICO	LOCKRING	ARRETOIR	SICHERUNGSRING
16	02	19950101	VITE	SCREW	VIS	SCHRAUBE
17	01	19955052	RONDELLA	WASHER	RONDELLE	SCHLEIBE
18	01	19954003	DADO	NUT	ECROU	MUTTER
19	01	19952611	VITE	SCREW	VIS	SCHRAUBE
20	01	15485121	PERNO	PIN	AXE	BOLZEN
21	01	19952637	VITE	SCREW	VIS	SCHRAUBE
22	01	15485128	LEVA	LEVER	LEVIER	HEBEL
23	01	15485123	PERNO	PIN	AXE	BOLZEN
24	01	19956408	LINGUETTA	SPLINE	CLAVETTE	KEIL
25	01	19952512	VITE	SCREW	VIS	SCHRAUBE
26	01	15485021	PULEGGIA	PULLEY	POULIE	RIEMENSCHLEIBE
27	01	15485138	GUIDACINGHIA	BELT DRIVE	GUIDE-COURROIE	RIEMENFÜHRUNG
28	02	19950106	VITE	SCREW	VIS	SCHRAUBE
29	01	19956347	CHIAVETTA	SPLINE	CLAVETTE	KEIL
30	01	19952720	VITE	SCREW	VIS	SCHRAUBE
31	01	15485139	GUIDACINGHIA	BELT DRIVE	GUIDE-COURROIE	RIEMENFÜHRUNG
32	01	15485020	PULEGGIA	PULLEY	POULIE	RIEMENSCHLEIBE
33	01	19950108	VITE	SCREW	VIS	SCHRAUBE
34	01	14610218	PROTEZIONE	GUARD	CAPOT	SCHTZ
35	01	19955007	RONDELLA	WASHER	RONDELLE	SCHLEIBE



TAB. 03A

TRASMISSIONE (B&S INTEK) - SHAFTING (B&S INTEK)
TRANSMISSION (B&S INTEK) - TRANSMISSION (B&S INTEK)

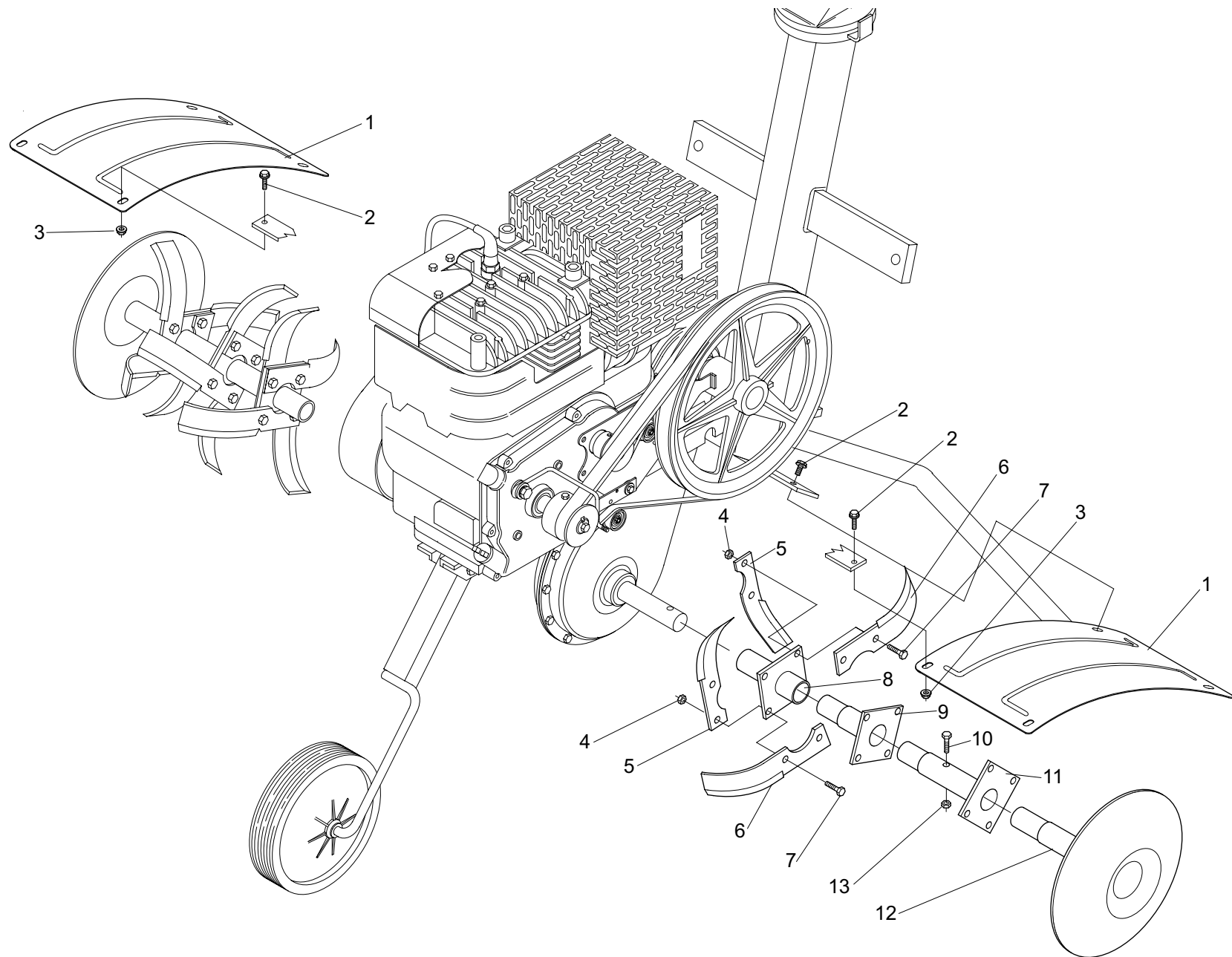

REF.	Q.	COD.	DESCRIZIONE	DESCRIPTION	DESCRIPTION	BENENNUNG
01	01	14681010K	CINGHIA	BELT	COURROIE	RIEMEN
02	01	15482004NT	PULEGGIA	PULLEY	POULIE	RIEMENSCHLEIBE
03	01	19955747	SPINA ELASTICA	ROLL PIN	GOUPILLE ELAST.	STIFT
04	01	14681039	CINGHIA	BELT	COURROIE	RIEMEN
05	05	19953908	DADO	NUT	ECROU	MUTTER
06	02	15486022	PULEGGIA	PULLEY	POULIE	RIEMENSCHLEIBE
07	02	15485122	PERNO	PIN	AXE	BOLZEN
08	01	19952729	VITE	SCREW	VIS	SCHRAUBE
09	05	19955009	RONDELLA	WASHER	RONDELLE	SCHEIBE
10	01	15485114	LEVA	LEVER	LEVIER	HEBEL
11	01	15485132	PERNO	PIN	AXE	BOLZEN
12	01	15001054	MOLLA	SPRING	RESSORT	FEDER
13	01	15485141	PIASTRA	PLATE	PLAQUE	PLATTE
14	02	19952608	VITE	SCREW	VIS	SCHRAUBE
15	04	19955408	RONDELLA ELASTICA	SPRING WASHER	RONDELLE ELASTIQUE	FEDERSCHREIBE
16	02	19950101	VITE	SCREW	VIS	SCHRAUBE
17	04	19955052	RONDELLA	WASHER	RONDELLE	SCHEIBE
18	01	19954003	DADO	NUT	ECROU	MUTTER
19	01	19952611	VITE	SCREW	VIS	SCHRAUBE
20	01	15485115	LEVA	LEVER	LEVIER	HEBEL
21	01	19952664	VITE	SCREW	VIS	SCHRAUBE
22	01	15487001	MOLLA	SPRING	RESSORT	FEDER
23	01	15485020	PULEGGIA	PULLEY	POULIE	RIEMENSCHLEIBE
24	01	19956408	LINGUETTA	SPLINE	CLAVETTE	KEIL
25	01	19952512	VITE	SCREW	VIS	SCHRAUBE
26	01	15485021	PULEGGIA	PULLEY	POULIE	RIEMENSCHLEIBE
27	01	15485138	GUIDACINGHIA	BELT DRIVE	GUIDE-COURROIE	RIEMENFÜHRUNG
28	02	19950106	VITE	SCREW	VIS	SCHRAUBE
29	01	19956347	CHIAVETTA	SPLINE	CLAVETTE	KEIL
30	01	19952720	VITE	SCREW	VIS	SCHRAUBE
31	01	15485139	GUIDACINGHIA	BELT DRIVE	GUIDE-COURROIE	RIEMENFÜHRUNG



TAB. 04

TRASMISSIONE HONDA - SHAFTING HONDA
TRANSMISSION HONDA - TRANSMISSION HONDA


REF.	Q.	COD.	DESCRIZIONE	DESCRIPTION	DESCRIPTION	BENENNUNG
01	01	14681010K	CINGHIA	BELT	COURROIE	RIEMEN
02	01	15482004NT	PULEGGIA	PULLEY	POULIE	RIEMENSCHIEBE
03	01	19955747	SPINA ELESTICA	ROLL PIN	GOUPILLE ELAST.	STIFT
04	01	14681035K	CINGHIA	BELT	COURROIE	RIEMEN
05	05	19953908	DADO	NUT	ECROU	MUTTER
06	02	15486022	PULEGGIA	PULLEY	POULIE	RIEMENSCHIEBE
07	02	15485122	PERNO	PIN	AXE	BOLZEN
08	04	19955052	RONDELLA	WASHER	RONDELLE	SCHEIBE
09	01	19952729	VITE	SCREW	VIS	SCHRAUBE
10	03	19955009	RONDELLA	WASHER	RONDELLE	SCHEIBE
11	01	15485114	LEVA	LEVER	LEVIER	HEBEL
12	01	15485132	PERNO	PIN	AXE	BOLZEN
13	01	15001054	MOLLA	SPRING	RESSORT	FEDER
14	01	15485141	PIASTRA	PLATE	PLAQUE	PLATTE
15	02	19952608	VITE	SCREW	VIS	SCHRAUBE
16	02	19950101	VITE	SCREW	VIS	SCHRAUBE
17	03	19955408	RONDELLA	WASHER	RONDELLE	SCHEIBE
18	01	19954064	DADO	NUT	ECROU	MUTTER
19	02	19903302	CUSCINETTO	BEARING	ROULEMENT	LAGER
20	01	19955053	RONDELLA	WASHER	RONDELLE	SCHEIBE
21	01	19955630	ANELLO ELASTICO	LOCKRING	ARRETOIR	SICHERUNGSRING
22	01	15485110	PULEGGIA	PULLEY	POULIE	RIEMENSCHIEBE
23	01	19952131	VITE	SCREW	VIS	SCHRAUBE
24	01	19952664	VITE	SCREW	VIS	SCHRAUBE
25	01	15485115	LEVA	LEVER	LEVIER	HEBEL
26	01	15485111	PULEGGIA	PULLEY	POULIE	RIEMENSCHIEBE
27	01	15485120	PULEGGIA	PULLEY	POULIE	RIEMENSCHIEBE
28	01	19956347	CHIAVETTA	SPLINE	CLAVETTE	KEIL
29	01	19950106	VITE	SCREW	VIS	SCHRAUBE
30	01	15485137	PERNO	PIN	AXE	BOLZEN
31	01	14681029	CINGHIA	BELT	COURROIE	RIEMEN
32	01	19900593	CUSCINETTO	BEARING	ROULEMENT	LAGER
33	01	19955520	ANELLO ELASTICO	LOCKRING	ARRETOIR	SICHERUNGSRING
34	01	15485131	GUIDACINGHIA	BELT DRIVE	GUIDE-COURROIE	RIEMENFÜHRUNG
35	01	19950113	VITE	SCREW	VIS	SCHRAUBE
36	01	19952746	VITE	SCREW	VIS	SCHRAUBE
37	02	19954003	DADO	NUT	ECROU	MUTTER
38	01	19955008	RONDELLA	WASHER	RONDELLE	SCHEIBE
39	01	19956177	GOMMINO	RUBBER RING	CAOUTCHOUC	GUMMIRING



TAB. 05

GRUPPO FRESA - TILLER
FRAISE - FRÄSE



REF.	Q.	COD.	DESCRIZIONE	DESCRIPTION	DESCRIPTION	BENENNUNG
01	02	15485119	PARAFANGO	MUDGUARD	GARDE-BOUE	KOTSCHÜTZER
02	04	19951718	VITE	SCREW	VIS	SCHRAUBE
03	04	19953908	DADO	NUT	ECROU	MUTTER
04	—	19954045	DADO	NUT	ECROU	MUTTER
05	—	15485068	LAMA SX	BLADE L.	LAME G.	KLINGE L.
06	—	15485065	LAMA DX	BLADE R.	LAME D.	KLINGE R.
07	—	19952721	VITE	SCREW	VIS	SCHRAUBE
08	02	15485078	SUPPORTO CON LAME	SUPPORT WITH BLADES	SUPPORT AVEC LAMES	HALTERUNG MIT MESSEREN
09	02	15485079	SUPPORTO CON LAME	SUPPORT WITH BLADES	SUPPORT AVEC LAMES	HALTERUNG MIT MESSEREN
10	—	19952623	VITE	SCREW	VIS	SCHRAUBE
11	02	15485080	SUPPORTO CON LAME	SUPPORT WITH BLADES	SUPPORT AVEC LAMES	HALTERUNG MIT MESSEREN
12	02	15485069	DISCO	DISC	DISQUE	SCHEIBE
13	—	19954208	DADO	NUT	ECROU	MUTTER