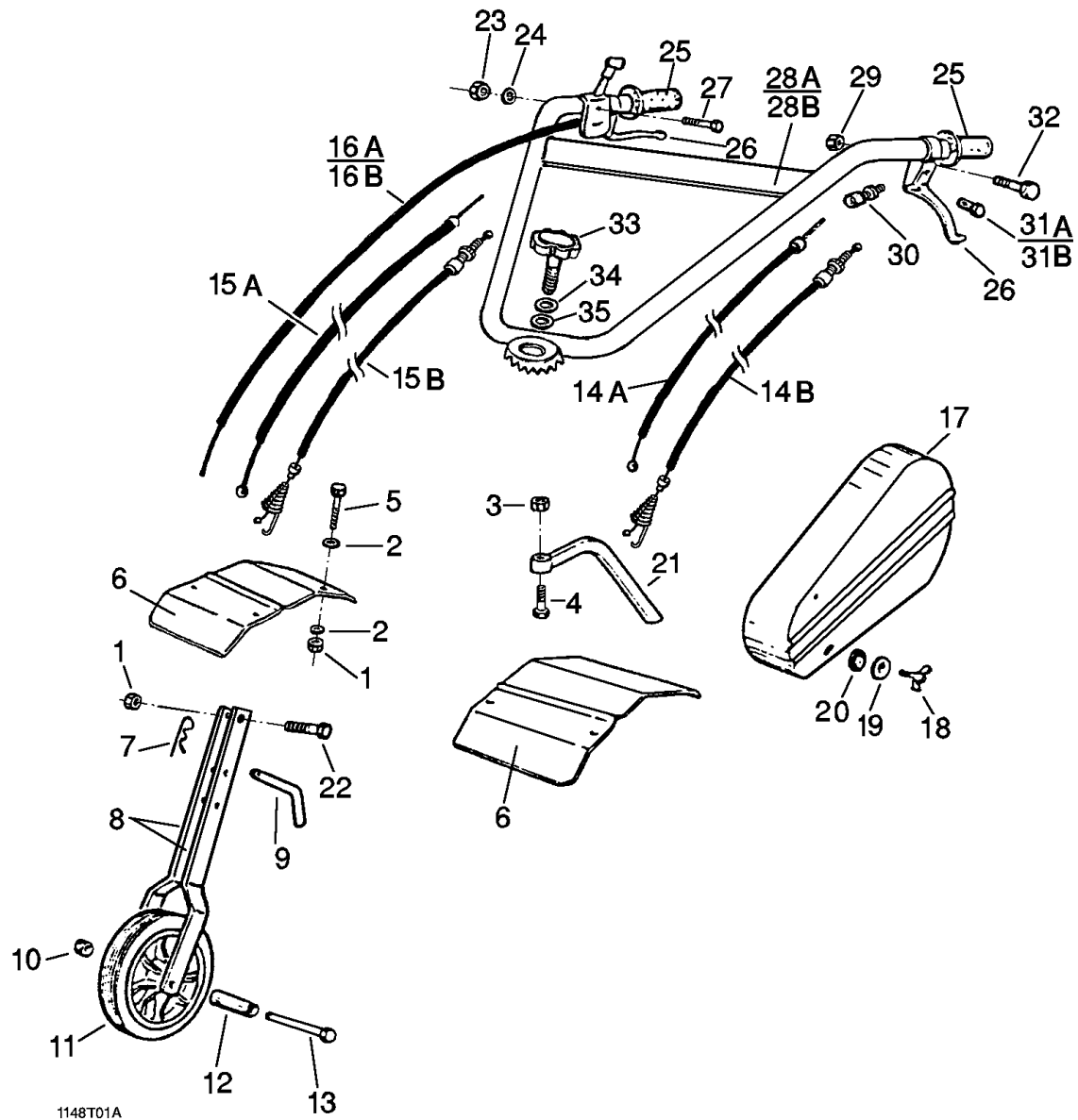


Mod. 1148. - 1149.  
ELENCO PARTI DI RICAMBIO  
*SPARE PARTS LIST*  
LISTE DES PIECES DE RECHANGE  
*ERSATZTEILLISTE*

Tab. 1	STEGOLE DI GUIDA - <i>HANDLEBARS</i> - MANCHERONS - <i>FÜHRUNGSHOLM</i> .....	Rev. 9407
Tab. 2	TRASMISSIONE - <i>SHAFTING</i> - TRANSMISSION- <i>TRANSMISSION</i> .....	Rev. 9505
Tab. 3	GRUPPO FRESA - <i>TILLER</i> - FRAISE - <i>FRÄSE</i> .....	Rev. 9407

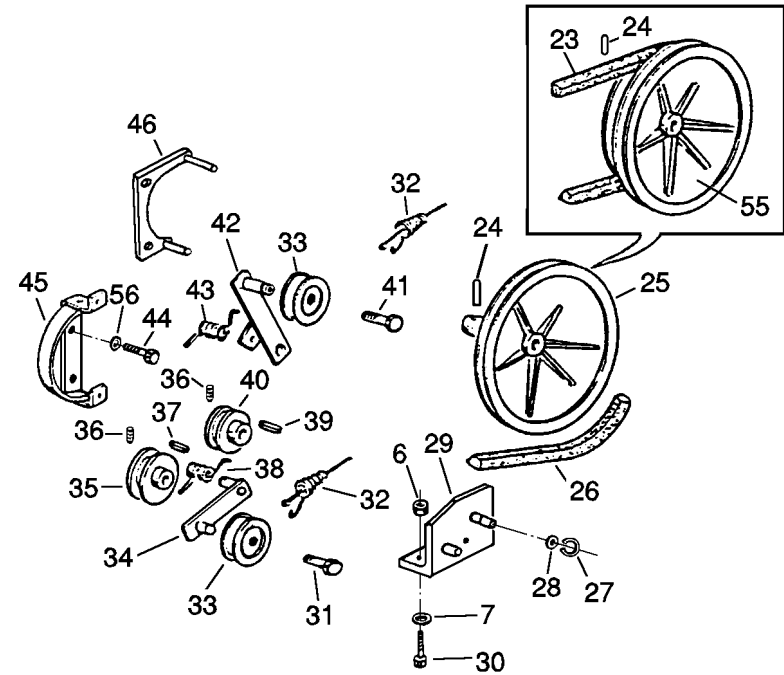
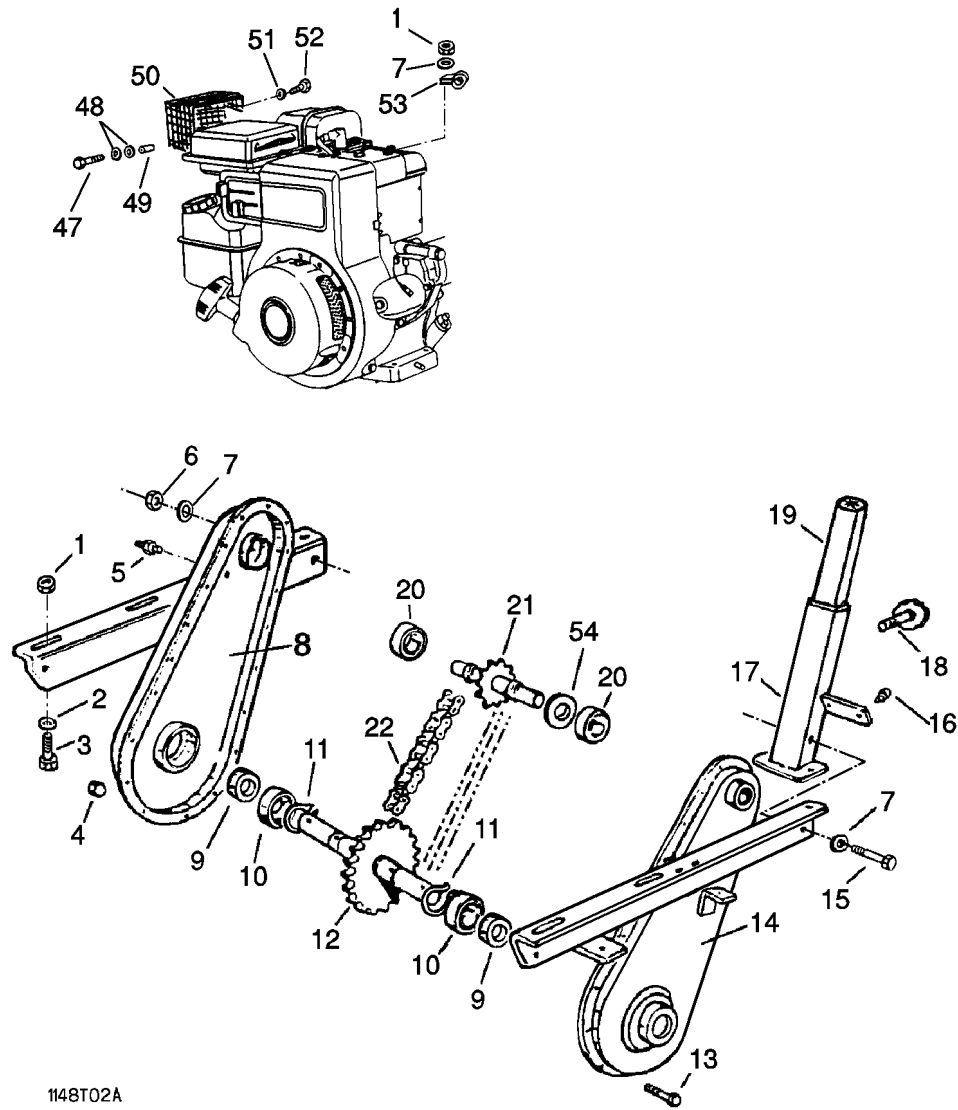
Tab. 1 – STEGOLE DI GUIDA – HANDLEBARS – MANCHERONS – FÜHRUNGSHOLM



**Tab. 1 – STEGOLE DI GUIDA – HANDLEBARS – MANCHERONS – FÜHRUNGSHOLM**

REF.	Q.	COD.	DESCRIZIONE	DESCRIPTION	DESCRIPTION	BENENNUNG
01	05	19954208	DADO	NUT	ECROU	MUTTER
02	08	19955052	RONDELLA	WASHER	RONDELLE	SCHEIBE
03	01	19954212	DADO	NUT	ECROU	MUTTER
04	01	19952661	VITE	SCREW	VIS	SCHRAUBE
05	04	19952729	VITE	SCREW	VIS	SCHRAUBE
06	02	15485024	PARAFANGO	MUDGUARD	GARDE-BOUE	KOTSCHÜTZER
07	01	15001081	SPINA A MOLLA	SPRING CLIP	GOUPILLE RAPIDE	VORSTECKER
08	01	15485017	SUPPORTO RUOTA	SUPPORT, WHEEL	SUPPORT ROUE	HALTERUNG RAD
09	01	15085023	SPINA	PIN	GOUPILLE	STIFT
10	01	19954210	DADO	NUT	ECROU	MUTTER
11	01	12320091	RUOTA	WHEEL	ROUE	RAD
12	01	15485019	BOCCOLA	BUSH	DOUILLE	BÜCHSE
13	01	19952663	VITE	SCREW	VIS	SCHRAUBE
14a	—	—	NON FORNIBILE	N/A	NON DISPONIBLE	NICHT VERFÜGBAR
14b	01	14660515	TRASMISSIONE COMPLETA	WIRE, ASS.Y	CABLE COMPLET	SEIL KOMPLETT
15a	—	—	NON FORNIBILE	N/A	NON DISPONIBLE	NICHT VERFÜGBAR
15b	01	14660517	TRASMISSIONE COMPLETA R.M.	WIRE, REVERSE SP.,ASS.Y	CABLE M.A. COMPLET	SEIL KOMPLETT
16a	01	14660205	ACCELERATORE (Tecnamot.)	THROTTLE (Tecnamot.)	MANETTE (Tecnamot.)	GASHEBEL (Tecnamot.)
16b	01	14660404	ACCELERATORE (B. & S.)	THROTTLE (Briggs & Strat.)	MANETTE (Briggs & Strat.)	GASHEBEL (Briggs & Strat.)
17	01	15485013	COPERTURA	COVER	COUVERCLE	DECKEL
18	03	19954550	VITE AD ALETTE	WING SCREW	VIS PAPILLON	FLÜGELSCHRAUBE
19	03	19955008	RONDELLA	WASHER	RONDELLE	SCHEIBE
20	03	19956177	GOMMINO	RUBBER	CAOUTCHOUC	GUMMI
21	01	15485012	SPERONE	SPUR	EPERON	SPORN
22	01	19952623	VITE	SCREW	VIS	SCHRAUBE
23	01	19954206	DADO	NUT	ECROU	MUTTER
24	01	19955051	RONDELLA	WASHER	RONDELLE	SCHEIBE
25	02	14680363	MANOPOLA	GRIP	POIGNEE	GRIFF
26	01	14660221	LEVA (Mod. 1148)	LEVER (Mod. 1148)	LEVIER (Mod. 1148)	HEBEL (Mod. 1148)
26	02	14660221	LEVA (Mod. 1149)	LEVER (Mod. 1149)	LEVIER (Mod. 1149)	HEBEL (Mod. 1149)
27	01	19952616	VITE	SCREW	VIS	SCHRAUBE
28a	01	15485049	STEGOLE (Mod. 1148)	HANDLEBARS (Mod. 1148)	MANCHERONS (Mod. 1148)	FÜHRUNGSHOLM (Mod. 1148)
28b	01	15485050	STEGOLE (Mod. 1149)	HANDLEBARS (Mod. 1149)	MANCHERONS (Mod. 1149)	FÜHRUNGSHOLM (Mod. 1148)
29	02	19954253	DADO	NUT	ECROU	MUTTER
30	01	14660260	VITE REGISTRO (Mod. 1148)	SCREW, ADJUST. (Mod. 1148)	VIS DE REGLAGE (Mod. 1148)	STELLSCHRAUBE (Mod. 1148)
30	02	14660260	VITE REGISTRO (Mod. 1149)	SCREW, ADJUST. (Mod. 1149)	VIS DE REGLAGE (Mod. 1149)	STELLSCHRAUBE (Mod. 1149)
31a	02	14660229	BARILOTTO (Per rif. 14b-15b)	BUSHING (For ref. 14b-15b)	BARILLET (Pour ref. 14b-15b)	ZYLINDER (Für ber. 14b-15b)
31b	02	14660241	SERRAFILO (Per rif. 14a-15b)	CLAMP (For ref. 14b-15b)	SERRE-CABLE (Pour ref. 14b-15b)	SEILKLEMME (Für ber. 14b-15b)
32	01	14660235	VITE (Mod. 1148)	SCREW (Mod. 1148)	VIS (Mod. 1148)	SCHRAUBE (Mod. 1148)
32	02	14660235	VITE (Mod. 1149)	SCREW (Mod. 1149)	VIS (Mod. 1149)	SCHRAUBE (Mod. 1149)
33	01	14660188	POMELLO	KNOB	BOUTON	KNEBELGRIFF
34	01	19955414	DISCO	DISC	DISQUE	SCHEIBE
35	01	15485041	RONDELLA (da matr. 304992)	WASHER (since s/n 304992)	RONDELLE (des matr. 304992)	SCHEIBE (bei zu mat. 304992)

Tab. 2 – TRASMISSIONE – *SHAFTING* – TRANSMISSION – TRANSMISSION



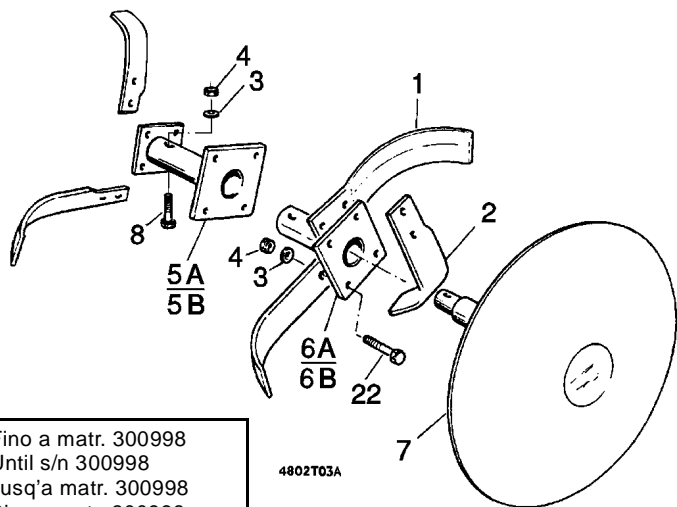
**Tab. 2 – TRASMISSIONE – SHAFTING – TRANSMISSION – TRANSMISSION**

REF.	Q.	COD.	DESCRIZIONE	DESCRIPTION	DESCRIPTION	BENENNUNG
01	04	19954208	DADO	NUT	ECROU	MUTTER
01	05	19954208	DADO (Briggs & Stratt.)	NUT (Briggs & Stratt.)	ECROU (Briggs & Stratt.)	MUTTER (Briggs & Stratt.)
02	04	19955009	RONDELLA	WASHER	RONDELLE	SCHEIBE
03	04	19952612	VITE	SCREW	VIS	SCHRAUBE
04	18	19954205	DADO	NUT	ECROU	MUTTER
05	01	19956203	INGRASSATORE	GREASE NIPPLE	GRAISSEUR	SCHMIERNIPPLE
06	04	19954254	DADO	NUT	ECROU	MUTTER
07	06	19955052	RONDELLA	WASHER	RONDELLE	SCHEIBE
07	07	19955052	RONDELLA (Briggs & Stratt.)	WASHER (Briggs & Stratt.)	RONDELLE (Briggs & Stratt.)	SCHEIBE (Briggs & Stratt.)
08	01	15485009	COPERTURA DX	COVER R.H.	COUVERCLE DR.	HAUBE R.
09	02	15485010	ANELLO DI TENUTA	SEAL	JOINT D'ETANCHEITE	DICHTRING
10	02	19900332	CUSCINETTO	BEARING	ROULEMENT	LAGER
11	02	19955529	ANELLO ELASTICO	LOCKRING	ARRETOIR	SICHERUNGSRING
12	01	15485006	ALBERO	SHAFT	ARBRE	WELLE
13	18	19952106	VITE	SCREW	VIS	SCHRAUBE
14	01	15485008	COPERTURA SX	COVER, L.H.	COUVERCLE G.	HAUBE L.
15	02	19952623	VITE	SCREW	VIS	SCHRAUBE
16	02	14660250	BUSSOLA	BUSH	DOUILLE	BÜCHSE
17	01	15485055	SUPPORTO	SUPPORT	SUPPORT	HALTERUNG
18	01	14660189	POMELLO	KNOB	BOUTON	KNEBELGRIFF
19	01	15485056	PIANTONE STERZO	STEERING COLUMN	TUBE DE DIRECTION	STERZ
20	02	19900217	CUSCINETTO	BEARING	ROULEMENT	LAGER
21	01	15484002	PIGNONE	SPROCKET	PIGNON	RITZEL
22	01	14650730	CATENA	CHAIN	CHAINE	KETTE
23	01	14681008	CINGHIA (Mod. 1149.)	BELT (Mod. 1149.)	COURROIE (Mod. 1149.)	RIEMEN (Mod. 1149.)
24	01	19955747	SPINA ELASTICA	ROLL PIN	GOUPILLE ELAST.	STIFT
25	01	15482003	PULEGGIA (Mod. 1148.)	PULLEY (Mod. 1148.)	POULIE (Mod. 1148.)	RIEMENSCHLEIBE (Mod. 1148.)
26	01	14681009	CINGHIA (Mod. 1148.)	BELT (Mod. 1148.)	COURROIE (Mod. 1148.)	RIEMEN (Mod. 1148.)
27	02	19955512	ANELLO ELASTICO	LOCKRING	ARRETOIR	SICHERUNGSRING
28	02	19956010	SPESSORE	SHIM	CALE D'EPAISSEUR	DISTANZSCHEIBE
29	01	15485051	SUPPORTO	SUPPORT	SUPPORT	HALTERUNG
30	02	19952721	VITE	SCREW	VIS	SCHRAUBE
31	01	19952731	VITE	SCREW	VIS	SCHRAUBE
32	01	15001059	MOLLA (Mod. 1148.)	SPRING (Mod. 1148.)	RESSORT (Mod. 1148.)	FEDER (Mod. 1148.)
32	02	15001059	MOLLA (Mod. 1149.)	SPRING (Mod. 1149.)	RESSORT (Mod. 1149.)	FEDER (Mod. 1149.)
33	01	15486022	PULEGGIA (Mod. 1148.)	PULLEY (Mod. 1148.)	POULIE (Mod. 1148.)	RIEMENSCHLEIBE (Mod. 1148.)
33	02	15486022	PULEGGIA (Mod. 1149.)	PULLEY (Mod. 1149.)	POULIE (Mod. 1149.)	RIEMENSCHLEIBE (Mod. 1149.)
34	01	15485052	SUPPORTO	SUPPORT	SUPPORT	HALTERUNG
35	01	15485020	PULEGGIA	PULLEY	POULIE	RIEMENSCHLEIBE
36	02	19952508	VITE (Mod. 1148.)	DOWEL (Mod. 1148.)	ERGOT (Mod. 1148.)	PASSTIFT (Mod. 1148.)
36	04	19952508	VITE (Mod. 1149.)	DOWEL (Mod. 1149.)	ERGOT (Mod. 1149.)	PASSTIFT (Mod. 1149.)
37	01	19956347	LINGUETTA	SPLINE	CLAVETTE	KEIL
38	01	15001057	MOLLA	SPRING	RESSORT	FEDER
39	01	19956408	LINGUETTA (Mod. 1149.)	SPLINE (Mod. 1149.)	CLAVETTE (Mod. 1149.)	KEIL (Mod. 1149.)

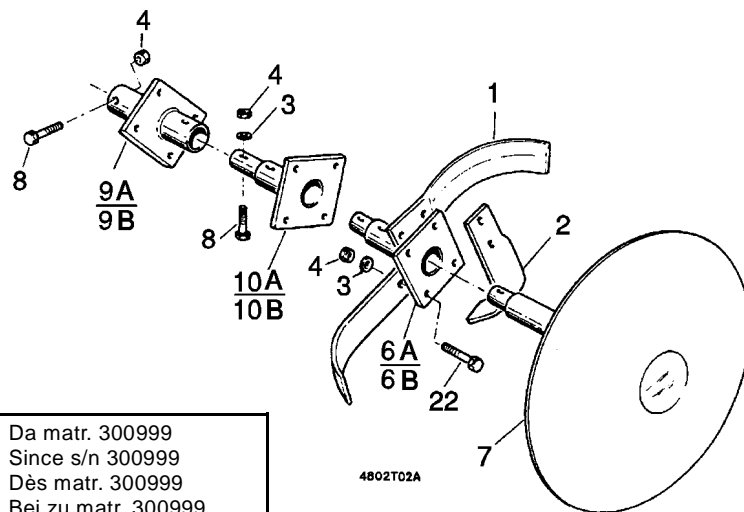
**Tab. 2 – TRASMISSIONE – SHAFTING – TRANSMISSION – TRANSMISSION**

REF.	Q.	COD.	DESCRIZIONE	DESCRIPTION	DESCRIPTION	BENENNUNG
40	01	15485021	PULEGGIA (Mod. 1149.)	PULLEY (Mod. 1149.)	POULIE (Mod. 1149.)	RIEMENSCHIEBE (Mod. 1149.)
41	02	19952723	VITE (Mod. 1149.)	SCREW (Mod. 1149.)	VIS (Mod. 1149.)	SCHRAUBE (Mod. 1149.)
42	01	15485053	SUPPORTO (Mod. 1149.)	SUPPORT (Mod. 1149.)	SUPPORT (Mod. 1149.)	HALTERUNG (Mod. 1149.)
43	01	15001054	MOLLA (Mod. 1149.)	SPRING (Mod. 1149.)	RESSORT (Mod. 1149.)	FEDER (Mod. 1149.)
44	02	19950101	VITE	SCREW	VIS	SCHRAUBE
45	01	15485011	SUPPORTO	SUPPORT	SUPPORT	HALTERUNG
46	01	15485054	GUIDA CINGHIA (Mod. 1149.)	BELT DRIVE (Mod. 1149.)	GUIDE-COURROIE (Mod. 1149.)	RIEMENFÜHRUNG (Mod. 1149.)
47	01	19953105	VITE (Briggs & Strat.)	SCREW (Briggs & Strat.)	VIS (Briggs & Strat.)	SCHRAUBE (Briggs & Strat.)
48	02	19955015	RONDELLA (Briggs & Strat.)	WASHER (Briggs & Strat.)	RONDELLE (Briggs & Strat.)	SCHEIBE (Briggs & Strat.)
49	01	15485018	DISTANZIALE (B. & S.)	SPACER (Briggs & Strat.)	ENTRETOISE (Briggs & Strat.)	DISTANZSTÜCK (B. & S.)
50	01	14610218	PROTEZIONE (B. & S.)	GUARD (Briggs & Strat.)	CAPOT (Briggs & Strat.)	SCHTZ (Briggs & Strat.)
51	01	19955273	RONDELLA (Briggs & Strat.)	WASHER (Briggs & Strat.)	RONDELLE (Briggs & Strat.)	SCHEIBE (Briggs & Strat.)
52	01	19952709	VITE (Briggs & Strat.)	SCREW (Briggs & Strat.)	VIS (Briggs & Strat.)	SCHRAUBE (Briggs & Strat.)
53	01	14680803	SERRAFILO (Briggs & Strat.)	CLAMP (Briggs & Strat.)	SERRE-CABLE (B. & S.)	HALTERBAND (Briggs & Strat.)
54	03	19956020	SPESSORE	SHIM	CALE D'EPaisseur	DISTANZSCHEIBE
55	01	15482004	PULEGGIA A 2 GOLE (Mod. 1149.)	PULLEY, 2 RACES (Mod. 1149.)	POULIE 2 CANNEL. (Mod. 1149.)	RIEMENSCH. 2 NUTEN (Mod. 1149.)
56	02	19955273	RONDELLA	WASHER	RONDELLE	SCHEIBE

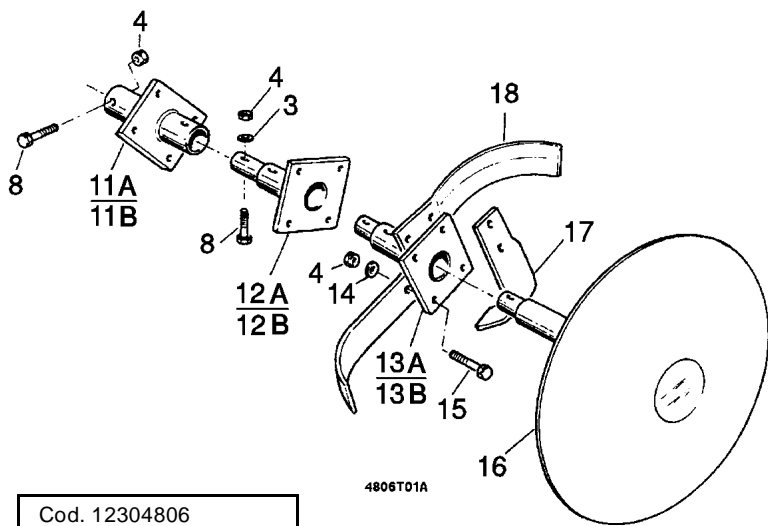
Tab. 3 – GRUPPO FRESA - TILLER - FRAISE - FRÄSE



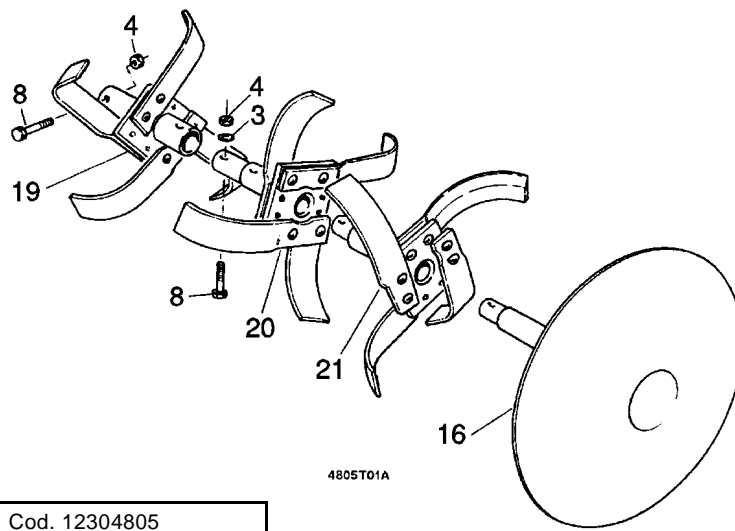
Fino a matr. 300998  
 Until s/n 300998  
 Jusq'a matr. 300998  
 Bis zu matr. 300998



Da matr. 300999  
 Since s/n 300999  
 Dès matr. 300999  
 Bei zu matr. 300999



Cod. 12304806



Cod. 12304805

**Tab. 3 – GRUPPO FRESA - TILLER - FRAISE - FRÄSE**

REF.	Q.	COD.	DESCRIZIONE	DESCRIPTION	DESCRIPTION	BENENNUNG
01	08	15455017	LAMA SX	BLADE L.	LAME G.	KLINGE L.
02	08	15455019	LAMA DX	BLADE R.	LAME D.	KLINGE R.
03	18	19955273	RONDELLA	WASHER	RONDELLE	SCHEIBE
04	14	19954045	DADO	NUT	ECROU	MUTTER
05a	02	15485042	SUPPORTO S/ LAME	SUPPORT W/OUT BLADES	SUPPORT SANS LAMES	HALTERUNG OHNE MESSEREN
05b	02	15485045	SUPPORTO CON LAME	SUPPORT WITH BLADES	SUPPORT AVEC LAMES	HALTERUNG MIT MESSEREN
06a	02	15485043	SUPPORTO S/ LAME	SUPPORT W/OUT BLADES	SUPPORT SANS LAMES	HALTERUNG OHNE MESSEREN
06b	02	15485044	SUPPORTO CON LAME	SUPPORT WITH BLADES	SUPPORT AVEC LAMES	HALTERUNG MIT MESSEREN
07	02	15485038	DISCO	DISC	DISQUE	SCHEIBE
08	02	19952617	VITE	SCREW	VIS	SCHRAUBE
09a	02	15485063	SUPPORTO S/LAME	SUPPORT W/OUT BLADES	SUPPORT SANS LAMES	HALTERUNG OHNE MESSEREN
09b	02	15485066	SUPPORTO CON LAME (specificare se DX o SX)	SUPPORT WITH BLADES (specify if Left or Right)	SUPPORT AVEC LAMES (specifier si Droite ou Gauche)	HALTERUNG MIT MESSEREN (angeben ob Rechts oder Links)
10a	02	15485064	SUPPORTO S/LAME	SUPPORT W/OUT BLADES	SUPPORT SANS LAMES	HALTERUNG OHNE MESSEREN
10b	02	15485067	SUPPORTO CON LAME (specificare se DX o SX)	SUPPORT WITH BLADES (specify if Left or Right)	SUPPORT AVEC LAMES (specifier si Droite ou Gauche)	HALTERUNG MIT MESSEREN (angeben ob Rechts oder Links)
11a	02	15485075	SUPPORTO S/LAME	SUPPORT W/OUT BLADES	SUPPORT SANS LAMES	HALTERUNG OHNE MESSEREN
11b	02	15485078	SUPPORTO CON LAME (specificare se DX o SX)	SUPPORT WITH BLADES (specify if Left or Right)	SUPPORT AVEC LAMES (specifier si Droite ou Gauche)	HALTERUNG MIT MESSEREN (angeben ob Rechts oder Links)
12a	02	15485076	SUPPORTO S/LAME	SUPPORT W/OUT BLADES	SUPPORT SANS LAMES	HALTERUNG OHNE MESSEREN
12b	02	15485079	SUPPORTO CON LAME (specificare se DX o SX)	SUPPORT WITH BLADES (specify if Left or Right)	SUPPORT AVEC LAMES (specifier si Droite ou Gauche)	HALTERUNG MIT MESSEREN (angeben ob Rechts oder Links)
13a	02	15485077	SUPPORTO S/LAME	SUPPORT W/OUT BLADES	SUPPORT SANS LAMES	HALTERUNG OHNE MESSEREN
13b	02	15485080	SUPPORTO CON LAME (specificare se DX o SX)	SUPPORT WITH BLADES (specify if Left or Right)	SUPPORT AVEC LAMES (specifier si Droite ou Gauche)	HALTERUNG MIT MESSEREN (angeben ob Rechts oder Links)
14	24	19955308	RONDELLA	WASHER	RONDELLE	SCHEIBE
15	24	19952603	VITE	SCREW	VIS	SCHRAUBE
16	02	15485069	DISCO	DISC	DISQUE	SCHEIBE
17	12	15485065	LAMA DX	BLADE R.	LAME D.	KLINGE R.
18	12	15485068	LAMA SX	BLADE L.	LAME G.	KLINGE L.
19	02	15485081	SUPP. RIVETTATO CON LAME (specificare se DX o SX)	SUPPORT WITH BLADES (specify if Left or Right)	SUPPORT AVEC LAMES (specifier si Droite ou Gauche)	HALTERUNG MIT MESSEREN (angeben ob Rechts oder Links)
20	02	15485082	SUPP. RIVETTATO CON LAME (specificare se DX o SX)	SUPPORT WITH BLADES (specify if Left or Right)	SUPPORT AVEC LAMES (specifier si Droite ou Gauche)	HALTERUNG MIT MESSEREN (angeben ob Rechts oder Links)
21	02	15485083	SUPP. RIVETTATO CON LAME (specificare se DX o SX)	SUPPORT WITH BLADES (specify if Left or Right)	SUPPORT AVEC LAMES (specifier si Droite ou Gauche)	HALTERUNG MIT MESSEREN (angeben ob Rechts oder Links)
22	16	19952729	VITE	SCREW	VIS	SCHRAUBE