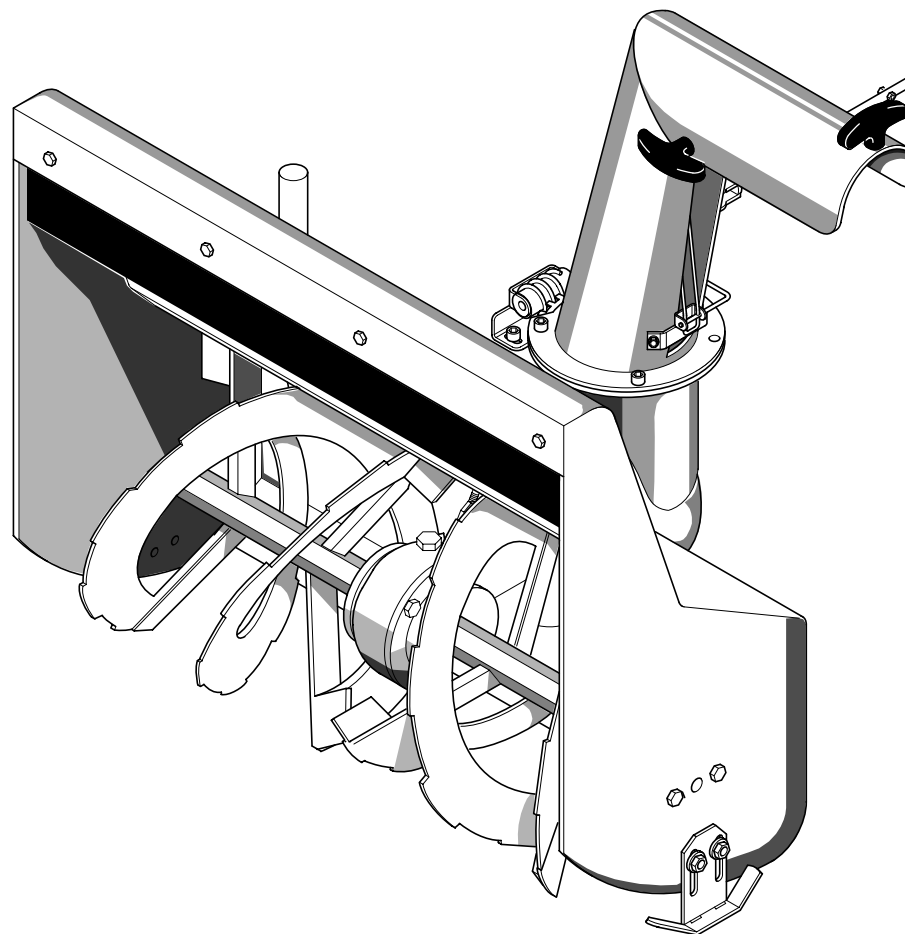


Mod. 12180100 cm 50

Mod. 12180101 cm 60

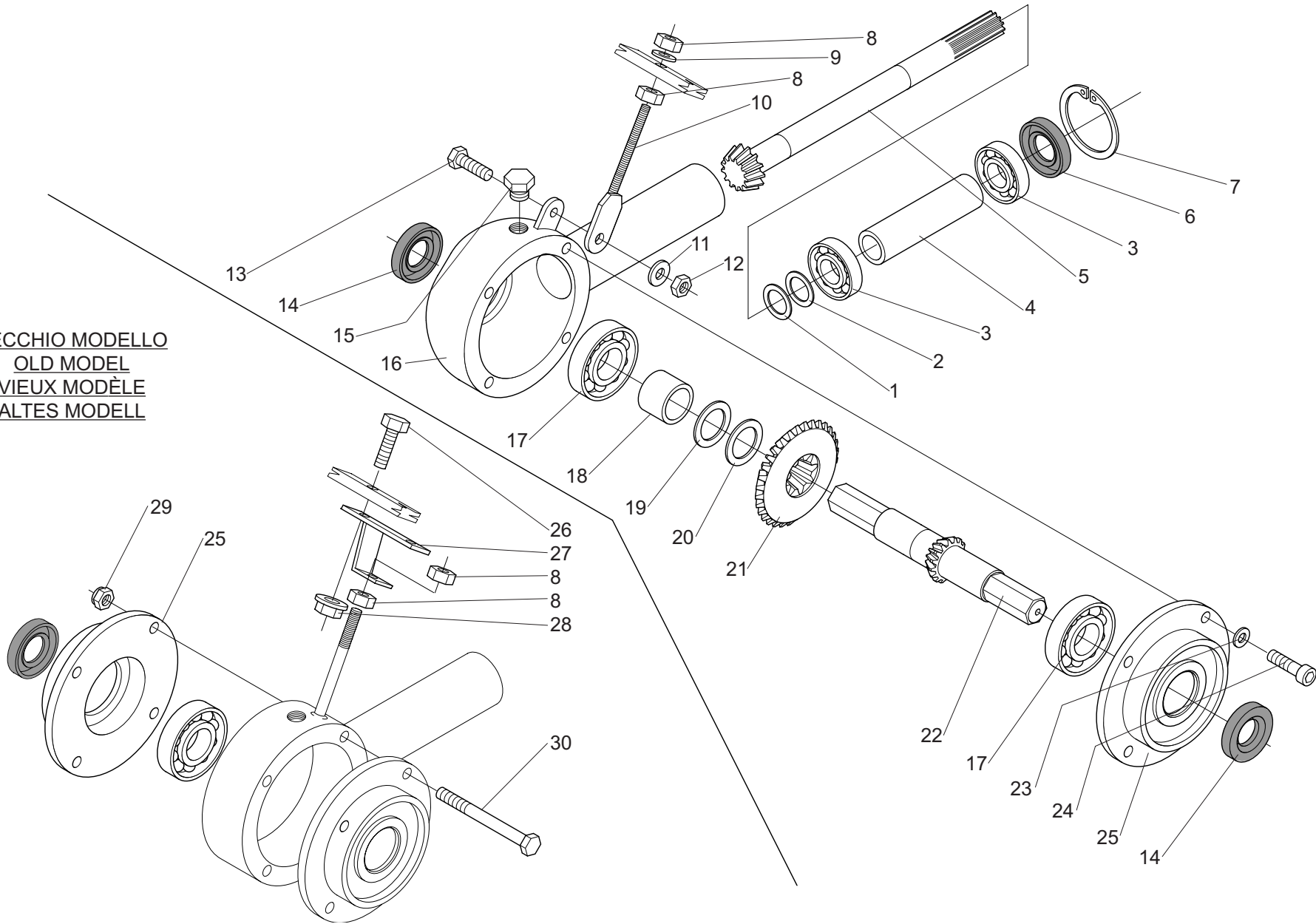
Mod. 12180104 cm 70



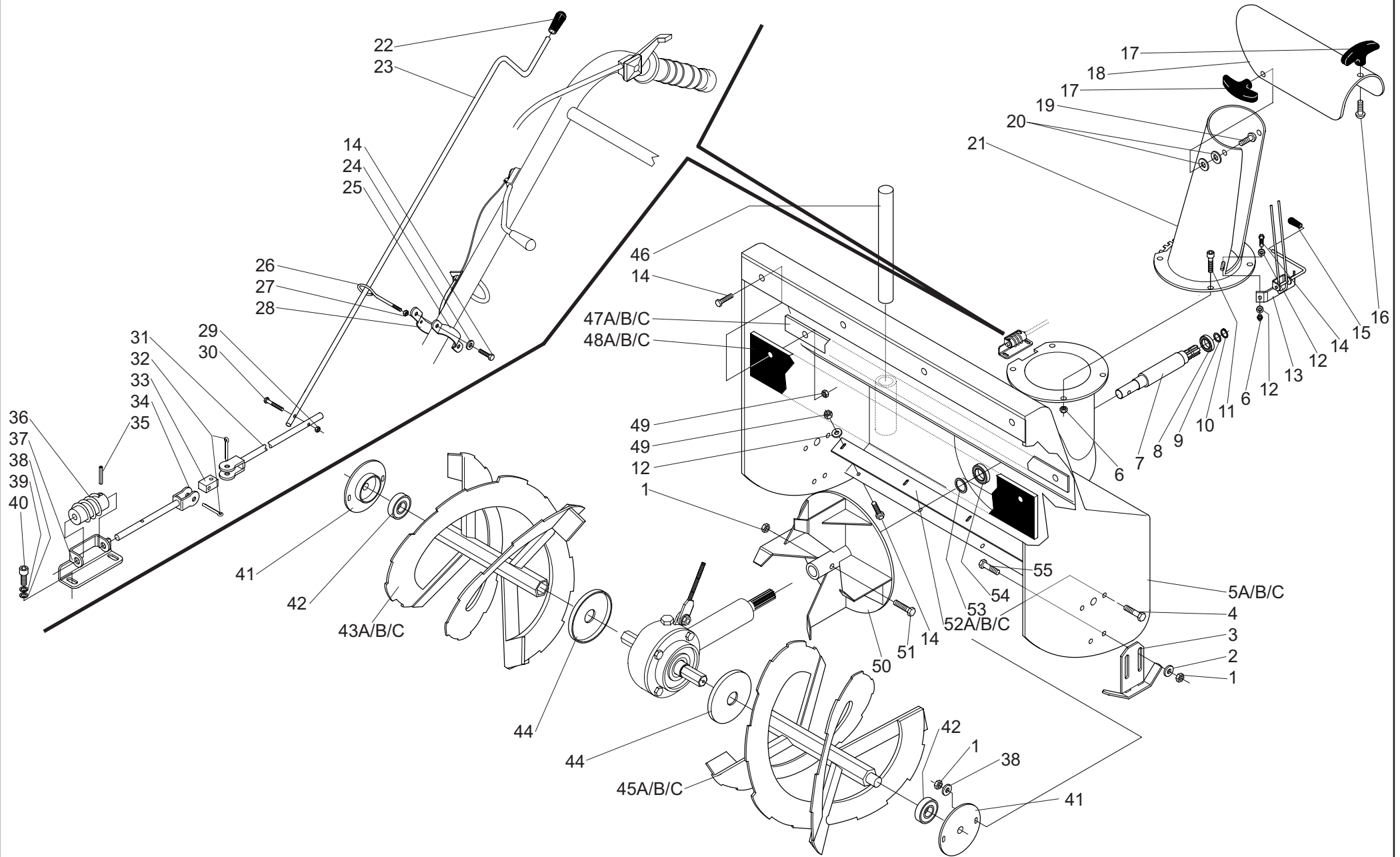
PARTI DI RICAMBIO
SPARE PARTS
PIECES DE RECHANGE
ERSATZTEILLISTE

Tav.	1	Trasmissione	Shafting	Transmission	Transmission
Tav.	2	Carrozzeria	Fairing	Carenage	Karosserie

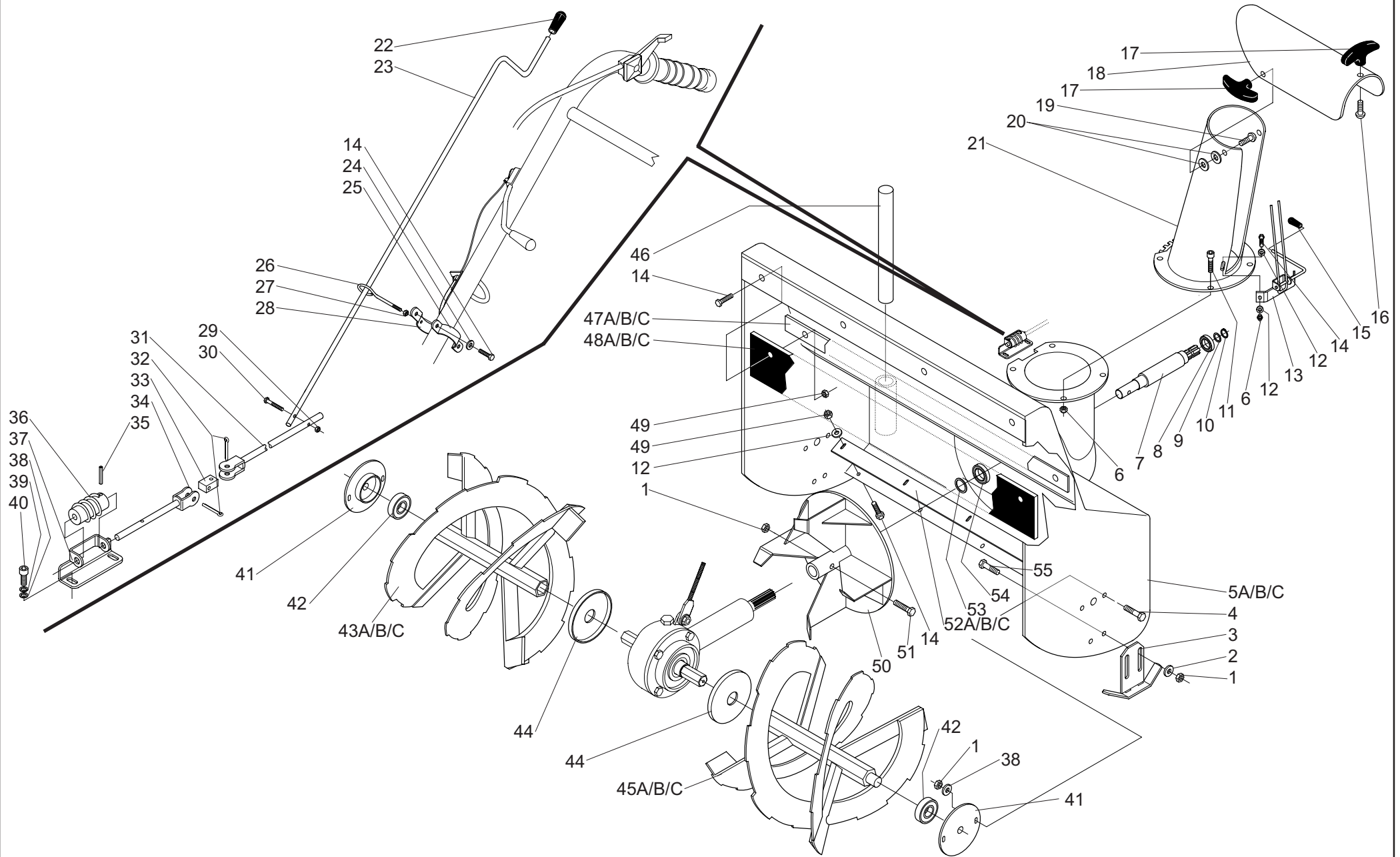
VECCHIO MODELLO
OLD MODEL
VIEUX MODÈLE
ALTES MODELL



TAB. 01		TRASMISSIONE - SHAFTING TRANSMISSION - TRANSMISSION				
REF.	Q.	COD.	DESCRIZIONE	DESCRIPTION	DESCRIPTION	BENENNUNG
01	01	19956020	SPESSORE	SHIM	CALE D'EPAISSEUR	DISTANZSCHEIBE
02	01	19956036	SPESSORE	SHIM	CALE D'EPAISSEUR	DISTANZSCHEIBE
03	02	19903326	CUSCINETTO	BEARING	ROULEMENT	LAGER
04	01	15185020	DISTANZIALE	SPACER	ENTRETOISE	DISTANZSTÜCK
05	01	15184012	PIGNONE	PINION	PIGNON	RITZEL
06	01	19922093	ANELLO DI TENUTA	SEALRING	BAGUE D'ETANCHEITÉ	DICHTRING
07	01	19955640	ANELLO ELASTICO	LOCKRING	ARRETOIR	SICHERUNGSRING
08	02	19954047	DADO	NUT	ECROU	MUTTER
09	01	19955012	RONDELLA	WASHER	RONDELLE	SCHEIBE
10	01	15185045	SUPPORTO	SUPPORT	SUPPORT	HALTERUNG
11	01	19955274	RONDELLA ELASTICA	SPRING WASHER	RONDELLE ELASTIQUE	FEDERSCHEIBE
12	01	19954046	DADO	NUT	ECROU	MUTTER
13	01	19952738	VITE	SCREW	VIS	SCHRAUBE
14	02	19921021	ANELLO DI TENUTA	SEALRING	BAGUE D'ETANCHEITÉ	DICHTRING
15	01	15005013	TAPPO	PLUG	BOUCHON	STOPFEN
16	01	15185033	CARTER	CASE	CARTER	GEHÄUSE
17	02	19903316	CUSCINETTO	BEARING	ROULEMENT	LAGER
18	01	15185021	DISTANZIALE	SPACER	ENTRETOISE	DISTANZSTÜCK
19	01	19956038	SPESSORE	SHIM	CALE D'EPAISSEUR	DISTANZSCHEIBE
20	01	19956039	SPESSORE	SHIM	CALE D'EPAISSEUR	DISTANZSCHEIBE
21	01	15184010	CORONA CONICA	RING GEAR	COURONNE DENTEE	ZAHNKRANZ
22	01	15184011	ALBERO	SHAFT	ARBRE	WELLE
23	04	19955308	RONDELLA	WASHER	RONDELLE	SCHEIBE
24	04	19952123	VITE	SCREW	VIS	SCHRAUBE
25	01	15185013	COPERCHIO	COVER	COUVERCLE	DECKEL
26	02	19951718	VITE	SCREW	VIS	SCHRAUBE
27	01	15185005	SUPPORTO (VECCHIO MOD.)	SUPPORT (OLD MODEL)	SUPPORT (VIEUX MODÈLE)	HALTERUNG (ALTES MODELL)
28	02	19953908	DADO	NUT	ECROU	MUTTER
29	04	19954208	DADO	NUT	ECROU	MUTTER
30	04	19952659	VITE	SCREW	VIS	SCHRAUBE



TAB. 02		CARROZZERIA - FAIRING CARENAGE - KAROSSERIE				
REF.	Q.	COD.	DESCRIZIONE	DESCRIPTION	DESCRIPTION	BENENNUNG
01	09	19954254	DADO	NUT	ECROU	MUTTER
02	04	19955009	RONDELLA	WASHER	RONDELLE	SCHEIBE
03	02	15185027	SLITTA	SKID	SEMELLE	SCHLITTEN
04	04	19952715	VITE	SCREW	VIS	SCHRAUBE
05A	01	15185040	CARTER (cm50)	GEARBOX (cm50)	CARTER (cm50)	GEHÄUSE (cm50)
05B	01	15185002	CARTER (cm60)	GEARBOX (cm60)	CARTER (cm60)	GEHÄUSE (cm60)
05C	01	15185008	CARTER (cm70)	GEARBOX (cm70)	CARTER (cm70)	GEHÄUSE (cm70)
06	06	19954206	DADO	NUT	ECROU	MUTTER
07	01	15185015	ALBERO	SHAFT	ARBRE	WELLE
08	01	19903222	CUSCINETTO	BEARING	ROULEMENT	LAGER
09	01	19956029	SPESSORE ACC.	SHIM	CALE D'EPaisseur	DISTANZSCHEIBE
10	01	19955520	ANELLO ELASTICO	LOCKRING	ARRETOIR	SICHERUNGSRING
11	04	19952113	VITE	SCREW	VIS	SCHRAUBE
12	08	19955007	RONDELLA	WASHER	RONDELLE	SCHEIBE
13	01	15185018	PROTEZIONE	GUARD	PROTECTION	SCHUTZ
14	12	19952720	VITE	SCREW	VIS	SCHRAUBE
15	01	14660180	POMELLO	KNOB	BOUTON	KNEBELGRIFF
16	01	19952011	VITE	SCREW	VIS	SCHRAUBE
17	03	14660196	POMELLO	KNOB	BOUTON	KNEBELGRIFF
18	01	15185024	BRANDEGGIO	SWIVEL	GOULOTTE ORIENTABLE	SCHWENKBARE
19	02	19951808	VITE	SCREW	VIS	SCHRAUBE
20	04	19955053	RONDELLA	WASHER	RONDELLE	SCHEIBE
21	01	15185001	CONVOGLIATORE	CONVEYOR	CONVOYEUR	AUSLADUNG
22	01	14660181	POMELLO	KNOB	BOUTON	KNEBELGRIFF
23	01	15185030	MANOVELLA	CRANK	MANIVELLE	KURBEL
24	02	19955272	RONDELLA ELASTICA	SPRING WASHER	RONDELLE ELASTIQUE	FEDERSCHREIBE
25	01	15185039	SUPPORTO	SUPPORT	SUPPORT	HALTERUNG
26	01	15185037	SUPPORTO	SUPPORT	SUPPORT	HALTERUNG
27	01	19954045	DADO	NUT	ECROU	MUTTER
28	01	15185038	SUPPORTO	SUPPORT	SUPPORT	HALTERUNG
29	01	19954205	DADO	NUT	ECROU	MUTTER
30	01	19952727	VITE	SCREW	VIS	SCHRAUBE
31	01	15185029	ASTA	ROD	TIGE	STANGE
32	02	19957129	COPIGLIA	COTTER PIN	GOUPILLE FENDUE	SPLINT
33	01	15185028	SNODO	JOINT	JOINT	GELENK
34	01	15185034	ASTA	ROD	TIGE	STANGE
35	01	19955834	SPINA ELASTICA	ROLL PIN	GOUPILLE ELAST.	STIFT
36	01	15184031	VITE SENZA FINE	WORM SCREW	VIS SANS-FIN	
37	01	15185032	SUPPORTO	SUPPORT	SUPPORT	HALTERUNG



TAB. 02		CARROZZERIA - FAIRING CARENAGE - KAROSSERIE				
REF.	Q.	COD.	DESCRIZIONE	DESCRIPTION	DESCRIPTION	BENENNUNG
38	06	19955052	RONDELLA	WASHER	RONDELLE	SCHEIBE
39	02	19955273	RONDELLA ELASTICA	SPRING WASHER	RONDELLE ELASTIQUE	FEDERSCHREIBE
40	02	19952114	VITE	SCREW	VIS	SCHRAUBE
41	02	15185006	SUPPORTO	SUPPORT	SUPPORT	HALTERUNG
42	02	19903317	CUSCINETTO	BEARING	ROULEMENT	LAGER
43A	01	15185042	COCLEA (DX cm.50)	VOLUTE (R.H. cm.50)	COCHLÉE (D. cm.50)	SCHNECKE (R. cm.50)
43B	01	15185003	COCLEA (DX cm.60)	VOLUTE (R.H. cm.60)	COCHLÉE (D. cm.60)	SCHNECKE (R. cm.60)
43C	01	15185011	COCLEA (DX cm.70)	VOLUTE (R.H. cm.70)	COCHLÉE (D. cm.70)	SCHNECKE (R. cm.70)
44	02	15185009	PARAPOLVERE	DUST PROTECTION	PARAPOUSSIÈRE	STAUBSCHUTZ
45A	01	15185041	COCLEA (SX cm.50)	VOLUTE (L.H. cm.50)	COCHLÉE (G. cm.50)	SCHNECKE (L. cm.50)
45B	01	15185004	COCLEA (SX cm.60)	VOLUTE (L.H. cm.60)	COCHLÉE (G. cm.60)	SCHNECKE (L. cm.60)
45C	01	15185010	COCLEA (SX cm.70)	VOLUTE (L.H. cm.70)	COCHLÉE (G. cm.70)	SCHNECKE (L. cm.70)
46	01	12500911	MANICO	STICK	BAGUETTE	BENGEL
47A	01	15185043	RIGA (cm.50)	ROD (cm.50)	TIGE (cm.50)	STANGE (cm.50)
47B	01	15185007	RIGA (cm.60)	ROD (cm.60)	TIGE (cm.60)	STANGE (cm.60)
47C	01	15185012	RIGA (cm.70)	ROD (cm.70)	TIGE (cm.70)	STANGE (cm.70)
48A	01	15186007	PROTEZIONE (cm.50)	GUARD (cm.50)	PROTECTION (cm.50)	SCHUTZ (cm.50)
48B	01	15186008	PROTEZIONE (cm.60)	GUARD (cm.60)	PROTECTION (cm.60)	SCHUTZ (cm.60)
48C	01	15186009	PROTEZIONE (cm.70)	GUARD (cm.70)	PROTECTION (cm.70)	SCHUTZ (cm.70)
49	08	19954253	DADO	NUT	ECROU	MUTTER
50	01	15185019	GIRANTE	ROTOR	TOURNANT	LAUFRAD
51	01	19952617	VITE	SCREW	VIS	SCHRAUBE
52A	01	15185044	LAMA (cm.50)	BLADE (cm.50)	LAME (cm.50)	MESSER (cm.50)
52B	01	15185025	LAMA (cm.60)	BLADE (cm.60)	LAME (cm.60)	MESSER (cm.60)
52C	01	15185014	LAMA (cm.70)	BLADE (cm.70)	LAME (cm.70)	MESSER (cm.70)
53	01	15185036	DISTANZIALE	SPACER	ENTRETOISE	DISTANZSTÜCK
54	01	19903327	CUSCINETTO	BEARING	ROULEMENT	LAGER
55	04	19952721	VITE		VIS	SCHRAUBE