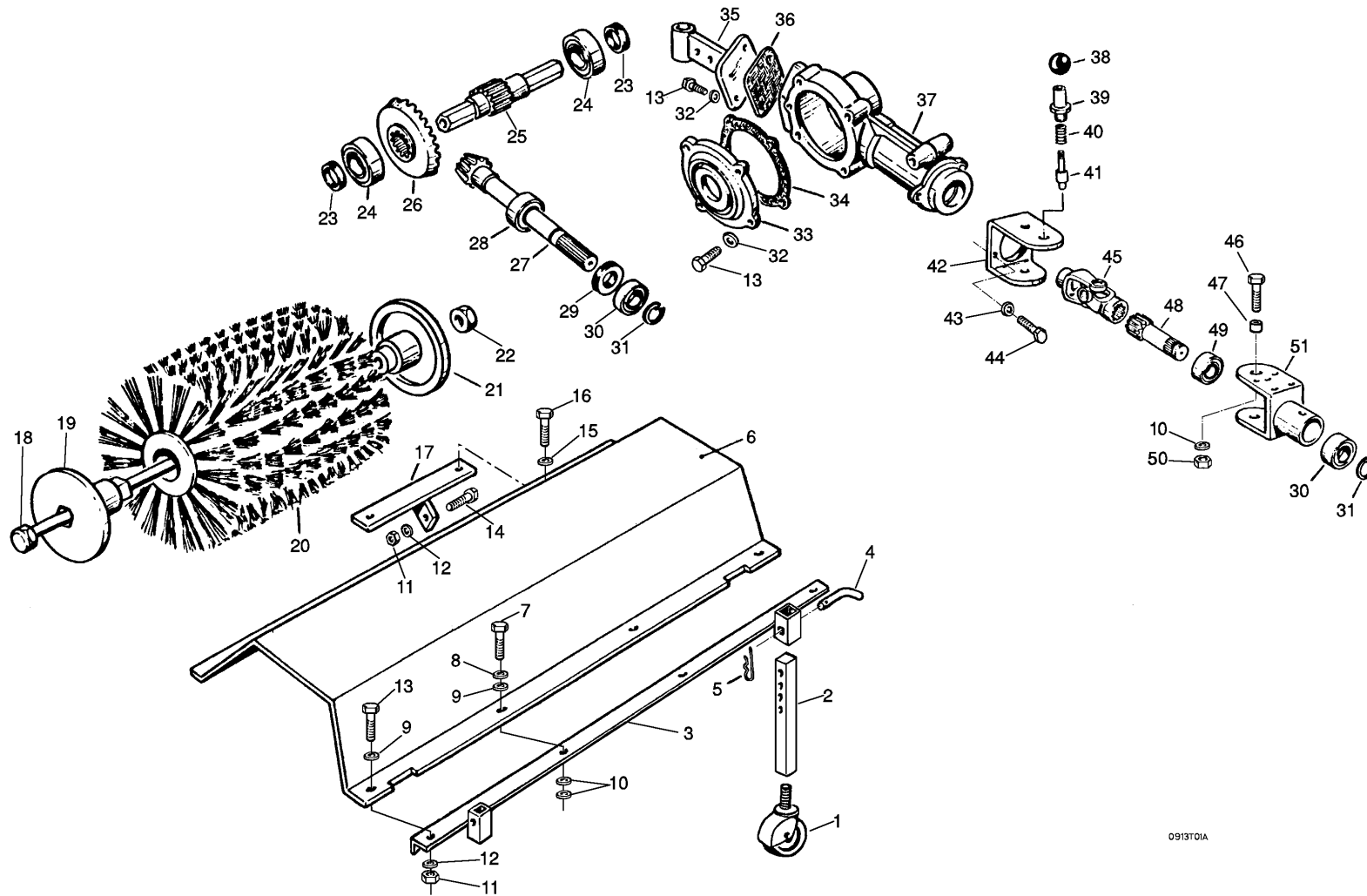


Tab. 3 – SPAZZOLONE FRONTALE - FRONTAL BRUSH - BALAI À ROULEAU - FRONTALBÜRSTE (cod. 12350913 - 12350951)



Tab. 3 – SPAZZOLONE FRONTALE - *FRONTAL BRUSH* - BALAI À ROULEAU - *FRONTALBÜRSTE* (cod. 12350913 12350951)

REF.	Q.	COD.	DESCRIZIONE	DESCRIPTION	DESCRIPTION	BENENNUNG
01	02	12320085	RUOTA PIVOTANTE	CASTOR, SWIVEL	ROUE PIVOTANTE	DREHRAD
02	02	15545112	SUPPORTO	SUPPORT	SUPPORT	HALTERUNG
03	01	15545109	ASTA	ROD	TIGE	STANGE
04	01	15085023	PERNO	PIN	AXE	BOLZEN
05	02	15001081	SPINAA MOLLA	SPRING CLIP	GOUPILLE RAPIDE	VORSTECKER
06	01	15545103	COFANO	CASE	COFFRE	HAUBE
07	02	19952729	VITE	SCREW	VIS	SCHRAUBE
08	02	19955273	ROSETTA ELASTICA	SPRING WASHER	RONDELLE ELASTIQUE	FEDERSCHEIBE
09	08	19955009	RONDELLA	PLAIN WASHER	RONDELLE	SCHEIBE
10	06	19955053	RONDELLA	PLAIN WASHER	RONDELLE	SCHEIBE
11	07	19954254	DADO	NUT	ECROU	MUTTER
12	07	19955052	RONDELLA	PLAIN WASHER	RONDELLE	SCHEIBE
13	12	19952721	VITE	SCREW	VIS	SCHRAUBE
14	01	19952737	VITE	SCREW	VIS	SCHRAUBE
15	04	19955008	RONDELLA	PLAIN WASHER	RONDELLE	SCHEIBE
16	04	19952714	VITE	SCREW	VIS	SCHRAUBE
17	01	15545108	SUPPORTO	SUPPORT	SUPPORT	HALTERUNG
18	01	15545100	TIRANTE	TIE-ROD	TIRANT	SPANNBOLZEN
19	02	15545107	FLANGIA	FLANGE	BRIDE	FLANSH
20	02	12350917	RULLO	ROLL	ROULEAU	WALZE
21	02	15545099	FLANGIA	FLANGE	BRIDE	FLANSH
22	01	19954212	DADO	NUT	ECROU	MUTTER
23	02	19921038	ANELLO DI TENUTA	SEAL RING	BAGUE D'ETANCHEITE	DICHTRING
24	02	19900231	CUSCINETTO	BEARING	ROULEMENT	LAGER
25	01	15174035	ALBERO	SHAFT	ARBRE	WELLE
26	01	15544130	CORONA DENTATA	RING GEAR	COURONNE DENTÉE	ZAHNKRANZ
27	01	15544040	PIGNONE	PINION	PIGNON	RITZEL
28	01	19901004	CUSCINETTO	BEARING	ROULEMENT	LAGER
29	01	19922115	ANELLO DI TENUTA	SEAL RING	BAGUE D'ETANCHEITE	DICHTRING
30	02	19900222	CUSCINETTO	BEARING	ROULEMENT	LAGER
31	02	19955520	ANELLO ELASTICO	LOCKRING	ARRETOIR	SICHERUNGSRING
32	06	19955408	DISCO ELASTICO	SPRING WASHER	RONDELLE ELASTIQUE	FEDERSCHEIBE
33	01	15201007	COPERCHIO	COVER	COUVERCLE	DECKEL
34	01	15056009	GUARNIZIONE	GASKET	JOINT	DICHTUNG
35	01	15201006	SUPPORTO	SUPPORT	SUPPORT	HALTERUNG
36	01	15206068	GUARNIZIONE	GASKET	JOINT	DICHTUNG
37	01	15541008	GAMBO	TIGE	TIGE	SCHAFT
38	01	14660186	POMELLO	KNOB	BOUTON	KNEBELGRIFF
39	01	15545027	BOCCOLA	BUSH	DOUILLE	BUCHSE
40	01	15001035	MOLLA	SPRING	RESSORT	FEDER
41	01	15545105	PERNO	PIN	AXE	BOLZEN
42	01	15545101	STAFFA	STIRRUP	ETRIER	BÜGEL
43	02	19955274	ROSETTA ELASTICA	SPRING WASHER	RONDELLE ELASTIQUE	FEDERSCHEIBE
44	02	19952129	VITE	SCREW	VIS	SCHRAUBE
45	01	15545104	GIUNTO CARDANICO	CARDAN JOINT	JOINT CARDAN	KARDANGELENK

Tab. 3 – SPAZZOLONE FRONTALE - *FRONTAL BRUSH* - BALAI À ROULEAU - *FRONTALBÜRSTE* (cod. 12350913 12350951)

REF.	Q.	COD.	DESCRIZIONE	DESCRIPTION	DESCRIPTION	BENENNUNG
46	02	19952738	VITE	SCREW	VIS	SCHRAUBE
47	02	15545106	BOCCOLA	BUSH	DOUILLE	BUCHSE
48	01	15574058	ALBERO	SHAFT	ARBRE	WELLE
49	01	19900322	CUSCINETTO	BEARING	ROULEMENT	LAGER
50	02	19954255	DADO	NUT	ECROU	MUTTER
51	01	15545102	STAFFA	STIRRUP	ETRIER	BÜGEL