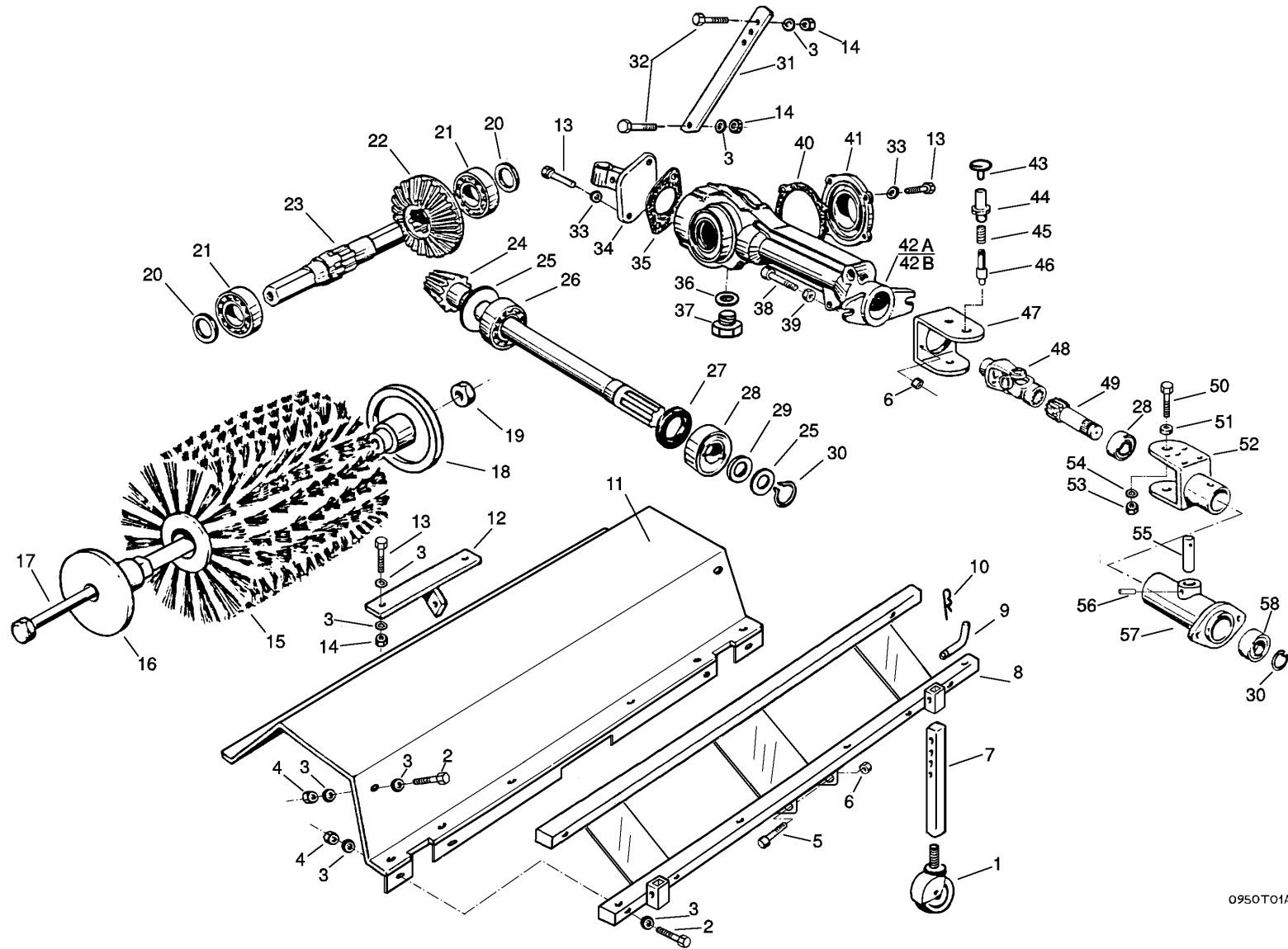


Tab. 2 – SPAZZOLONE FRONTALE - FRONTAL BRUSH - BALAI À ROULEAU - FRONTALBÜRSTE (cod. 12350910 - .0912 - .0950 - .0952)



0950T01A

Tab. 2 – SPAZZOLONE FRONTALE - *FRONTAL BRUSH* - BALAI À ROULEAU - *FRONTALBÜRSTE* (cod. 12350910 - .0912 - .0950 - .0952)

REF.	Q.	COD.	DESCRIZIONE	DESCRIPTION	DESCRIPTION	BENENNUNG
01	02	12320085	RUOTA PIVOTANTE	CASTOR, SWIVEL	ROUE PIVOTANTE	DREHRAD
02	06	19952737	VITE	SCREW	VIS	SCHRAUBE
03	18	19955052	RONDELLA	PLAIN WASHER	RONDELLE	SCHEIBE
04	06	19954208	DADO	NUT	ECROU	MUTTER
05	01	19952683	VITE	SCREW	VIS	SCHRAUBE
06	03	19954256	DADO	NUT	ECROU	MUTTER
07	02	15205163	SUPPORTO	SUPPORT	SUPPORT	HALTERUNG
08	01	15205160	SUPPORTO	SUPPORT	SUPPORT	HALTERUNG
09	02	15085023	SPINA	PIN	GOUPILLE	STIFT
10	02	15001081	COPIGLIA	COTTER PIN	GOUPILLE FENDUE	SPLINT
11	01	15205170	COFANO	CASE	COFFRE	HAUBE
12	01	15205162	SUPPORTO	SUPPORT	SUPPORT	HALTERUNG
13	08	19952721	VITE	SCREW	VIS	SCHRAUBE
14	04	19954254	DADO	NUT	ECROU	MUTTER
15	02	12350918	RULLO	BRUSH	BROSSE	BÜRSTE
16	02	15205165	FLANGIA	FLANGE	BRIDE	FLANSH
17	01	15205161	TIRANTE	TIE-ROD	TIRANT	SPANNBOLZEN
18	02	15205166	FLANGIA	FLANGE	BRIDE	FLANSH
19	01	19954212	DADO	NUT	ECROU	MUTTER
20	02	19921038	ANELLO DI TENUTA	SEAL RING	BAGUE D'ETANCHEITE	DICHTRING
21	02	19900231	CUSCINETTO	BEARING	ROULEMENT	LAGER
22	01	15544130	CORONA DENTATA	RING GEAR	COURONNE DENTEE	ZAHNKRANZ
23	01	15174035	ALBERO	SHAFT	ARBRE	WELLE
24	01	15544131	PIGNONE	PINION	PIGNON	RITZEL
25	02	19956029	SPESSORE	SHIM	CALE D'EPAISSEUR	DISTANZSCHEIBE
26	01	19901004	CUSCINETTO	BEARING	ROULEMENT	LAGER
27	01	19922119	ANELLO DI TENUTA	SEAL RING	BAGUE D'ETANCHEITE	DICHTRING
28	02	19900322	CUSCINETTO	BEARING	ROULEMENT	LAGER
29	01	19956028	SPESSORE	SHIM	CALE D'EPAISSEUR	DISTANZSCHEIBE
30	02	19955520	ANELLO ELASTICO	LOCKRING	ARRETOIR	SICHERUNGSRING
31	01	15175129	ASTA	ROD	TIGE	STANGE
32	02	19952737	VITE	SCREW	VIS	SCHRAUBE
33	06	19955408	DISCO ELASTICO	DISK	DISQUE	SCHEIBE
34	01	15201006	TAPPO	PLUG	BOUCHON	STOPFEN
35	01	15206068	GUARNIZIONE	GASKET	JOINT	DICHTUNG
36	01	19956110	RONDELLA	PLAIN WASHER	RONDELLE	SCHEIBE
37	01	15005013	TAPPO	PLUG	BOUCHON	STOPFEN
38	02	19952139	VITE	SCREW	VIS	SCHRAUBE
39	02	19955017	RONDELLA	PLAIN WASHER	RONDELLE	SCHEIBE
40	01	15056009	GUARNIZIONE	GASKET	JOINT	DICHTUNG
41	01	15201007	COPERCHIO	COVER	COUVERCLE	DECKEL
42a	01	15201005	GAMBO	TIGE	TIGE	SCHAFT
			(cod. 12350910 / 12350912)	(cod. 12350910 / 12350912)	(cod. 12350910 / 12350912)	(cod. 12350910 / 12350912)
42b	01	15201051	GAMBO	TIGE	TIGE	SCHAFT
			(cod. 12350950 / 12350952)	(cod. 12350950 / 12350952)	(cod. 12350950 / 12350952)	(cod. 12350950 / 12350952)
43	01	14660186	POMELLO	KNOB	BOUTON	KNEBELGRIFF
44	01	15545027	BOCCOLA	BUSH	DOUILLE	BÜCHSE

Tab. 2 – SPAZZOLONE FRONTALE - *FRONTAL BRUSH* - BALAI À ROULEAU - *FRONTALBÜRSTE* (cod. 12350910 - .0912 - .0950 - .0952)

REF.	Q.	COD.	DESCRIZIONE	DESCRIPTION	DESCRIPTION	BENENNUNG
45	01	15001035	MOLLA	SPRING	RESSORT	FEDER
46	01	15545105	PERNO	PIN	AXE	BOLZEN
47	01	15205154	STAFFA	STIRRUP	ETRIER	BÜGEL
48	01	15545104	GIUNTO CARDANICO	CARDAN JOINT	JOINT DE CARDAN	KARDANGELENK
49	01	15205156	ALBERO	SHAFT	ARBRE	WELLE
50	02	19952738	VITE	SCREW	VIS	SCHRAUBE
51	02	15545106	BOCCOLA	BUSH	DOUILLE	BÜCHSE
52	01	15545102	STAFFA	STIRRUP	ETRIER	BÜGEL
53	02	19954255	DADO	NUT	ECROU	MUTTER
54	02	19955053	RONDELLA	PLAIN WASHER	RONDELLE	SCHEIBE
55	01	15205157	PERNO	PIN	AXE	BOLZEN
56	01	19952508	VITE	SCREW	VIS	SCHRAUBE
57	01	15205164	SUPPORTO	SUPPORT	SUPPORT	HALTERUNG
58	01	19900522	CUSCINETTO	BEARING	ROULEMENT	LAGER