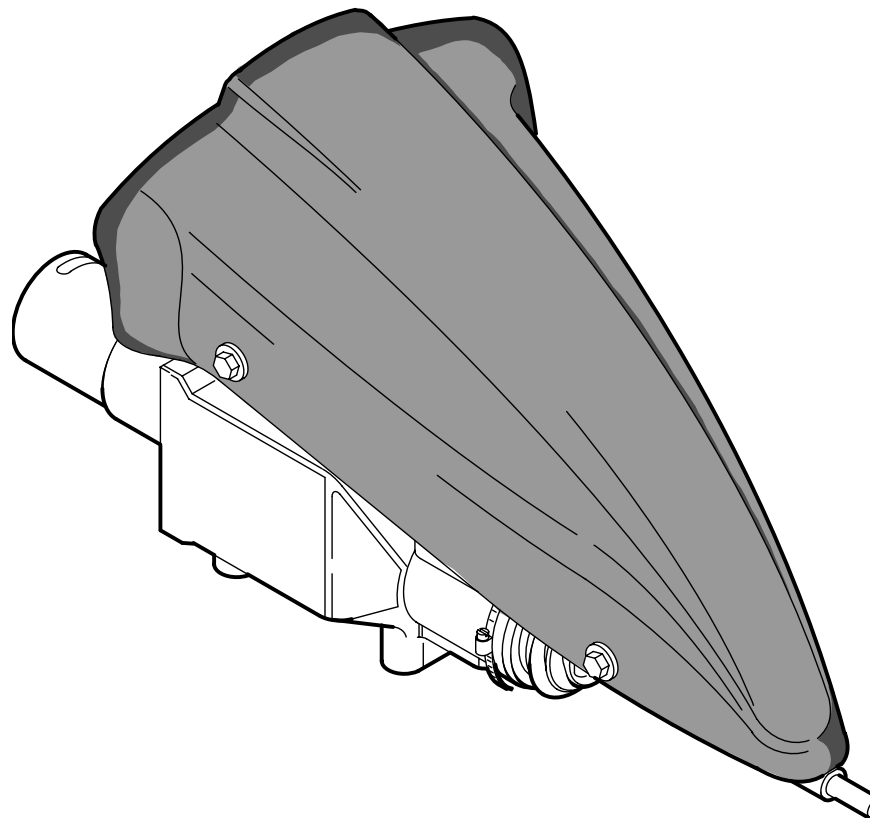


Mod. KOMMUNAL ESM CM. 117

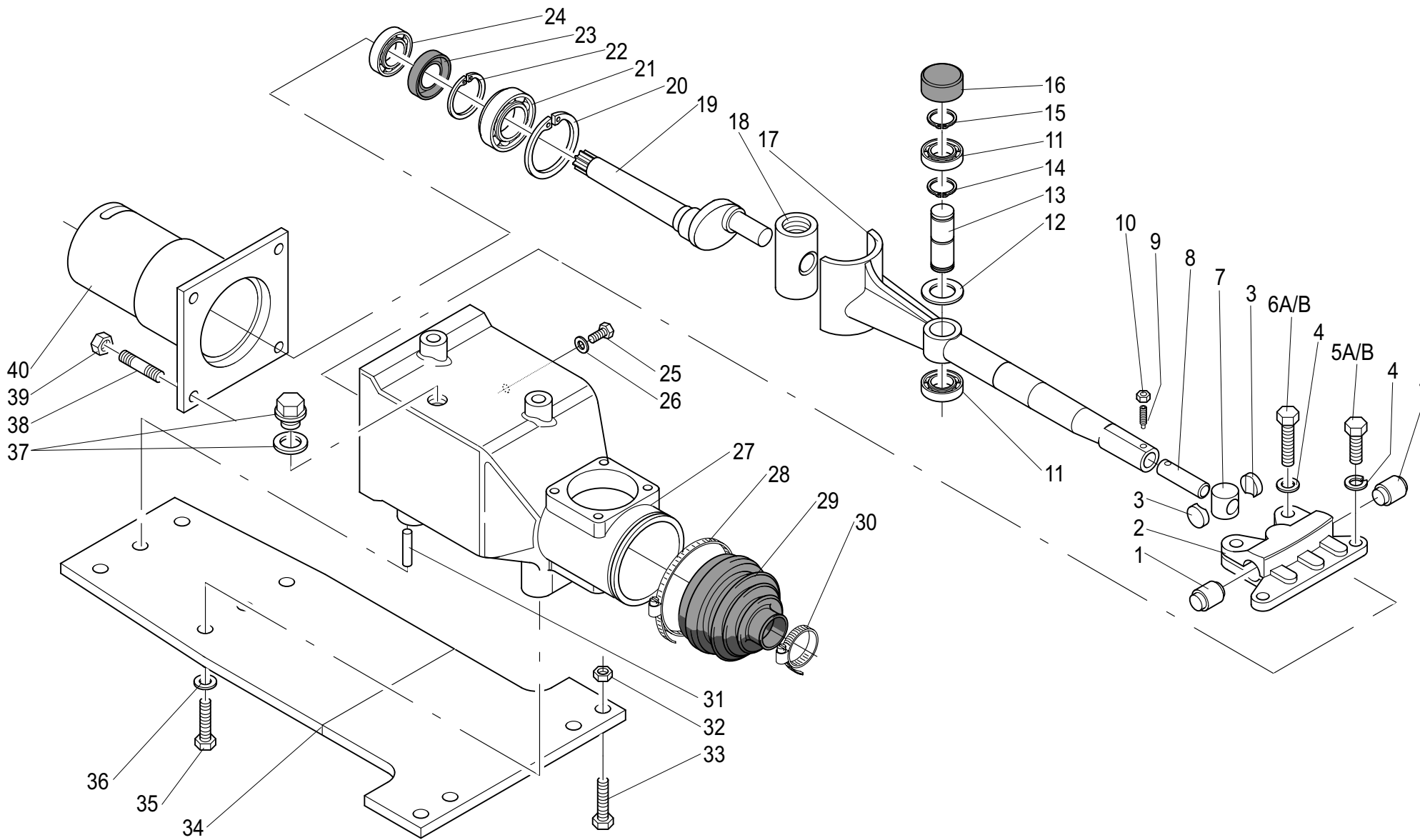
B.O. 280

Cod. 12312651

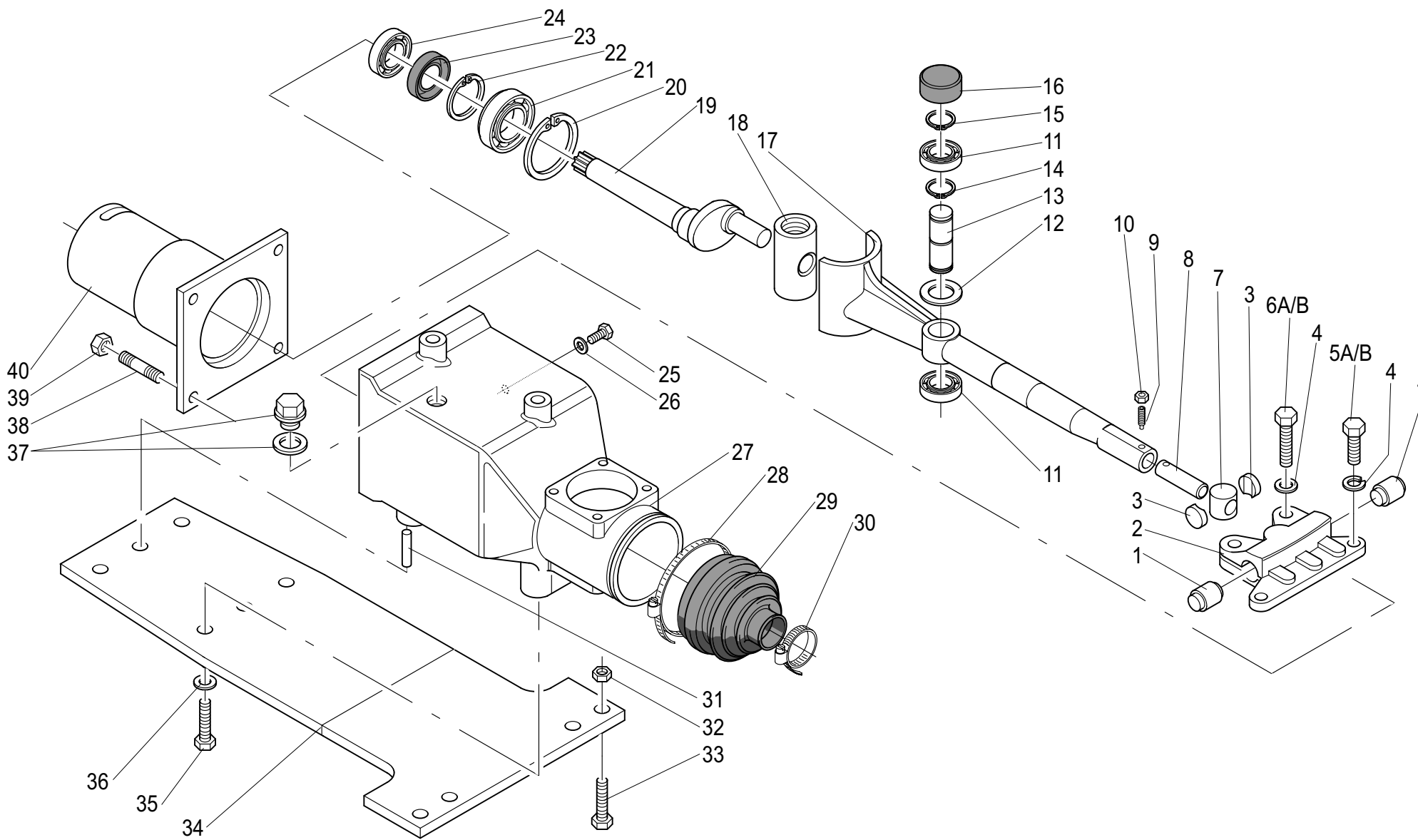
PARTI DI RICAMBIO
SPARE PARTS
PIECES DE RECHANGE
ERSATZTEILLISTE



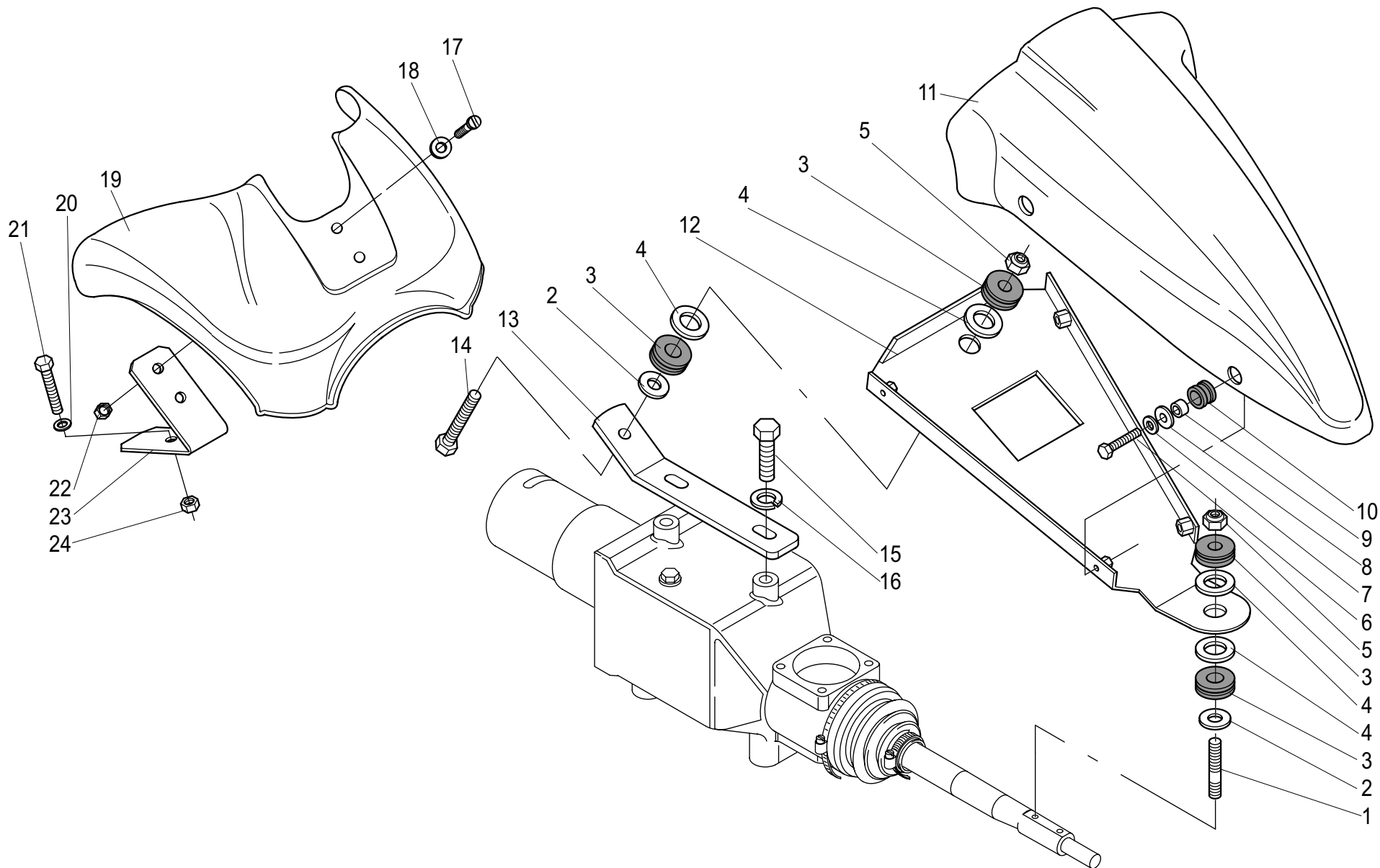
Tab.	01	Azionamento barra bagno olio	Bar movement b.o	Mouvement de la barre b.o	Mähbalken betrieb b.o
Tab.	02	Cofano barra bagno olio	Bar o.b bonnet	Coffre de la barre b.o	Mähbalkenhaube b.o
Tab.	03	Barra kommunal ESM	Kommunal bar ESM	Barre kommunal ESM	Kommunal ESM mähbalken



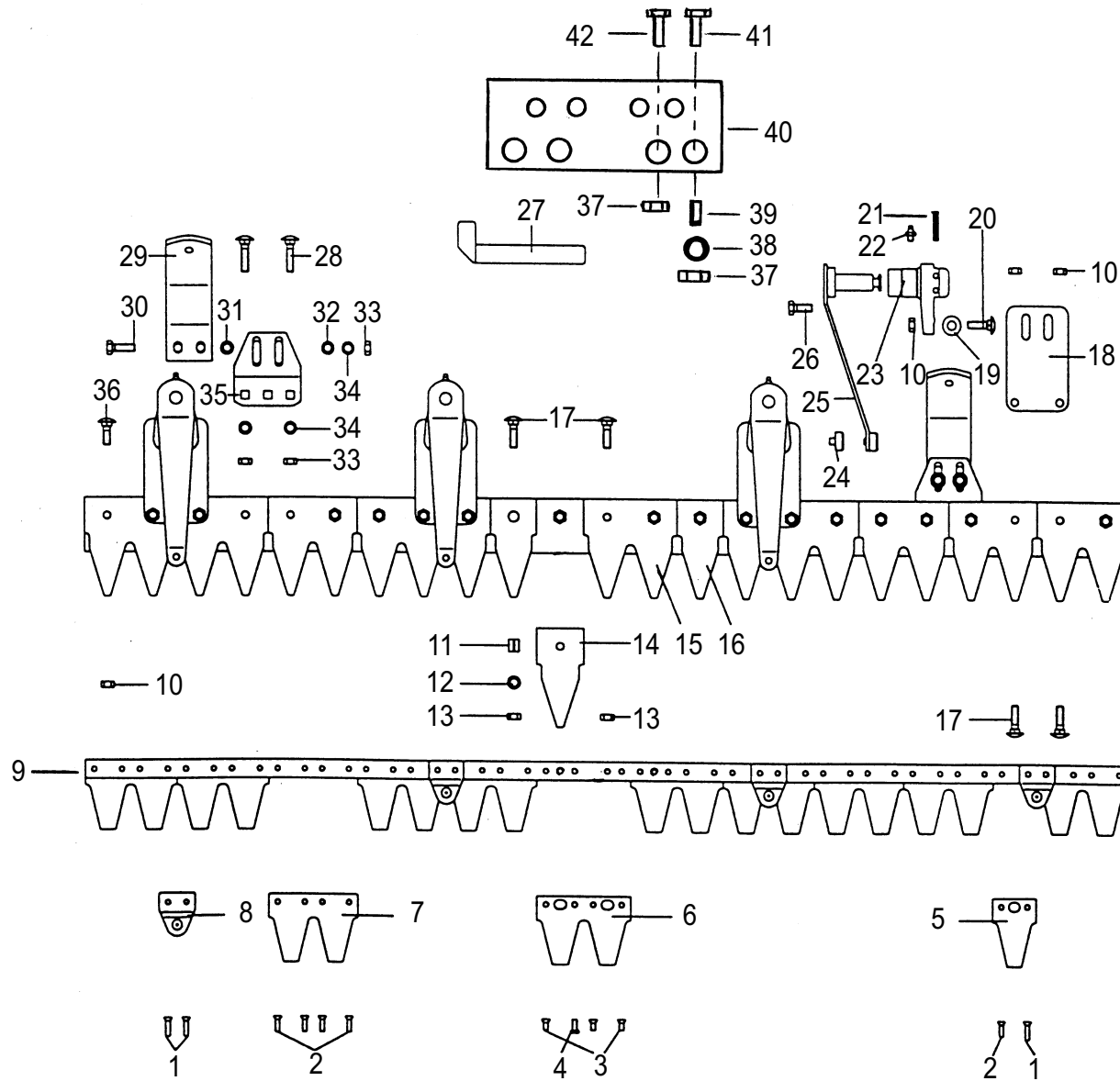
TAB. 01		AZIONAMENTO BARRA BAGNO OLIO (MF 280) - BAR MOVEMENT B.O (MF 280) MOUVEMENT DE LA BARRE B.O (MF 280) - MÄHBALKEN BETRIEB B.O (MF 280)				
REF.	Q.	COD.	DESCRIZIONE	DESCRIPTION	DESCRIPTION	BENENNUNG
01	02	15274030	VITE REGISTRO	ADJUSTMENT SCREW	VIS DE REGLAGE	STELLSCHRAUBE
02	01	15271030	GUIDALAMA	BLADE DRIVE	GUIDE-LAME	MESSERFÜHRUNG
03	02	15274019	PATTINO REGISTRO	SLIDING SHOE	PATIN	GLEITSTÜCK
04	04	19955273	RONDELLA	PLAIN WASHER	RONDELLE	SCHEIBE
05A	02	19952721	VITE TE M8X20 (ESM)	SCREW TE M8X20 (ESM)	VIS TE M8X20 (ESM)	SCHRAUBE TE M8X20 (ESM)
05B	02	19952729	VITE TE M8X25	SCREW TE M8X25	VIS TE M8X25	SCHRAUBE TE M8X25
06A	02	19952737	VITE TE M8X30 (ESM)	SCREW TE M8X30 (ESM)	VIS TE M8X30 (ESM)	SCHRAUBE TE M8X30 (ESM)
06B	02	19952729	VITE TE M8X25	SCREW TE M8X25	VIS TE M8X25	SCHRAUBE TE M8X25
07	01	15274020	CILINDRO	BUSHING	BARILLET	ZYLINDER
08	01	15274013	PERNO	PIN	AXE	STIFT
09	01	19952569	VITE	SCREW	VIS	SCHRAUBE
10	01	19954254	DADO	NUT	ECROU	MUTTER
11	02	19902326	CUSCINETTO	BEARING	ROULEMENT	KUGELLAGER
12	01	19956039	SPESSORE	SHIM	CALE D'EPaisseur	DISTANZSCHEIBE
13	01	15275012	ALBERO	SHAFT	ARBRE	WELLE
14	01	19955525	ANELLO ELASTICO	LOCKRING	ARRETOIR	SICHERUNGSRING
15	01	19955652	ANELLO ELASTICO	LOCKRING	ARRETOIR	SICHERUNGSRING
16	01	19922299	TAPPO	PLUG	BOUCHON	STOPFEN
17	01	15273066RAP	ALBERO	SHAFT	ARBRE	WELLE
18	01	15275070	BOCCOLA	BUSH	DOUILLE	BÜCHSE
19	01	15273064	ALBERO	SHAFT	ARBRE	WELLE
20	01	19955662	ANELLO ELASTICO	LOCKRING	ARRETOIR	SICHERUNGSRING
21	01	19902331	CUSCINETTO	BEARING	ROULEMENT	KUGELLAGER
22	01	19955530	ANELLO ELASTICO	LOCKRING	ARRETOIR	SICHERUNGSRING
23	01	19922222	ANELLO DI TENUTA	SEAL RING	BAGUE D'ÉTANCHÉITÉ	DICHTRING
24	01	19902222	CUSCINETTO	BEARING	ROULEMENT	KUGELLAGER
25	01	19952706	VITE	SCREW	VIS	SCHRAUBE
26	01	19956166	GUARNIZIONE	GASKET	JOINT	DICHTUNG
27	01	15271051	SCATOLA	CASE	CARTER	GEHÄUSE
28	01	19957077	FASCETTA	STRAP	COLLIER	HALTERBAND
29	01	14680505	SOFFIETTO	STRAP	COLLIER	HALTERBAND
30	01	19957025	SOFFIETTO	STRAP	COLLIER	HALTERBAND
31	02	19955935	SPINA	PIN	GOUPILLE	STIFT



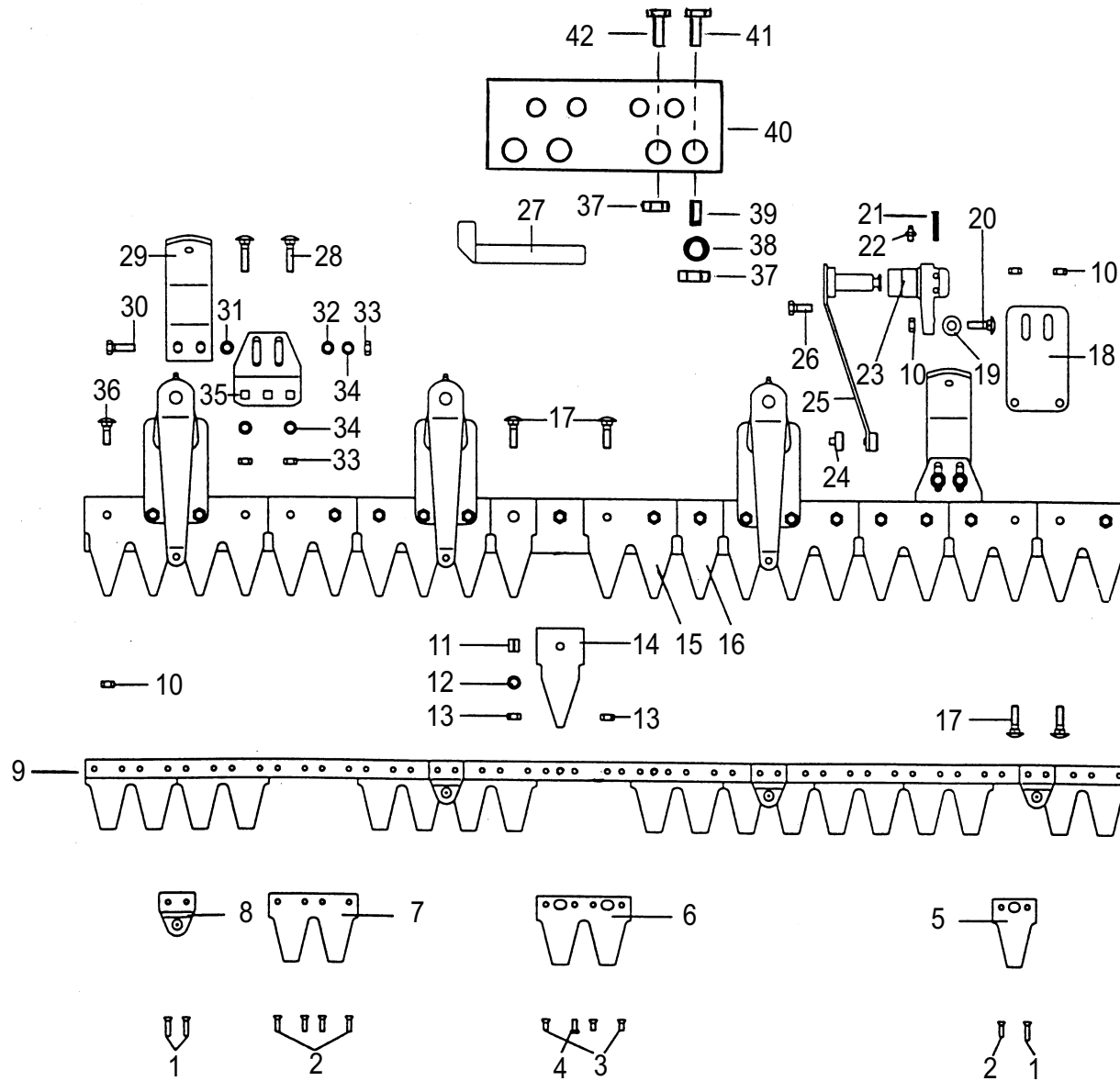
TAB. 01		AZIONAMENTO BARRA BAGNO OLIO (MF 280) - BAR MOVEMENT B.O (MF 280) MOUVEMENT DE LA BARRE B.O (MF 280) - MÄHBALKEN BETRIEB B.O (MF 280)				
REF.	Q.	COD.	DESCRIZIONE	DESCRIPTION	DESCRIPTION	BENENNUNG
32	04	19954255	DADO	NUT	ECROU	MUTTER
33	04	19952609	VITE	SCREW	VIS	SCHRAUBE
34	01	15275071	STAFFA	STIRRUP	ETRIER	BÜGEL
35	04	19952731	VITE	SCREW	VIS	SCHRAUBE
36	04	19955312	RONDELLA	PLAIN WASHER	RONDELLE	SCHEIBE
37	01	14660125	TAPPO	PLUG	BOUCHON	STOPFEN
38	04	15004028	PRIGIONIERO	STUD BOLD	GOUJON	STIFTSCHRAUBE
39	04	19954212	DADO	NUT	ECROU	MUTTER
40	01	15765117	MANICOTTO	FITTING	MANCHON	MUFFE



TAB. 02		COFANO BARRA BAGNO OLIO (MF 280) - BAR O.B BONNET (MF 280) COFFRE DE LA BARRE B.O (MF 280) - MÄHBALKENHAUBE B.O (MF 280)				
REF.	Q.	COD.	DESCRIZIONE	DESCRIPTION	DESCRIPTION	BENENNUNG
01	01	15004022	PRIGIONIERO	STUD BOLD	GOUJON	STIFTSCHRAUBE
02	02	19955018	RONDELLA	PLAIN WASHER	RONDELLE	SCHEIBE
03	04	14680412	SILENTBLOCK	SILENTBLOCK	SILENTBLOCK	SILENTBLOCK
04	04	19955058	RONDELLA	PLAIN WASHER	RONDELLE	SCHEIBE
05	02	19953610	DADO	NUT	ECROU	MUTTER
06	04	19952008	VITE	SCREW	VIS	SCHRAUBE
07	04	19955273	RONDELLA	PLAIN WASHER	RONDELLE	SCHEIBE
08	04	19955009	RONDELLA	PLAIN WASHER	RONDELLE	SCHEIBE
09	04	15205043	DISTANZIALE	SPACER	ENTRETOISE	DISTANZSTÜCK
10	04	14680103	GOMMINO	RUBBER RING	CAOUTCHOUC	GUMMIRING
11	01	15276001	COFANO	BONNET	COFFRE	MOTORHAUBE
12	01	15275010	SUPPORTO	SUPPORT	SUPPORT	HALTERUNG
13	01	15275011	SUPPORTO	SUPPORT	SUPPORT	HALTERUNG
14	01	19952631	VITE	SCREW	VIS	SCHRAUBE
15	02	19952723	VITE	SCREW	VIS	SCHRAUBE
16	02	19955275	RONDELLA	PLAIN WASHER	RONDELLE	SCHEIBE
17	02	19952009	VITE	SCREW	VIS	SCHRAUBE
18	02	19955009	RONDELLA	PLAIN WASHER	RONDELLE	SCHEIBE
19	01	15766003	COFANO	BONNET	COFFRE	MOTORHAUBE
20	01	19955056	RONDELLA	PLAIN WASHER	RONDELLE	SCHEIBE
21	01	19952640	VITE	SCREW	VIS	SCHRAUBE
22	02	19954254	DADO	NUT	ECROU	MUTTER
23	01	15765180	SUPPORTO	SUPPORT	SUPPORT	HALTERUNG
24	01	19954008	DADO	NUT	ECROU	MUTTER



TAB. 03		BARRA KOMMUNAL ESM (CM. 117) - KOMMUNAL BAR ESM (CM. 117) BARRE KOMMUNAL ESM (CM. 117) - KOMMUNAL ESM MÄHBALKEN (CM. 117)				
REF.	Q.	COD.	DESCRIZIONE	DESCRIPTION	DESCRIPTION	BENENNUNG
01	—	14690506	RIBATTINO (5X20)	RIVET (5X20)	RIVET (5X20)	SENKNIET (5X20)
02	—	14690508	RIBATTINO (5X17)	RIVET (5X17)	RIVET (5X17)	SENKNIET (5X17)
03	—	14690502	RIBATTINO (5X12)	RIVET (5X12)	RIVET (5X12)	SENKNIET (5X12)
04	—	—	RIBATTINO SPECIALE	RIVET	RIVET	SONDERNIET
05	—	14690336	SEZIONE LAMA	CUTTING EDGE	SECTION DE LAME	MESSERKLINGE
06	—	14690328	SEZIONE LAMA	CUTTING EDGE	SECTION DE LAME	DOPPELKLINGE
07	—	14690327	SEZIONE LAMA	CUTTING EDGE	SECTION DE LAME	DOPPELKLINGE
08	04	14690804	PIASTRINA	PLATE	PLAQUE	PLATTE
09	01	12310907	LAMA	BLADE	LAME	MESSER
10	—	19954076	DADO	NUT	ECROU	MUTTER
11	—	—	SPINA (11X14)	PIN (11X14)	GOUPILLE (11X14)	SPANNHÜLSE (11X14)
12	—	—	RONDELLA ELASTICA (D.8)	SPRING WASHER (D.8)	RONDELLE ELASTIQUE (D.8)	SPANNSCHEIBE (D.8)
13	—	14690215	DADO	NUT	ECROU	MUTTER
14	—	14690342	DENTE	TOOTH	DENT	BALKENKLINGE
15	—	14690343	DENTE DOPPIO	TOOTH	DENT	DOPPELBALKENKLINGE
16	—	14690341	DENTE	TOOTH	DENT	BALKENKLINGE
17	—	19951826	VITE (TTQS M8X30)	SCREW (TTQS M8X30)	VIS (TTQS M8X30)	SCHRAUBE (TTQS M8X30)
18	04	14690801	PIASTRA	PLATE	PLAQUE	PLATTE
19	04	19955009	RONDELLA	PLAIN WASHER	RONDELLE	SCHEIBE
20	04	14690222	VITE (TTQS M8X27)	SCREW (TTQS M8X27)	VIS (TTQS M8X27)	SCHRAUBE (TTQS M8X27)
21	08	19955747	SPINA (6X32)	PIN (6X32)	GOUPILLE (6X32)	SPANNHÜLSE (6X32)
22	04	19956201	INGRASSATORE	GREASE NIPPLE	GRAISSEUR	SCHMIERNIPPLE
23	04	14690803	SUPPORTO	SUPPORT	SUPPORT	LAGERKÜRPER, KPL.
24	04	14690807	BOCCOLA	BUSH	DOUILLE	MITNEHMERHÜLSE
25	04	14690805	LEVA	LEVER	LEVIER	HEBEL
26	04	—	VITE (TE M8X22)	SCREW (TE M8X22)	VIS (TE M8X22)	SCHRAUBE (TE M8X22)
27	01	14690344	LEVA	LEVER	LEVIER	MONTAGEHEBEL
28	—	19951828	VITE (TTQS M8X35)	SCREW (TTQS M8X35)	VIS (TTQS M8X35)	SCHRAUBE (TTQS M8X35)
29	—	14690812	SLITTA	SKID	SEMELLE	LAUFSOLE
30	—	19952729	VITE (TE M8X25)	SCREW (TE M8X25)	VIS (TE M8X25)	SCHRAUBE (TE M8X25)
31	—	19955273	RONDELLA ELASTICA	SPRING WASHER	RONDELLE ELASTIQUE	SPANNSCHEIBE
32	—	19955052	RONDELLA	PLAIN WASHER	RONDELLE	SCHEIBE
33	—	19954076	DADO	NUT	ECROU	MUTTER



TAB. 03		BARRA KOMMUNAL ESM (CM. 117) - KOMMUNAL BAR ESM (CM. 117) BARRE KOMMUNAL ESM (CM. 117) - KOMMUNAL ESM MÄHBALKEN (CM. 117)				
REF.	Q.	COD.	DESCRIZIONE	DESCRIPTION	DESCRIPTION	BENENNUNG
34	—	19955408	DISCO ELASTICO	SPRING WASHER	RONDELLE ELASTIQUE	FEDERRING
35	—	14690334	SUPPORTO SLITTA	SUPPORT, SKID	SUPPORT SEMELLE	LAUFSOHLENHALTER
36	—	—	VITE (TTQS M8X23)	SCREW (TTQS M8X23)	VIS (TTQS M8X23)	SCHRAUBE (TTQS M8X23)
37	04	14690318	DADO	NUT	ECROU	MUTTER
38	02	19955408	RONDELLA	PLAIN WASHER	RONDELLE	SCHEIBE
39	02	14690317	BOCCOLA	BUSH	DOUILLE	BÜCHSE
40	01	15275072	STAFFA	STIRRUP	ETRIER	BÜGEL
41	02	19952737	VITE	SCREW	VIS	SCHRAUBE
42	02	19952729	VITE	SCREW	VIS	SCHRAUBE