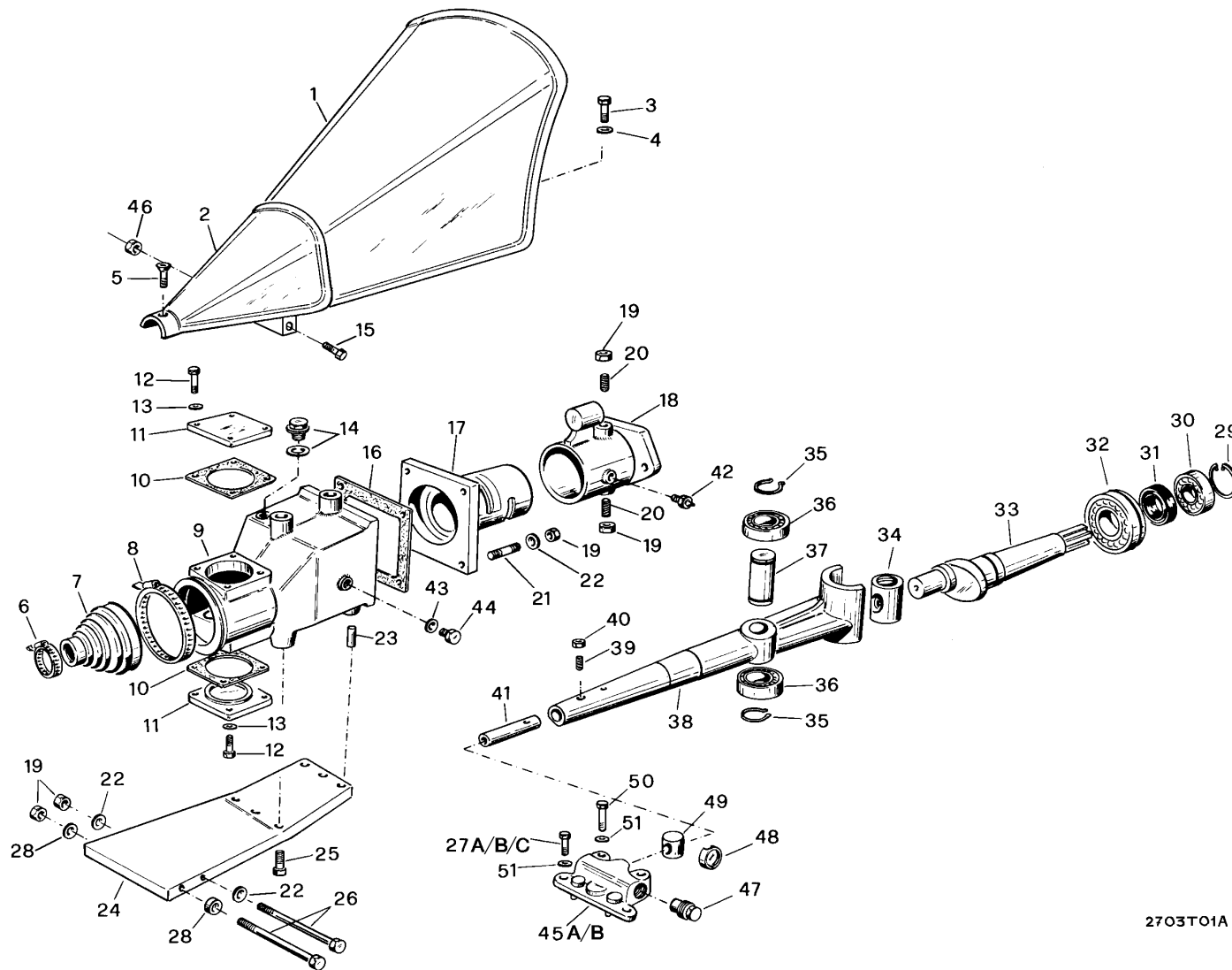


Tab. 20 – AZIONAMENTO BARRA C. - CENTRAL BAR MOVEMENT - MOUVEMENT DE LA BARRE - MÄHBALKEN BETRIEB (cod. 1231.)



2703T01A

Tab. 20 – AZIONAMENTO BARRA C. - CENTRAL BAR MOVEMENT - MOUVEMENT DE LA BARRE - MÄHBALKEN BETRIEB (cod. 1231.)

REF.	Q.	COD.	DESCRIZIONE	DESCRIPTION	DESCRIPTION	BENENNUNG
01	01	15275025	COFANO	COVER	COUVERCLE	DECKEL
02	01	15275024	COFANO	COVER	COUVERCLE	DECKEL
03	02	19952731	VITE	SCREW	VIS	SCHRAUBE
04	02	19955275	ROSETTA	SPRING WASHER	RONDELLE ELASTIQUE	FEDERSCHEIBE
05	01	19952334	VITE	SCREW	VIS	SCHRAUBE
06	01	19957040	FASCETTA	STRAP	COLLIER	HALTERBAND
07	01	14680505	SOFFIETTO IN GOMMA	STRAP	COLLIER	HALTERBAND
08	01	19957090	FASCETTA	STRAP	COLLIER	HALTERBAND
09	01	15271052	CARTER	CASE	CARTER	GEHÄUSE
10	02	15276068	GUARNIZIONE	GASKET	JOINT	DICHTUNG
11	02	15271055	COPERCHIO	COVER	COUVERCLE	DECKEL
12	08	19952714	VITE	SCREW	VIS	SCHRAUBE
13	08	19955272	ROSETTA ELASTICA	SPRING WASHER	RONDELLE ELASTIQUE	FEDERSCHEIBE
14	01	14660110	TAPPO OLIO	PLUG	BOUCHON	STOPFEN
15	01	19952638	VITE	SCREW	VIS	SCHRAUBE
16	01	15276067	GUARNIZIONE	GASKET	JOINT	DICHTUNG
17	01	15271054	MANICOTTO	FITTING	MANCHON	MUFFE
18	01	15271053	MANICOTTO FISSO	FITTING	MANCHON	MUFFE
19	08	19954212	DADO	NUT	ECROU	MUTTER
20	02	19952584	VITE	SCREW	VIS	SCHRAUBE
21	04	15004029	PRIGIONIERO	STUD BOLD	GOUJON	STIFTSCHRAUBE
22	06	19955016	RONDELLA	PLAIN WASHER	RONDELLE	SCHEIBE
23	02	19955935	SPINA CILINDRICA	PIN	GOUPILLE	STIFT
24	01	15275069	STAFFA	STIRRUP	ETRIER	BÜGEL
25	04	19952120	VITE	SCREW	VIS	SCHRAUBE
26	02	19952697	VITE	SCREW	VIS	SCHRAUBE
27a	02	19952333	VITE (fino al 1990)	SCREW (fino al 1990)	VIS (fino al 1990)	SCHRAUBE (fino al 1990)
27b	02	19952729	VITE (dal 1991)	SCREW (since 1991)	VIS (dal 1991)	SCHRAUBE (dal 1991)
27c	02	19952721	VITE (ESM)	SCREW (ESM)	VIS (ESM)	SCHRAUBE (ESM)
28	02	15275049	DISTANZIALE	SPACER	ENTRETOISE	DISTANZSTÜCK
29	01	19955647	ANELLO ELASTICO	LOCKRING	ARRETOIR	SCHERUNGSRING
30	01	19900322	CUSCINETTO	BEARING	ROULEMENT	LAGER
31	01	19922119	ANELLO DI TENUTA	SEALRING	BAGUE D'ETANCHEITÉ	DICHTRING
32	01	19900532	CUSCINETTO	BEARING	ROULEMENT	LAGER
33	01	15273065	ALBERO	SHAFT	ARBRE	WELLE
34	01	15275070	BOCCOLA	BUSH	DOUILLE	BÜCHSE
35	02	19955525	ANELLO ELASTICO	LOCKRING	ARRETOIR	SCHERUNGSRING
36	02	19900326	CUSCINETTO	BEARING	ROULEMENT	LAGER
37	01	15275008	ALBERO	SHAFT	ARBRE	WELLE
38	01	15273066	ALBERO	SHAFT	ARBRE	WELLE
39	01	19952569	VITE	DOWEL	ERGOT	PASSTIFT
40	01	19954208	DADO	NUT	ECROU	MUTTER
41	01	15274013	PERNO	PIN	AXE	STIFT

Tab. 20 – AZIONAMENTO BARRA C. - CENTRAL BAR MOVEMENT - MOUVEMENT DE LA BARRE - MÄHBALKEN BETRIEB (cod. 1231.)

REF.	Q.	COD.	DESCRIZIONE	DESCRIPTION	DESCRIPTION	BENENNUNG
42	01	19956204	INGRASSATORE	GREASE NIPPLE	GRAISSEUR	SCHMIERNIPPEL
43	01	19956166	RONDELLA	PLAIN WASHER	RONDELLE	SCHEIBE
44	01	19952706	VITE	SCREW	VIS	SCHRAUBE
45a	01	15271029	GUIDALAMA	BLADE DRIVE	GUIDE-LAME	MESSERFÜHRUNG
45b	01	15271034	GUIDALAMA (ESM)	BLADE DRIVE (ESM)	GUIDE-LAME (ESM)	MESSERFÜHRUNG (ESM)
46	01	19954255	DADO	NUT	ECROU	MUTTER
47	02	15274030	VITE REGISTRO	ADJUSTMENT SCREW	VIS DE REGLAGE	STELLSCHRAUBE
48	02	15274019	PATTINO REGISTRO	SLIDING SHOE	PATIN	GLEITSTÜCK
49	01	15274020	CILINDRO	BUSHING	BARILLET	ZYLINDER
50	02	19952605	VITE	SCREW	VIS	SCHRAUBE
51	04	19955273	ROSETTA ELASTICA	SPRING WASHER	RONDELLE ELASTIQUE	FEDERSCHEIBE