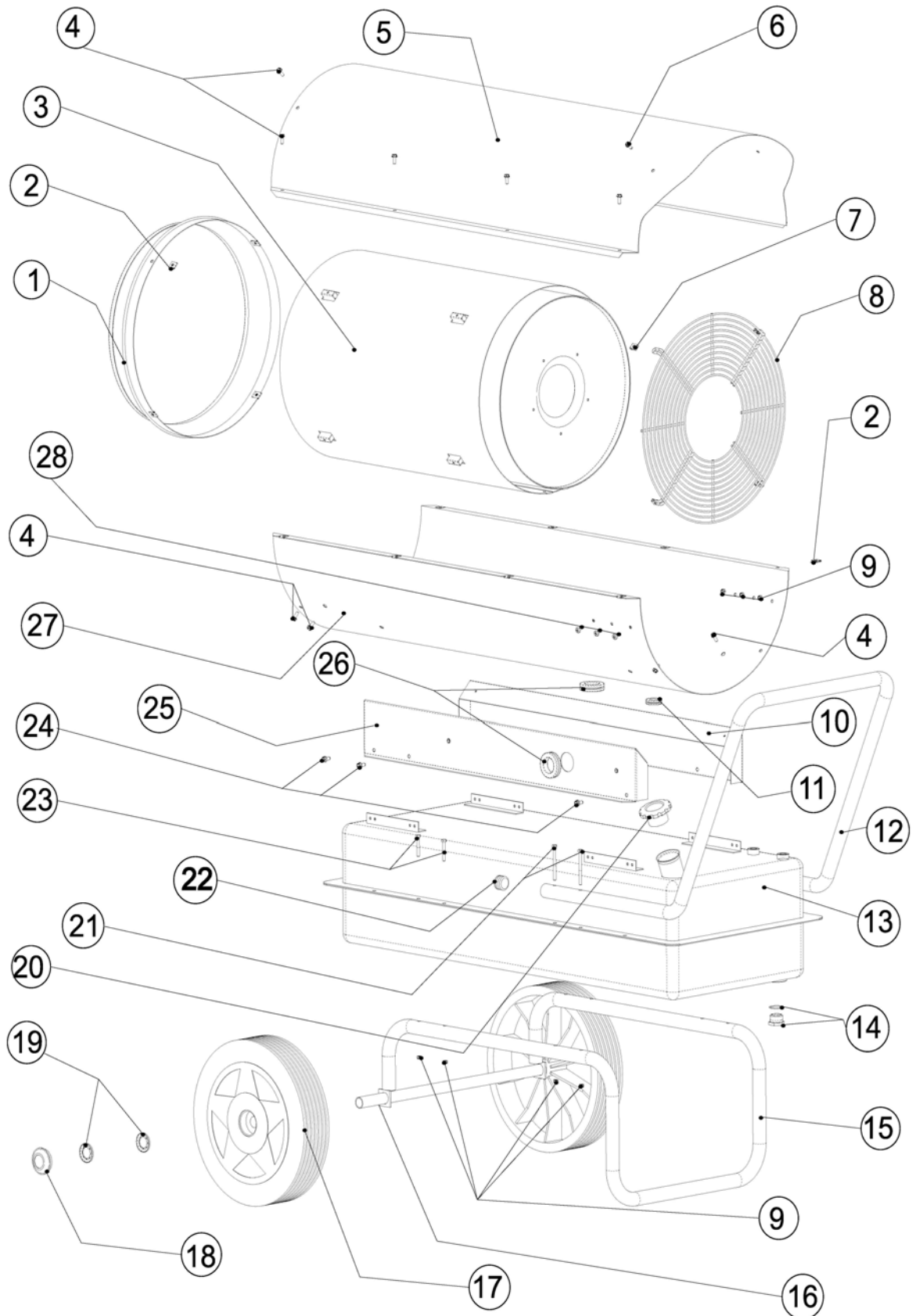


# DIRECT FIRED FORCED AIR HEATERS

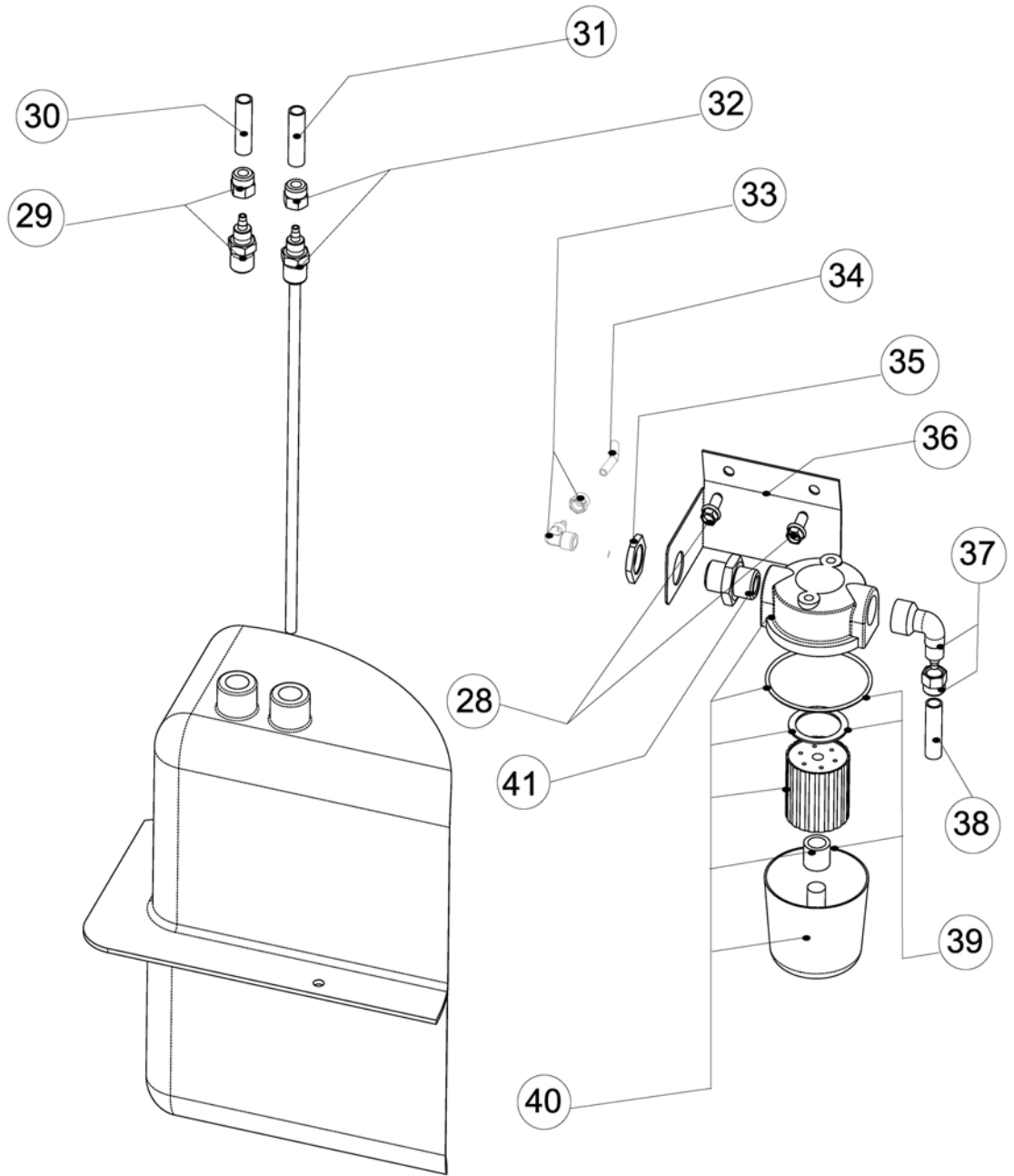
## *Illustrated Parts Lists*





**MODEL DD 65 BODY****PARTS LIST**

<b>Key No.</b>	<b>Part number</b>	<b>Description</b>
1	4111.233	OUTLET CONE
2	4104.170	CLIP NUT
3	4111.236	COMBUSTION CHAMBER COMPLETE
4	4109.590	SCREW TEFR 4,8X13 W/OUT TIP
5	4111.231	UPPER BODY
6	4110.124	SCREW TEFR 4,8X13 WITH TIP ZNB
7	4111.241	DOUBLE PLATE FOR SCREWS
8	4111.239	REAR INLET GRILL
9	4110.143	NUT M5 HEXAGONAL
10	4111.229	BASE
11	4160.646	BUSHING PVC BLACK
12	4111.129	FRAME HANDLE
13	4110.625	FUEL TANK
14	4031.013	DRAIN PLUG
15	4111.131	FRAME BEARING
16	4111.133	AXLE WHEELS
17	4110.978	WHEEL BLACK D.300
18	4110.129	PLUG WHEEL BLACK
19	4111.072	WHEEL HOLDER 20 mm
20	4110.962	TANK PLUG BLACK
21	4111.078	SCREW TE M5X60
22	4111.057	PLUG PVC BLACK
23	4111.077	SCREW TE M5X35
24	4110.517	SCREW TE F/R 5,5X13
25	4111.227	BASE SX
26	4111.056	BUSHING PVC BLACK
27	4111.232	LOWER BODY
28	4160.995	SCREW TCC M5X10



---

**MODEL DD 65 FILTER**

---

**PARTS LIST**

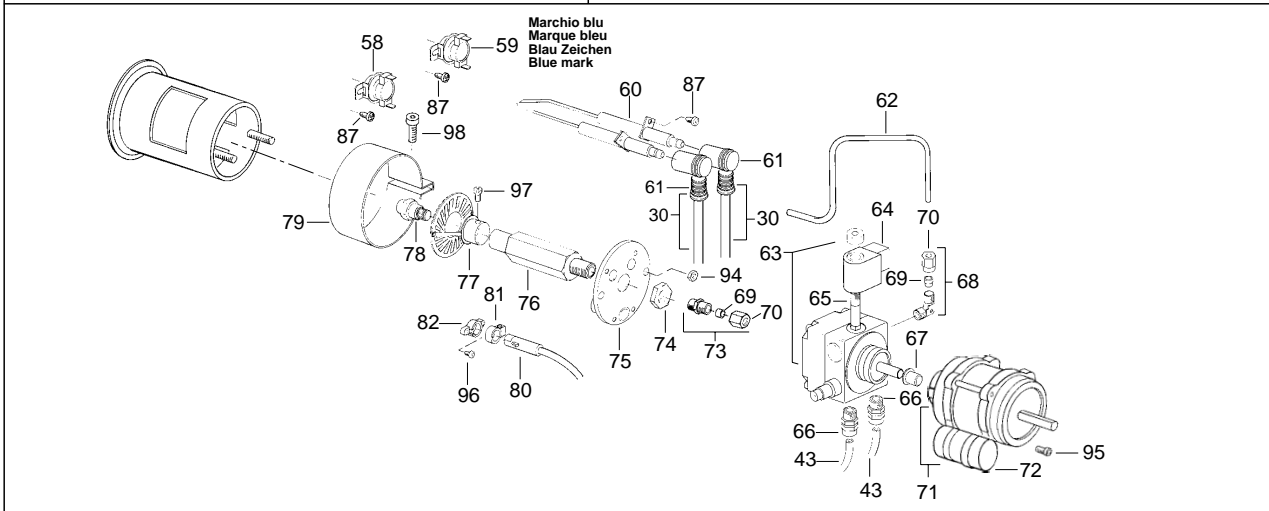
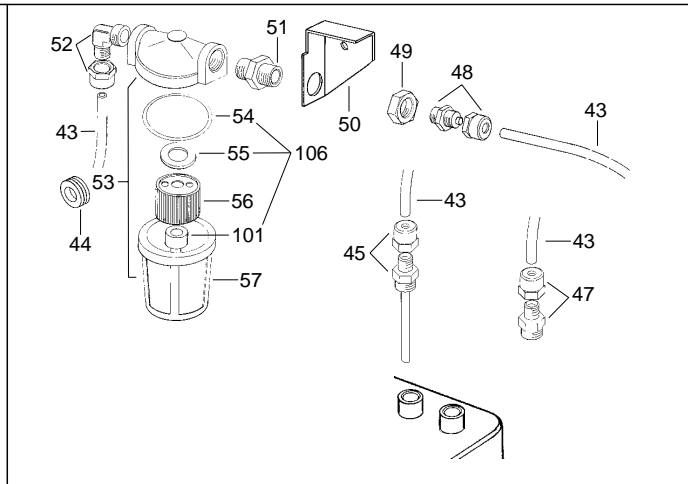
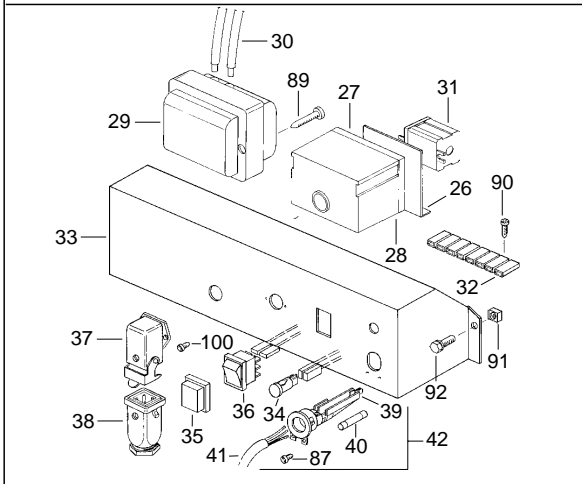
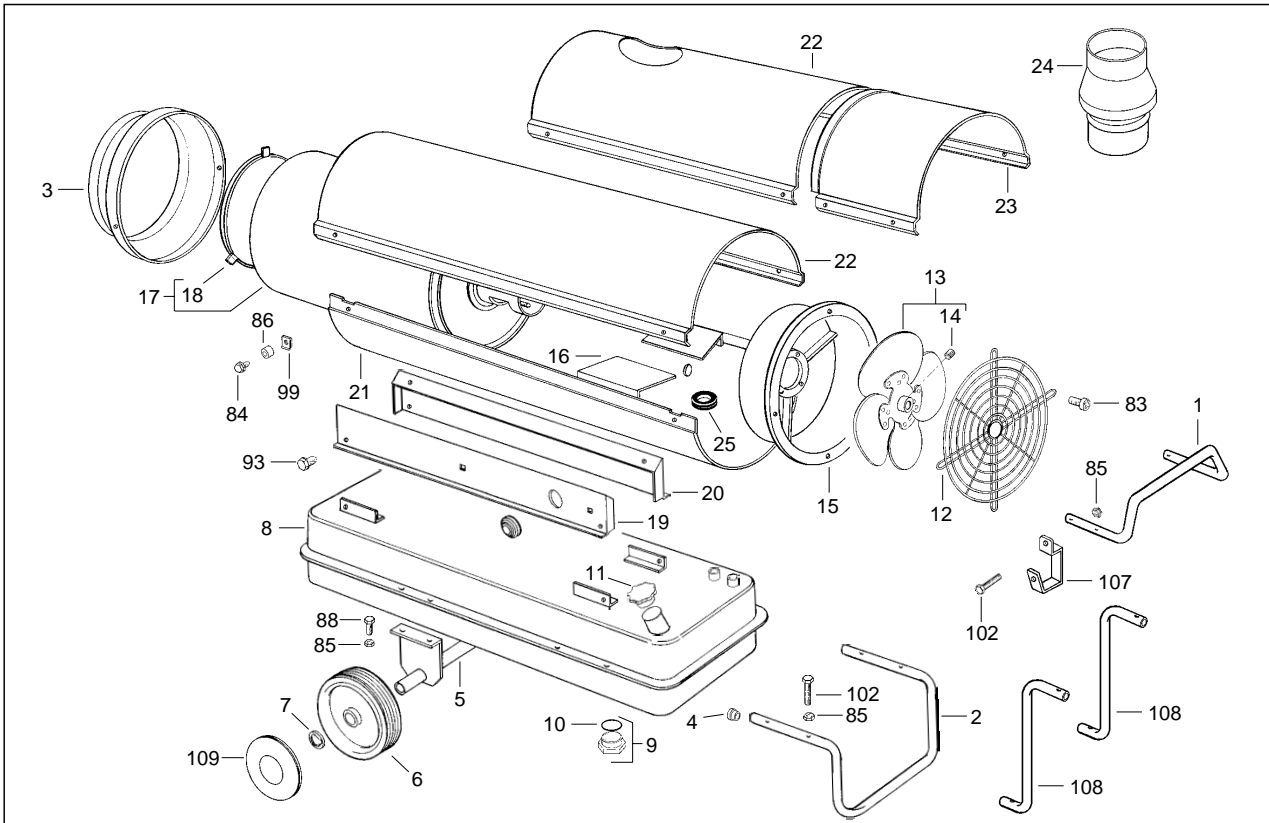
---

<b>Key No.</b>	<b>Part number</b>	<b>Description</b>
28	4160.995	SCREW TCC M5X10
29	4031.160	CONNECTOR
30	4111.050	FUEL PIPE 6MM POMP-TANK
31	4111.026	FUEL PIPE 6MM TANK-FILTER
32	4031.148	PIPE CONN. 1/4" MX6
33	4111.273	CONNECTION
34	4111.043	FUEL PIPE 6MM FILTER-POMP
35	4031.800	NUT 3/8"X5 BRASS
36	4111.046	FILTER SUPPORT BLACK
37	4031.803	CONNECTION 90 DGR 3/8 MX6
38	4111.026	FUEL PIPE 6MM TANK-FILTER
39	4111.116	KIT FILTER PACKINGS
40	4111.045	FILTER COMPLETE
41	4031.802	DUBBLE SCREW

# Spareparts VENTED HEATERS

MODEL DI 30 - DI 50 - DI 80

ILLUSTRATED PARTS BREAKDOWN



## Spareparts VENTED HEATERS from 2002

Pos.	Description	DI 30	DI 50	DI 80
<b>MAIN BODY</b>				
1	FRAME HANDLE	4031.905	S/R	S/R
2	FRAME BEARING	S/R	S/R	S/R
3	OUTLET CONE	S/R	S/R	S/R
4	PLUG	S/R	S/R	S/R
5	AXLE	S/R	S/R	S/R
6	WHEEL 200 MM	4031.133	4031.133	-
6.1	WHEEL 250 MM	-	-	4031.134
7	WHEEL HOLDER 20 MM	4031.175	4031.175	-
7.1	WHEEL HOLDER 25 MM	-	-	4031.177
8	FUEL TANK	4031.004	4031.004	-
8.1	FUEL TANK	-	-	4031.006
9	DRAIN PLUG	4031.013	4031.013	4031.013
10	DRAIN PLUG OR	S/R	S/R	S/R
11	TANK PLUG	4110.962	4110.962	4110.962
12	REAR INLET GRILL	S/R	S/R	-
12.1	REAR INLET GRILL	-	-	4031.137
13.1	FAN 300MM 18 DGR	4031.270	-	-
13.2	FAN 300MM 27 DGR	-	4031.271	-
13.3	FAN 500MM 33 DGR	-	-	4031.272
14	GRUB SCREW	S/R	S/R	S/R
15	MOTOR SUPPORT	S/R	S/R	S/R
16	AIR FLAB	S/R	S/R	S/R
17.1	COMBUSTION CHAMBER	4031.273	-	-
17.2	COMBUSTION CHAMBER	-	4031.274	-
17.3	COMBUSTION CHAMBER	-	-	4031.276
18 F	LAME GUARD SHIELD	S/R	S/R	S/R
19	BASE SX	4031.903	S/R	4031.363
20	BASE DX	4031.904	S/R	4031.364
21	LOWER BODY	S/R	S/R	S/R
22	UPPER BODY	S/R	S/R	S/R
23	UPPER BODY (REAR)	S/R	S/R	S/R
24	CHIMNEY DIAM. 150 MM	4031.277	4031.277	4031.277
25	CABLE PROTECTION	S/R	S/R	S/R
83	SCREW TC M5X16	S/R	S/R	S/R
84	SCREW TE 10X1/2" FR	S/R	S/R	S/R
85	NUT M6	S/R	S/R	S/R
86	SLEEVE	S/R	S/R	S/R
88	SCREW TE M6X16	S/R	S/R	S/R
93	SCREW TE 14X1/2" FR	S/R	S/R	S/R
99	ELASTIC PLATE U42-032	S/R	S/R	S/R
102	SCREW TE M6X30	S/R	S/R	S/R
107	POWER CORD HOOK	S/R	S/R	S/R
108	SUPPORT BAR	-	-	S/R
109.1	YELLOW PLUG WHEEL DIAM.200MM	S/R	S/R	-
109.2	YELLOW PLUG WHEEL DIAM. 250MM	-	-	S/R

S/R = Parts Available by Special Request Only

## Spareparts VENTED HEATERS

Pos.	Description	DI 30	DI 50	DI 80
<b>CONTROL BOARD</b>				
26	CONTROL BOX SUPPORT	S/R	S/R	S/R
27	CONTROL BOX BASE LANDIS & GYR	4031.010	4031.010	4031.010
28	CONTROL BOX LANDIS & GYR	4031.005	4031.005	4031.005
29	TRANSFORMER H.T. 220 V	4031.035	4031.035	4031.035
30	H.T CABLE	4110.971	4110.971	4110.971
31	RELAY 65.31	4111.032	4111.032	4111.032
32	TERMINAL BOARD	S/R	S/R	S/R
33	ELECTR. COMP. DRAWER	4031.024	4031.024	4031.024
34	PILOT LAMP	4031.169	4031.169	4031.169
36	SWITCH MAN - AUT. WITH COVER	4160.637	4160.637	4160.637
37	SOCKET 4 PIN 90 DGR.	4031.088	4031.088	4031.088
38	PLUG 4 PIN CONNECTED ( 2&3 )	4150.696	4150.696	4150.696
39	CABLE FASTENER	S/R	S/R	S/R
40	FUSE 6 A ( 6 X 30)	4031.080	4031.080	-
40.1	FUSE 10 A ( 6 X 30)	-	-	4031.085
41	EL. WIRE WITH PLUG	S/R	S/R	S/R
42	EL. WIRE WITH PLUG & CABLE FASTENER	S/R	S/R	S/R
89	SCREW TC 8 X 1" 1/2"	S/R	S/R	S/R
90	SCREW TC 4 X 1/2"	S/R	S/R	S/R
91	NUT CLAMP M6	4031.215	4031.215	4031.215
92	SCREW TE M6 X 16	S/R	S/R	S/R
100	SCREW TC 4X 3/8"	S/R	S/R	S/R
<b>FILTER CONNECTION</b>				
43	FLEX FUEL PIPE DIAM 6MM	4031.140	4031.140	4031.140
44	CABLE PROTECTION	S/R	S/R	S/R
45	FUEL PICK UP TUBE	4031.148	4031.148	4031.148
47	CONNECTION STRAIGHT 1/4 " MX6	4031.160	4031.160	4031.160
48	CONNECTION STRAIGHT 1/8" MX6	S/R	S/R	S/R
49	NUT 3/8" X 5	4031.800	4031.800	4031.800
50	FILTER SUPPORT	4031.011	4031.011	4031.011
51	DOUBLE SCREW	4031.802	4031.802	4031.802
52	CONNECTION 90 DGR 3/8" MX6	4031.803	4031.803	-
52.1	CONNECTION STRAIGHT 3/8" MX6	-	-	4031.804
53	FILTER COMPLETE 3/8"	4031.070	4031.070	4031.070
54	FILTER O RING	4031.150	4031.150	4031.150
55	TOP SEAL OIL FILTER	4031.075	4031.075	4031.075
56	FILTER ELEMENT	4031.015	4031.015	4031.015
57	FILTER HOUSING	4031.180	4031.180	4031.180
101	LOWER OIL FILTER SEAL	4031.191	4031.191	4031.191
106	FILTER KIT	4111.116	4111.116	4111.116
<b>MOTOR &amp; BURNER PARTS</b>				
30	H.T CABLE	4110.971	4110.971	4110.971
58	COOL OFF THERMOSTAT (FAN)	4031.045	4031.045	4031.045

S/R = Parts Available by Special Request Only



## Spareparts VENTED HEATERS

Pos.	Description	DI 30	DI 50	DI 80
59	OVERHEAT THERMOSTAT (BLUE DOT)	4031.047	4031.047	4031.047
60	ELECTRODE	4031.095	4031.095	4031.095
61	CABLE CONNECTION 90 DGR	S/R	S/R	S/R
62	OIL SUPPLY PIPE ( DIAM 4 MM)	4031.106	4031.106	4031.106
62.1	OIL SUPPLY PIPE ( DIAM 4 MM) < 97	4031.105	4031.105	4031.105
63	DANFOSS PUMP	4031.197	4031.197	4031.197
63.1	SUNTEC PUMP < 95	4031.050	4031.050	4031.050
64	SPOOL DANFOSS	4031.019	4031.019	4031.019
64.1	SPOOL SUNTEC < 95	4031.300	4031.300	4031.300
65	VALVE DANFOSS	4031.195	4031.195	4031.195
65.1	VALVE SUNTEC < 95	4031.055	4031.055	4031.055
66	CONNECTION STRAIGH 1/4" MX6	4031.160	4031.160	4031.160
67	COUPLING K1	4031.060	4031.060	-
67.1	COUPLING K2	-	-	4031.065
68	CONNECTION 90 DGR 1/8" MX4	4031.096	4031.096	4031.96
69	BICONE 4 MM	4031.115	4031.115	4031.115
70	NUT FOR BICONE	4031.110	4031.110	4031.110
71.1	MOTOR 130 W	4031.130	-	-
71.2	MOTOR 200 W	-	4031.131	-
71.3	MOTOR 750 W	-	-	4031.125
72.1	CAPACITOR 5 UF	4031.165	-	-
72.2	CAPACITOR 6.3 UF	-	4031.304	-
72.3	CAPACITOR 16 UF	-	-	4031.166
73	CONNECTION STRAIGHT 1/8" MX6	4031.026	4031.026	4031.026
74	NUT M14	S/R	S/R	S/R
75	BURNER FLANGE	S/R	S/R	S/R
76	NOZZLE SUPPORT	4031.012	4031.012	4031.012
77	DIFFUSOR	4031.066	4031.066	4031.066
78.1	NOZZLE 0.65 GPH 80 DGR	4031.020	-	-
78.2	NOZZLE 1 GPH 80 DGR	-	4031.025	-
78.3	NOZZLE 1.50 GPH 80 DGR	-	-	4031.030
79	AIR REGULATION FLAP	4031.196	4031.196	-
79.1	AIR REGULATION FLAP	-	-	4031.007
80	PHOTO CELL	4031.090	4031.090	4031.090
81	PHOTOCELL CLAMP	4031.009	4031.009	4031.009
82	PHOTOCELL FLANGE	4031.008	4031.008	4031.008
87	SCREW TC 8X3/8"	S/R	S/R	S/R
94	NUT M5	S/R	S/R	S/R
95	SCREW	S/R	S/R	S/R
96	SCREW TC 6X1/2"	S/R	S/R	S/R
97	SCREW TC M4X8	S/R	S/R	S/R
98	SCREW TCEI M6X25	S/R	S/R	S/R

S/R = Parts Available by Special Request Only